



VENCE TUDO[®]

PARTS CATALOG



10/2021
Review 00

GRANOS TRUCK
10500 TO 16500 Série 03

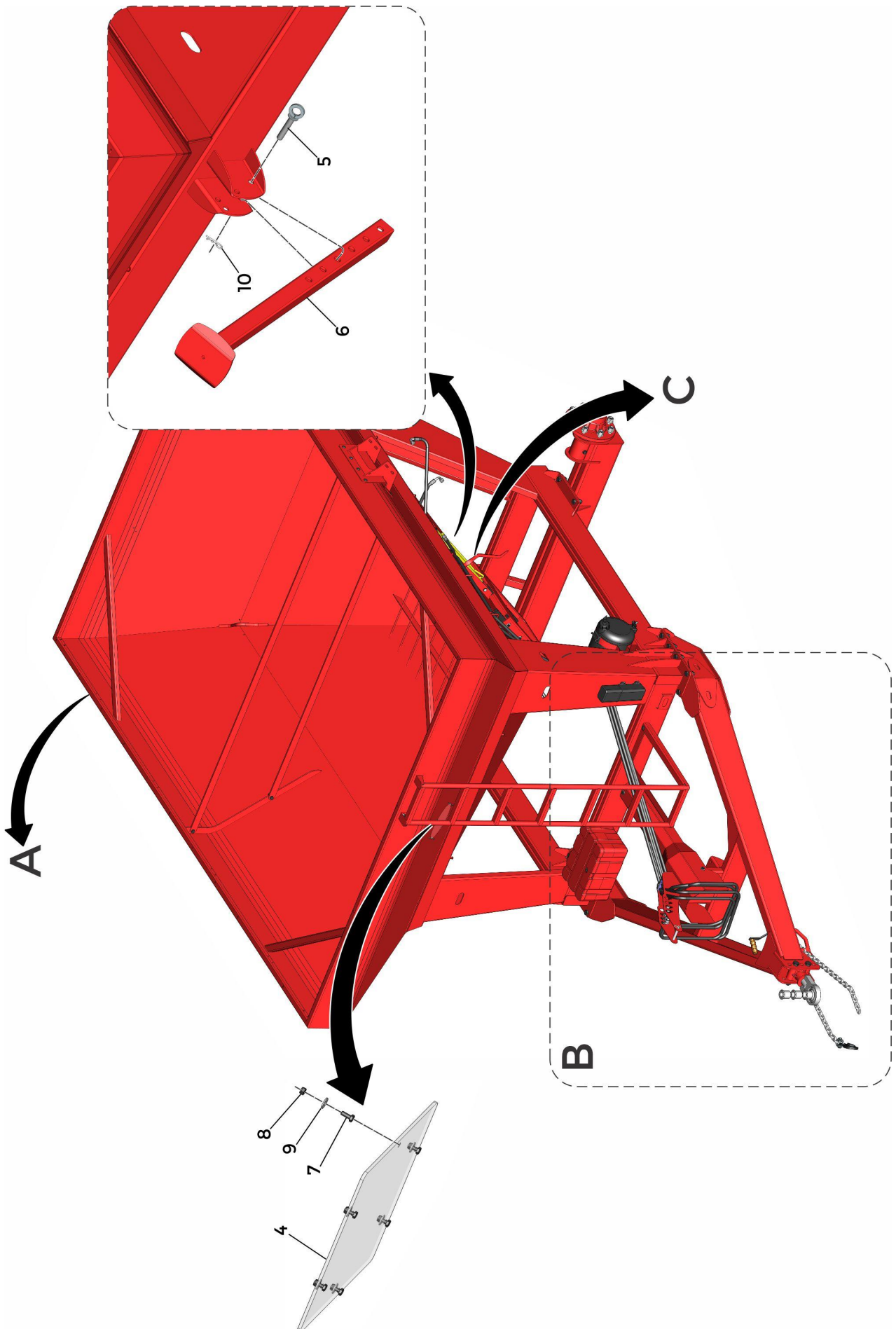


AB BASIC GRANOS 10500	6
AB BASIC GRANOS 10500	8
AB TOOLBOX	10
AB MANUAL DOOR	12
AB HUB	14
AB FRONT STAIRCASE 10500/12500/14500/16500	16
15L PLASTIC WATER BARREL (M-230U)BLACK	18
AB BED PIPE Ø400	20
AB WATER BARREL SOAP VALVE (M198-LP)	22
AB BASIC GRANOS 10500	24
AB FIXED HEADER TIP	26
AB CHAIN 2000mm (GRANOS 26000/33000)	28
AB GRANOS HOSES 10500/12500/14500/16500	30
AB TRANSMISSION PROTECTION	32
AB BASIC GRANOS 10500	34
AB PENSTOCK CLOSING	36
HYDRAULIC CYLINDER CLOSING 16500	38
OVER BOX	40
AB OVER BOX 12500	42
AB OVER BOX 14500	44
AB OVER BOX 16500	46
DISCHARGE PIPES	48
AB PIPE Ø400mm	50
SNAIL HYDRAULIC CYLINDER	52
AB BOTTOM SNAIL Ø400 (16500)	54
CT10032-ZH GEAR BOX	56
AB TOP SNAIL (16500)	58
AB PVC PIPE Ø300mm	60
AB TOP PIPE Ø300 PVC 10500 TO 16500	62
AB PVC PIPE Ø300 BOTTOM 10500 TO 16500	64
AB BOWS	66
AB TARP BOW (10500)	68
AB BOWS 12500 TO 16500	70
AB EASY TARP AND SLOPED OVERBOX	72
TRANSMISSIONS	74
AB SHAFT TRANSMISSION WITH CLUTCH SERIES 2500	76
AB SHAFT SERIES 2500-1.3/8" QUICK HITCH (1354mm CLOSED) (CN2553-4EP)	78
SHAFT SERIES 2500-1.3/8" QUICK HITCH X Ø35 HOLES TRV 12mm(CLOSED)	80
AB SHAFT TRANSMISSION WITH CLUTCH SERIES 2500	82
TIRES AND RIMS	84
AVAILABLE RIMS	86
TIRES AND AIR CHAMBERS	88
LABELS	90
AB LABEL KIT GRANOS STANDARD 10500 TO 16500	92
AB LABEL KIT GRANOS CART 10500	94
AB LABEL KIT GRANOS CART 12500	96
AB LABEL KIT GRANOS CART 14500	98
AB LABEL KIT GRANOS CART 16500	100



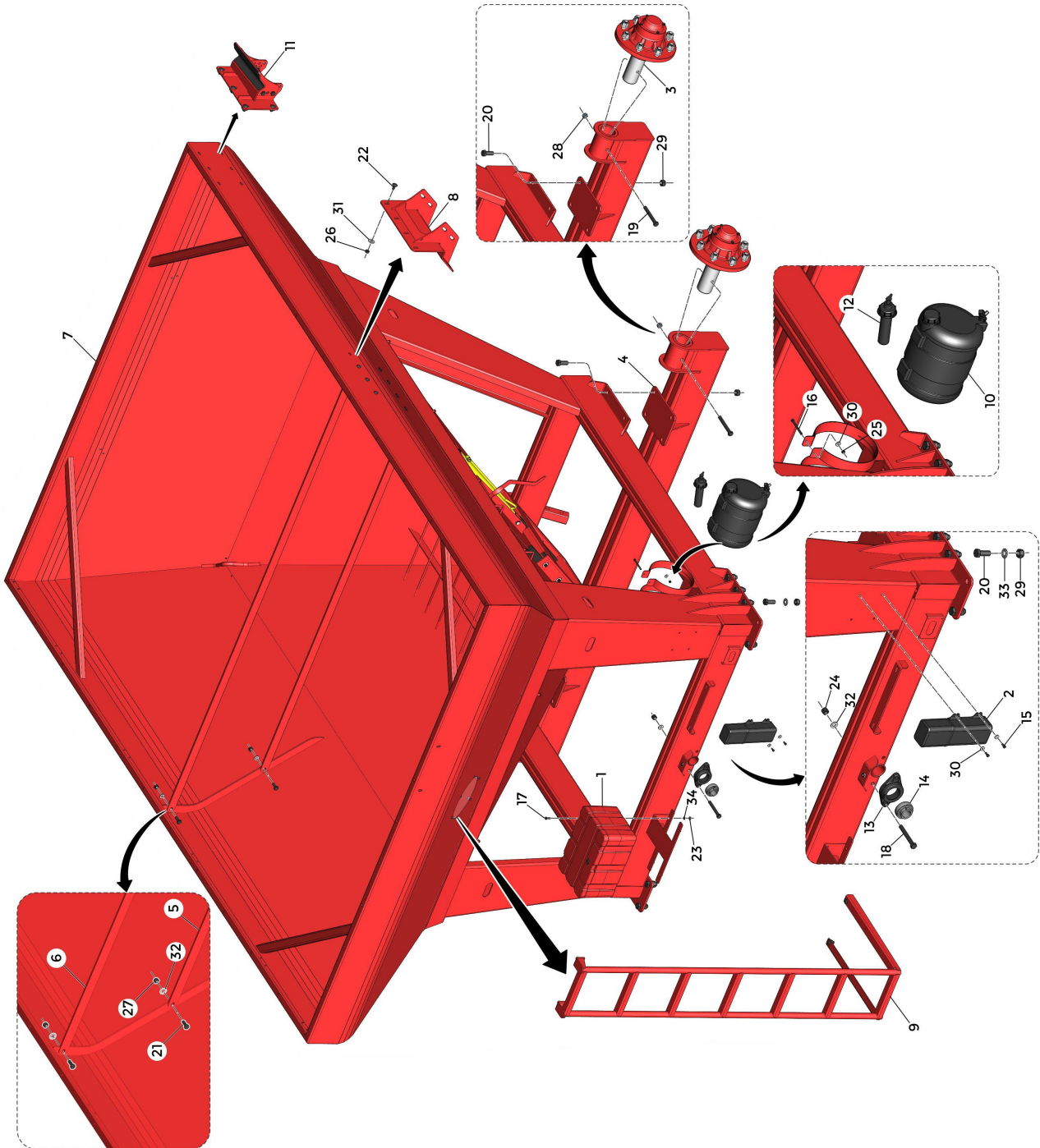


Item	Code	Name	Amount
1	773002000	AB BASIC GRANOS 10500	1
2	GR1-SOBRE CAIXA	OVER BOX	1
2	GR2-TUBOS	DISCHARGE PIPES	1
3	GR3-ARCOS	AB BOWS	1
4	GR4-ACIONA MENTOS	TRANSMISSIONS	1
5	GR6-PNEUS E AROS	TIRES AND RIMS	1
6	GR5-ADESIVO S	LABELS	1



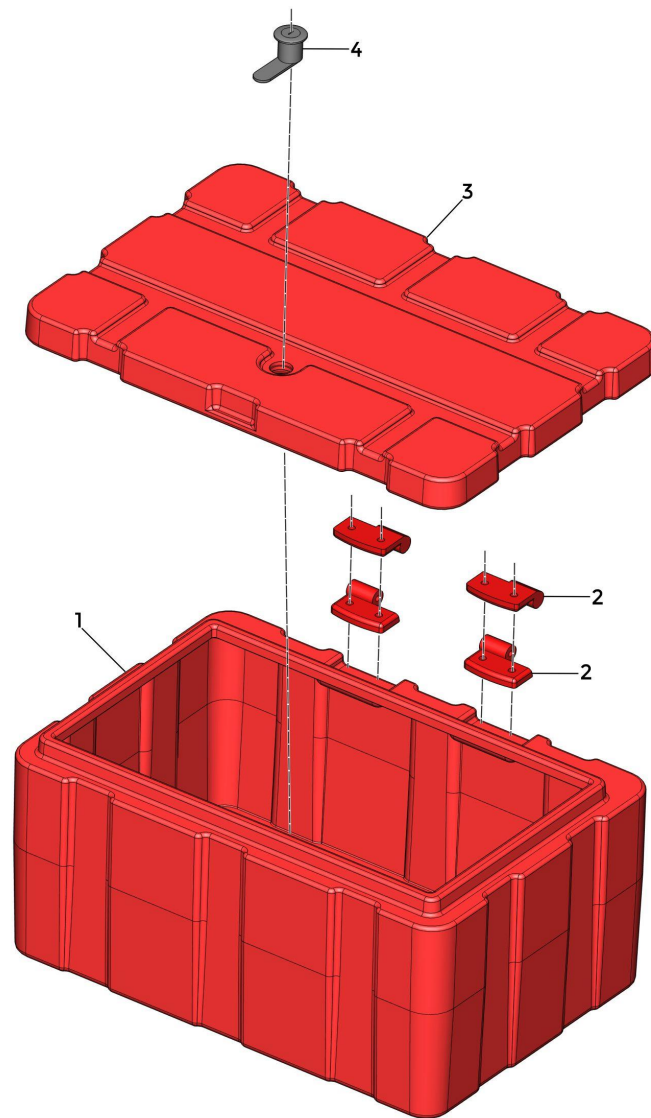


Item	Code	Name	Amount
1	GR1-DETALH E A	AB BASIC GRANOS 10500	1
2	GR2-DETALH E B	AB BASIC GRANOS 10500	1
3	GR3-DETALH E C	AB BASIC GRANOS 10500	1
4	310210293	ACRYLIC COVER	1
5	320520078	SB SUPPORT PIN	2
6	773120000	SB REAR SUPPORT LEG	1
7	901305016	HEX HEAD BOLT M6x1.0x16 - 8.8	11
8	920110601	HEX LOCK NUT M6 x 1.0	13
9	921010006	FLAT WASHER Ø6.4 x Ø18 x 1.5 DIN 9021 ZCA	13
10	922051236	LOCK PIN R 3.0 x 45 ZCA	2
11	773002000	AB BASIC GRANOS 10500	1



**GR1-DETALHE A - AB BASIC GRANOS 10500**

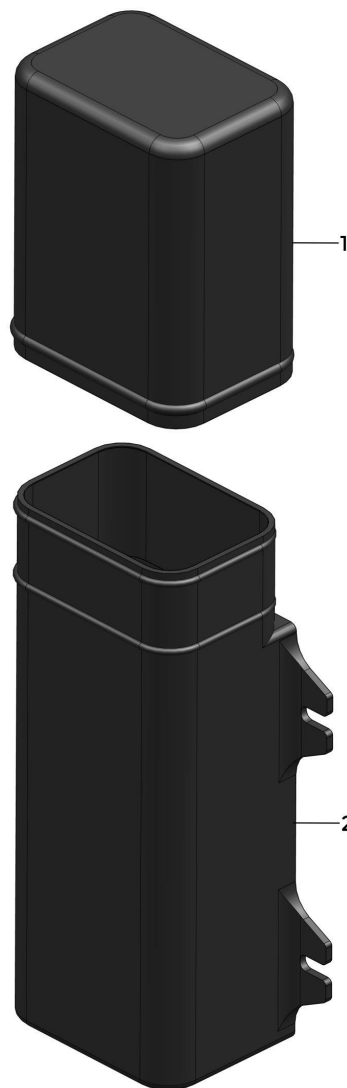
Item	Code	Name	Amount
1	028329	AB TOOLBOX	1
2	203140000	AB MANUAL DOOR	1
3	731000500	AB HUB	2
4	771012000	SB AXIS 10500/12500/14500/16500	1
5	773002032	BOTTOM TIE 10500	1
6	773002033	UPPER TIE 10500	1
7	773008000	SB BASE CHASSIS AND FUNNEL 10500	1
8	773014000	SB PIPE SUPPORT	1
9	773034000	AB FRONT STAIRCASE 10500/12500/14500/16500	1
10	773099000	15L PLASTIC WATER BARREL (M-230U)BLACK	1
11	773122000	AB BED PIPE Ø400	1
12	900100596	AB WATER BARREL SOAP VALVE (M198-LP)	1
13	900760043	BEARING FL-207 MDS	1
14	900760055	UC207 ROLLER BEARING	1
15	901305016	HEX HEAD BOLT M6x1.0x16 - 8.8	11
16	901305080	HEX BOLT M6x1.0x80 DIN 933 8.8 ZFP	2
17	901309025	HEX HEAD BOLT M8x1.25x25 - 8.8	4
18	901322120	HEX HEAD BOLT M14x1.5x120 DIN 960 8.8 ZFP	2
19	901324140	HEX HEAD BOLT M16x2.0x140 8.8	2
20	901332050	HEX BOLT M20x2.5x50 DIN 931 8.8 ZFP	24
21	901360057	HEX HEAD BOLTM14x2.0x35 DIN 933 8.8 ZFP	4
22	902312025	FRENCH BOLT M10x1.5x25 - 8.8	8
23	920000801	HEX NUT M8 x 1.25	4
24	920101401	HIGH HEX LOCK NUT M14x1.5 DIN EN ISO 10512 ZFP	2
25	920110601	HEX LOCK NUT M6 x 1.0	13
26	920111001	HEX LOCK NUT M10 x 1.5	16
27	920111401	HEX LOCK NUT M14 x 2.0 DIN EN ISO 10511 ZFP	4
28	920111603	AUTO LOCK HEX NUT STAINLESS STEEL M16 x 2.0	2
29	920112001	HEX LOCK NUT M20 x 2.5 DIN EN ISO 10511 ZFP	24
30	921010006	FLAT WASHER Ø6.4 x Ø18 x 1.5 DIN 9021 ZCA	13
31	921010010	FLAT WASHER Ø10.5 x Ø30 x 2 DIN 9021 ZCA	16
32	921030014	FLAT WASHER Ø15 x Ø28 x 2.5 DIN125A ZCA	6
33	921030020	FLAT WASHER Ø21xØ37x3 DIN 125A ZCA	24
34	921050008	SPRING LOCK WASHER B8	4
35	GR1-DETALH E A	AB BASIC GRANOS 10500	1





028329 - AB TOOLBOX

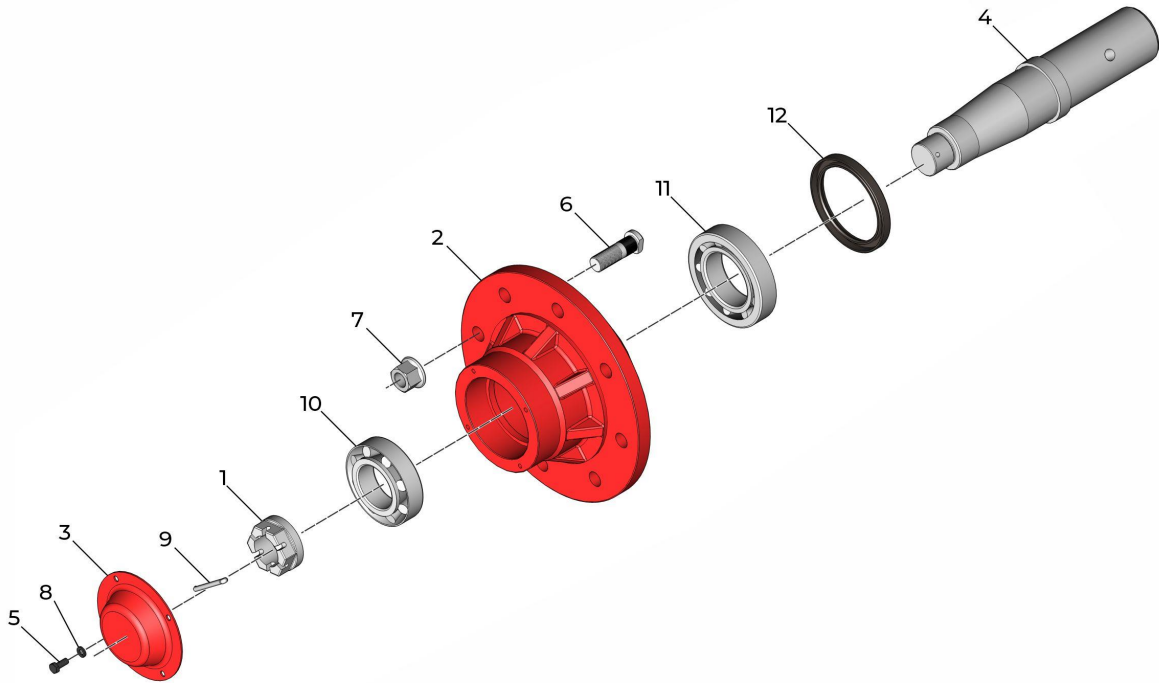
Item	Code	Name	Amount
1	028330	ACCESSORY BOX	1
2	028331	HINGE	4
3	028332	BOX COVER	1
4	028334	LOCK	1
5	028329	AB TOOLBOX	1





203140000 - AB MANUAL DOOR

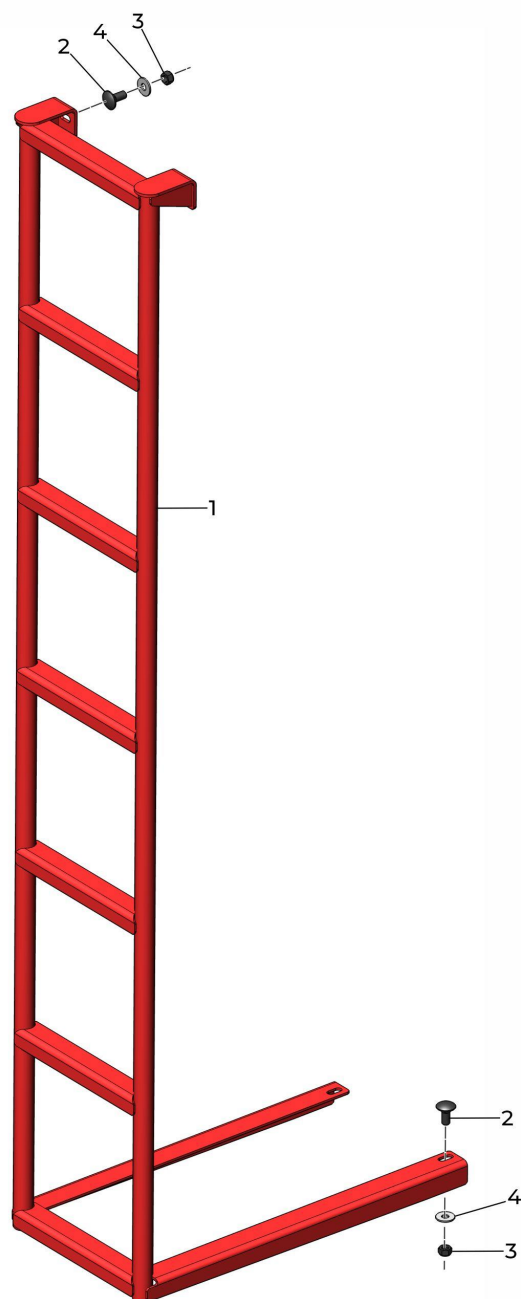
Item	Code	Name	Amount
1	900100418	MANUAL DOOR COVER	1
2	900100419	MANUAL DOOR	1
3	203140000	AB MANUAL DOOR	1





731000500 - AB HUB

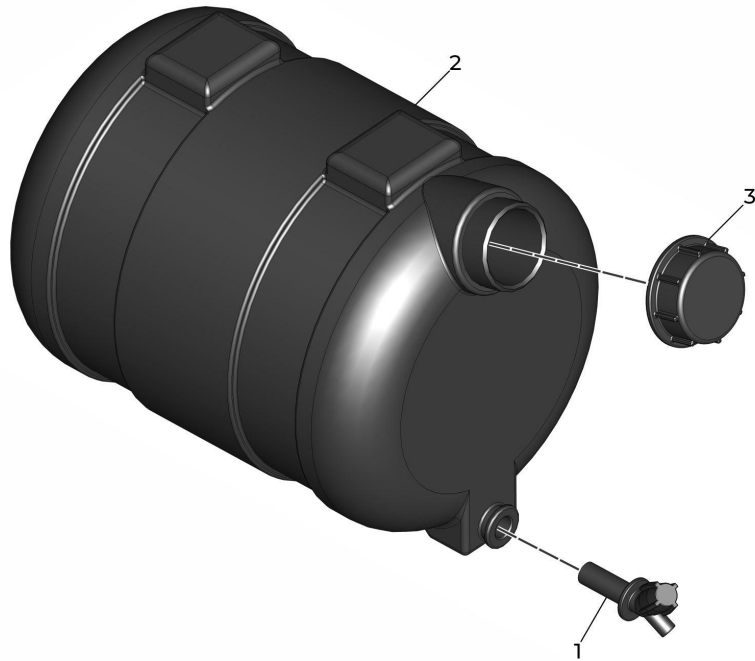
Item	Code	Name	Amount
1	100007004	NUT M48	1
2	731000501	HUB	1
3	731000502	COVER	1
4	731000550	SB AXIS	1
5	901309020	HEX HEAD BOLT M8x1.25x20 - 8.8	4
6	918438070	STUD BOLT M22x1.5x70 10.9	8
7	920512221	HEX FLANGE NUT M22 x 1.5 10.9 (SWIVEL) IN	8
8	921050008	SPRING LOCK WASHER B8	4
9	922172442	COTTER PIN 6 x 63 DIN94 ZCA	1
10	927055013	TAPERED ROLLER BEARING 32213	1
11	927055016	TAPERED ROLLER BEARING 32216	1
12	928010128	OIL SEAL 00516 BR 110 x 139.95 x 13	1
13	7310005000	AB HUB	1





773034000 - AB FRONT STAIRCASE 10500/12500/14500/16500

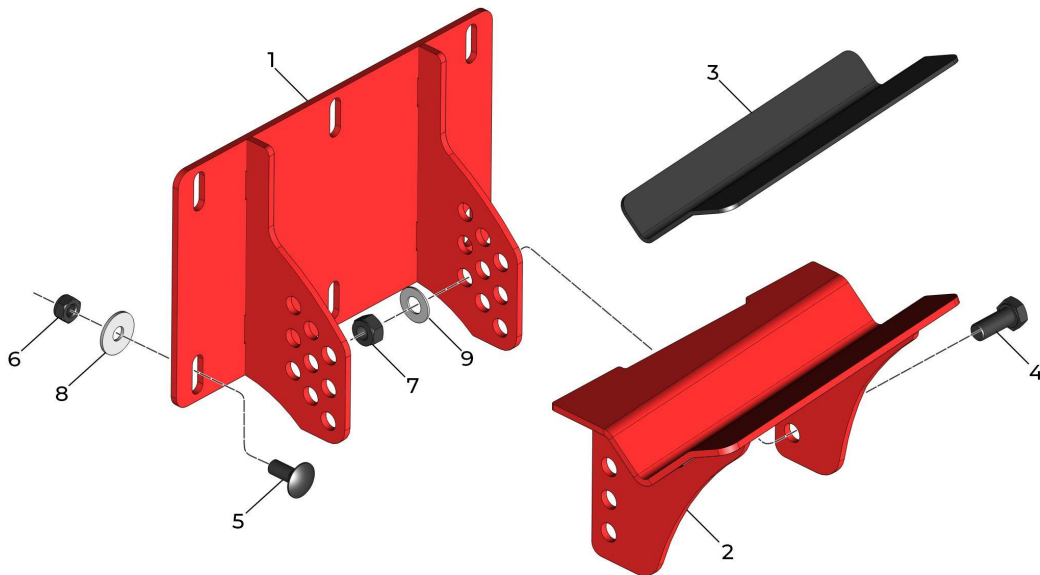
Item	Code	Name	Amount
1	773035000	SB FRONT STAIRCASE 10500/12500/14500/16500	1
2	902316030	CARRIAGE BOLT M12x1.75x30 DIN 603 8.8 ZFP x 10	4
3	920111201	HEX LOCK NUT M12 x 1.75	4
4	921040073	FLAT WASHER Ø12.5 x Ø30 x 2 ZCA	4
5	773034000	AB FRONT STAIRCASE 10500/12500/14500/16500	1





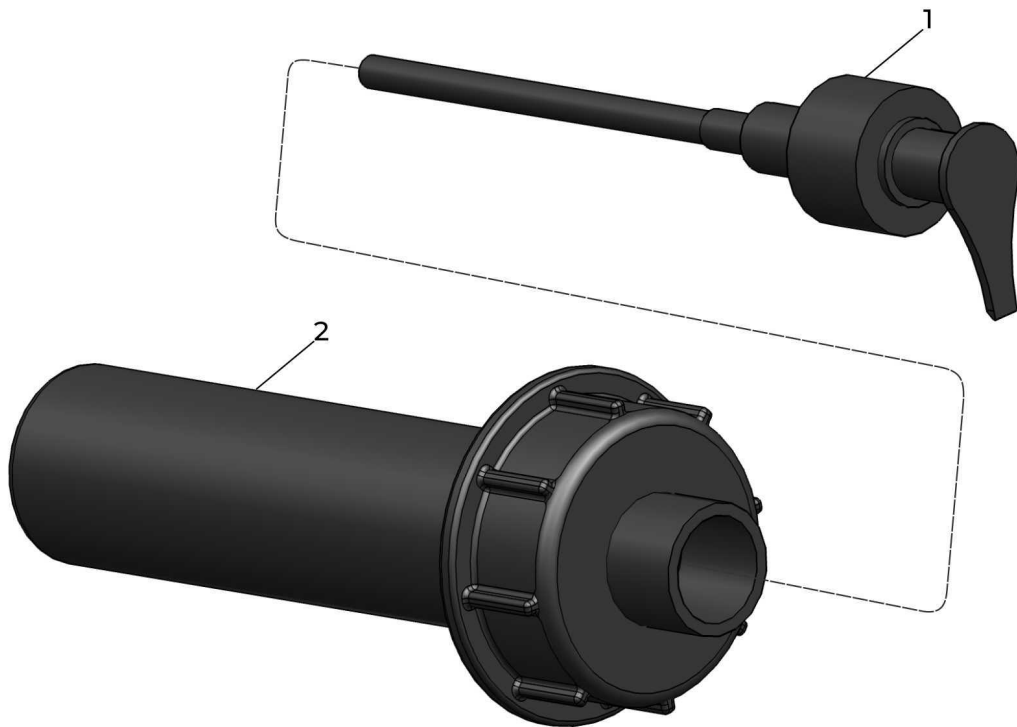
773099000 - 15L PLASTIC WATER BARREL (M-230U)BLACK

Item	Code	Name	Amount
1	900100586	BARREL TAP	1
2	900100588	BARREL 15L	1
3	900100595	HOPPER COVER	1
4	773099000	15L PLASTIC WATER BARREL (M-230U)BLACK	1





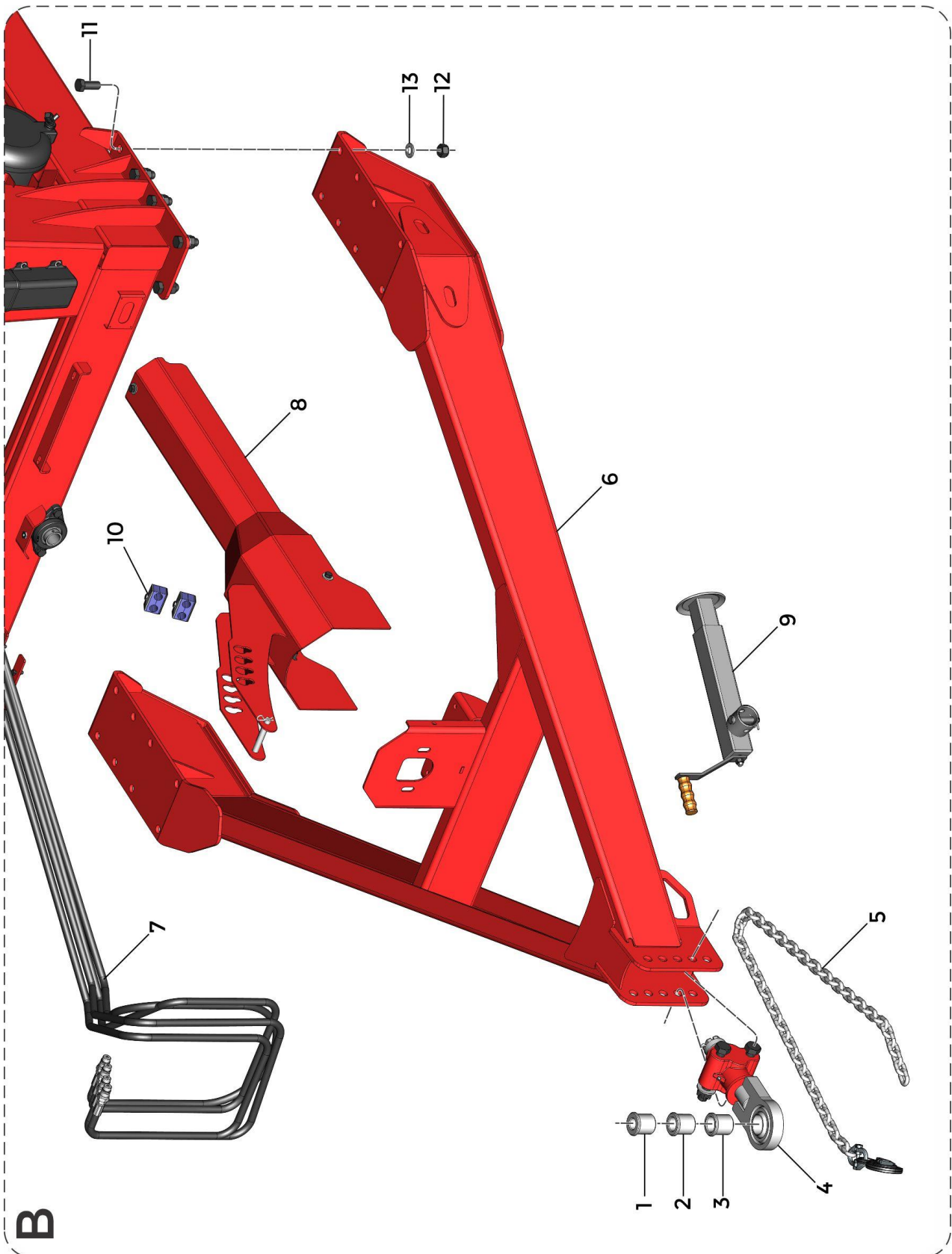
Item	Code	Name	Amount
1	035830	SB PIPE BED BASE	1
2	773121000	SB PIPE BED Ø400	1
3	773122001	BED BACKREST	1
4	901317030	HEX BOLT M12x175x30 - 8.8	4
5	902312025	FRENCH BOLT M10x1.5x25 - 8.8	6
6	920111001	HEX LOCK NUT M10 x 1.5	6
7	920111201	HEX LOCK NUT M12 x 1.75	4
8	921010010	FLAT WASHER Ø10.5 x Ø30 x 2 DIN 9021 ZCA	6
9	921040015	FLAT WASHER Ø12.5xØ25x1.2	4
10	773122000	AB BED PIPE Ø400	1





900100596 - AB WATER BARREL SOAP VALVE (M198-LP)

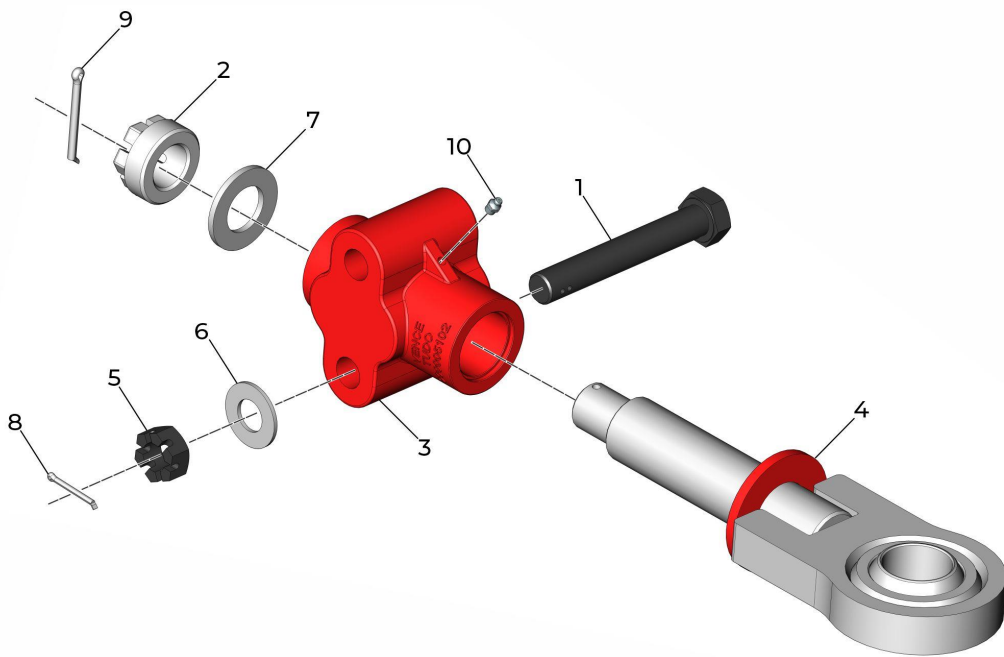
Item	Code	Name	Amount
1	900100587	SOAP VALVE	1
2	900100589	HOPPER COVER	1
3	900100596	AB WATER BARREL SOAP VALVE (M198-LP)	1





GR2-DETALHE B - AB BASIC GRANOS 10500

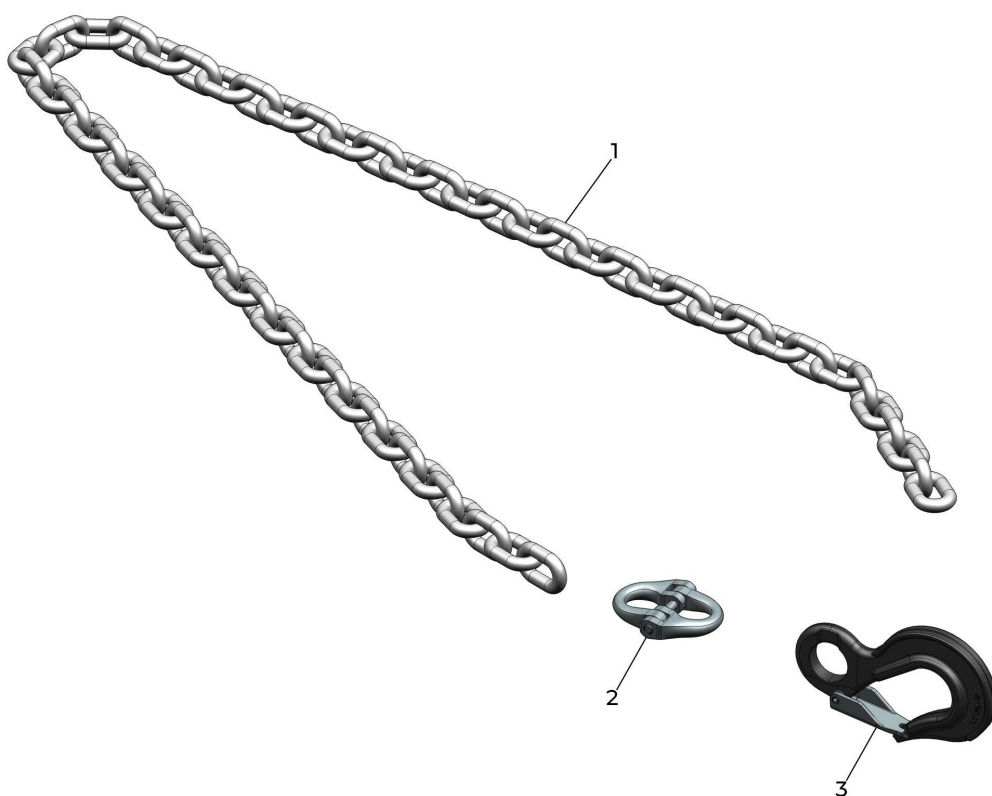
Item	Code	Name	Amount
1	200749003	BUSHING Ø 29.5	1
2	200749004	BUSHING Ø35.7	1
3	200749005	BUSHING Ø40	1
4	210245000	AB FIXED HEADER TIP	1
5	751005000	AB CHAIN 2000mm (GRANOS 26000/33000)	1
6	773003000	SB HEADER GRANOS 10500/12500/14500/16500	1
7	773053000	AB GRANOS HOSES 10500/12500/14500/16500	1
8	773054000	AB TRANSMISSION PROTECTION	1
9	773123000	SUPPORT LEG (RAL 277)	1
10	900160243	DOUBLE CLAMP FOR 20mm PIPE	2
11	901332050	HEX BOLT M20x2.5x50 DIN 931 8.8 ZFP	24
12	920112001	HEX LOCK NUT M20 x 2.5 DIN EN ISO 10511 ZFP	24
13	921030020	FLAT WASHER Ø21xØ37x3 DIN 125A ZCA	24
14	GR2-DETALH E B	AB BASIC GRANOS 10500	1





210245000 - AB FIXED HEADER TIP

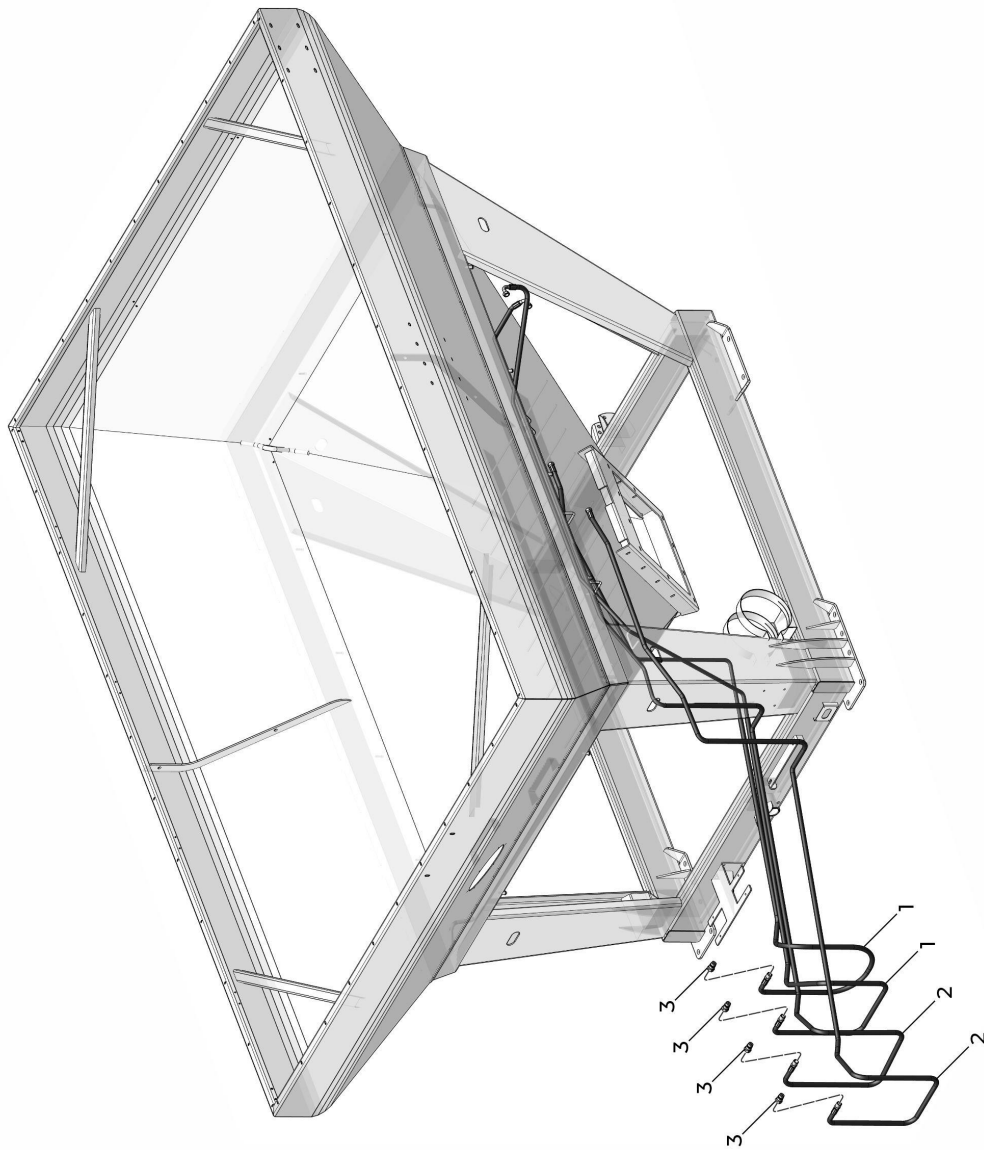
Item	Code	Name	Amount
1	063159	TIP FIXING BOLT	2
2	100007003	NUT M36	1
3	202021001	HITCH EYEBOLT	1
4	210247000	SB EYEBOLT FIXED TIP	1
5	920512403	CASTLE NUT M24 x 1,5 ESPECIAL ZFP	2
6	921040001	FLAT WASHER Ø25.5 x Ø50 x 3 ZCA	2
7	921040059	FLAT WASHER Ø37 x Ø65 x 4.75	2
8	922171834	COTTER PIN 4 x 38.1 DIN 94 ZCA	2
9	922172442	COTTER PIN 6 x 63 DIN94 ZCA	1
10	924080000	STRAIGHT GREASE NIPPLE M8 x 1	1
11	210245000	AB FIXED HEADER TIP	1





751005000 - AB CHAIN 2000mm (GRANOS 26000/33000)

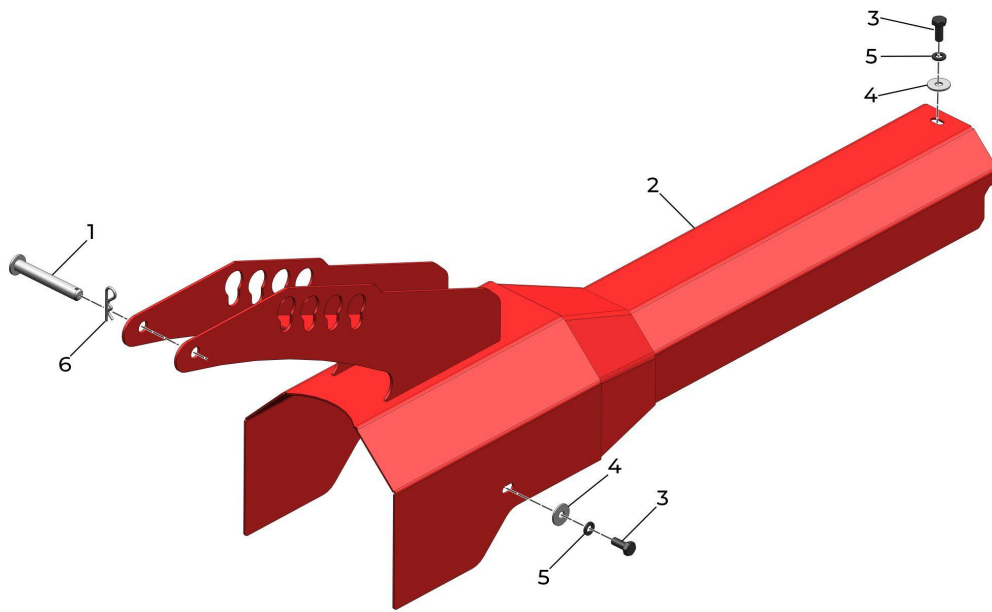
Item	Code	Name	Amount
1	751005001	STRAIGHT SHORT LINK 10 X 30	60
2	751005002	CONNECTING LINK	1
3	751005003	AB EYEBOLT HOOK AHK - 10	1
4	751005000	AB CHAIN 200mm	1





773053000 - AB GRANOS HOSES 10500/12500/14500/16500

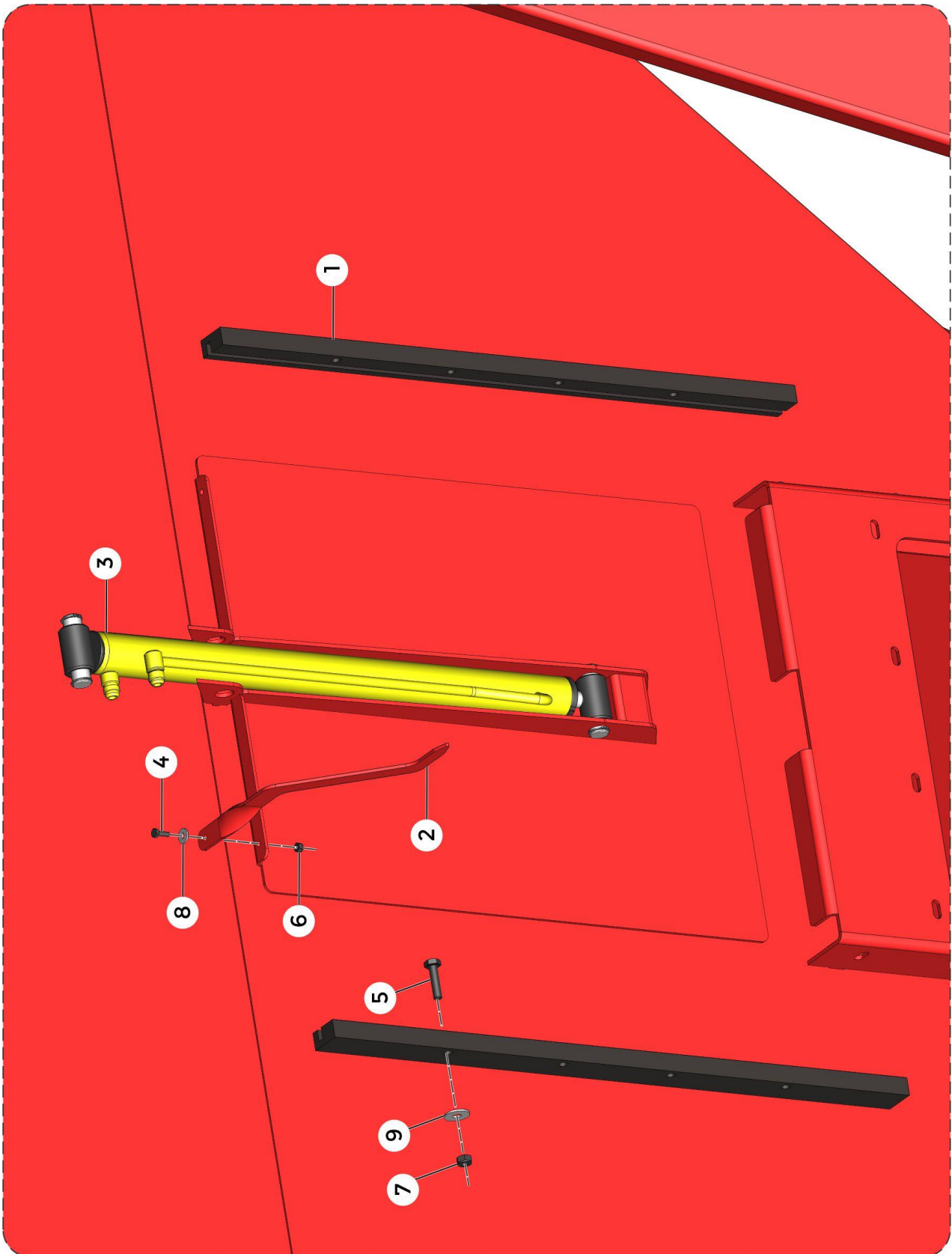
Item	Code	Name	Amount
1	773068000	AB HOSE 3/8" x 6500	2
2	773069000	AB HOSE 3/8" x 6000	2
3	932034101	MALE QUICK HITCH 1/2"	4
4	773053000	AB GRANOS HOSES 10500/12500/14500/16500	1





773054000 - AB TRANSMISSION PROTECTION

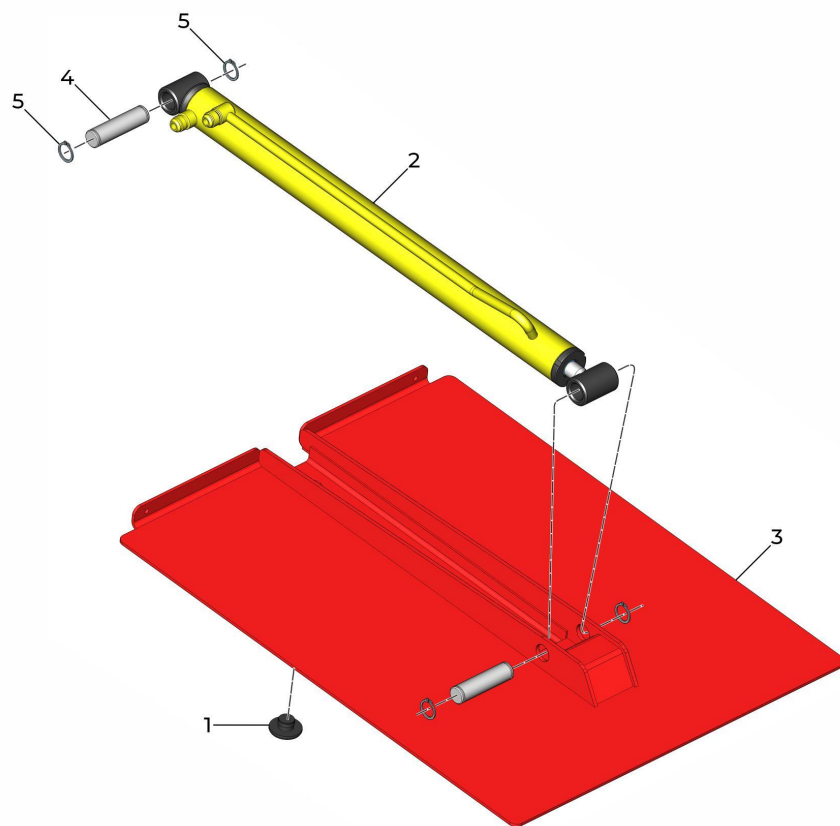
Item	Code	Name	Amount
1	721017000	SB TIRE PIN	1
2	773036000	SB TRANSMISSION PROTECTION	1
3	901313025	HEX HEAD BOLT M10x1.5x25 - 8.8	3
4	921010010	FLAT WASHER Ø10.5 x Ø30 x 2 DIN 9021 ZCA	3
5	921050010	SPRING LOCK WASHER B10	3
6	922051236	LOCK PIN R 3.0 x 45 ZCA	1
7	773054000	AB TRANSMISSION PROTECTION	1





GR3-DETALHE C - AB BASIC GRANOS 10500

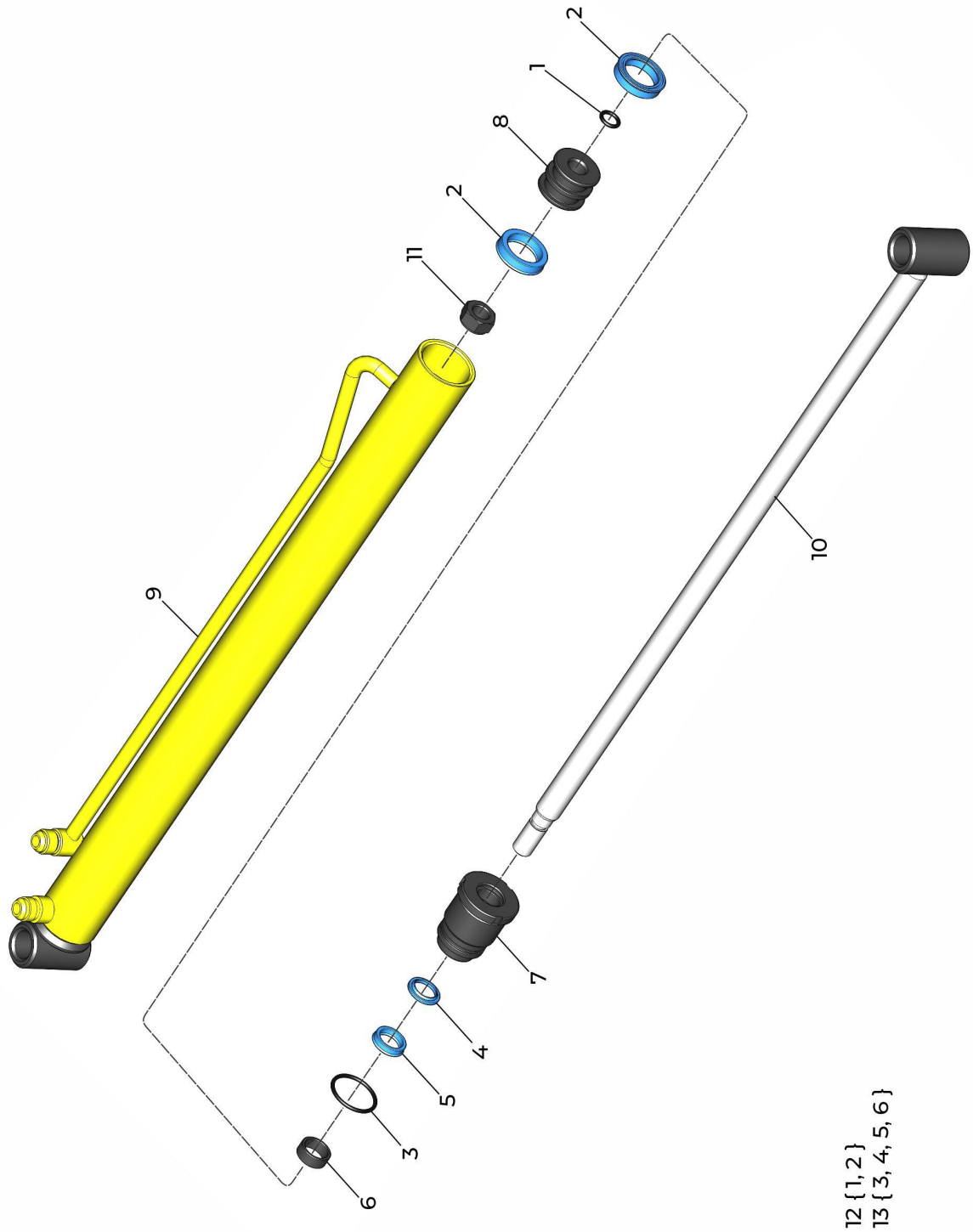
Item	Code	Name	Amount
1	773002030	GUIDE TO THE GRANOS PENSTOCK	2
2	773002036	HIGHLIGHTER	1
3	773025000	AB PENSTOCK CLOSING	1
4	901305016	HEX HEAD BOLT M6x1.0x16 - 8.8	11
5	901313040	HEX HEAD BOLT M10x1.5x40 - 8.8	8
6	920110601	HEX LOCK NUT M6 x 1.0	13
7	920111001	HEX LOCK NUT M10 x 1.5	16
8	921010006	FLAT WASHER Ø6.4 x Ø18 x 1.5 DIN 9021 ZCA	13
9	921010010	FLAT WASHER Ø10.5 x Ø30 x 2 DIN 9021 ZCA	16
10	GR3-DETALH E C	AB BASIC GRANOS 10500	1





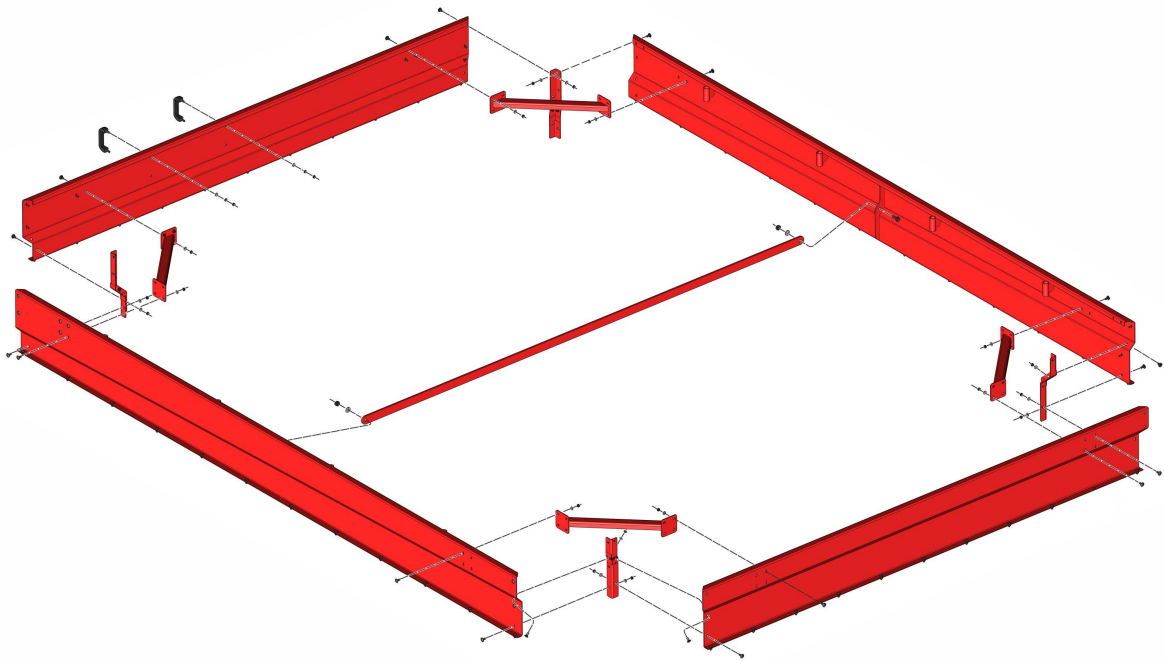
773025000 - AB PENSTOCK CLOSING

Item	Code	Name	Amount
1	203040008	SLIDER	1
2	660000000	HYDRAULIC CYLINDER CLOSING 16500	1
3	771049000	SB PENSTOCK	1
4	773025001	PIN Ø22.20 X 85mm	2
5	923101022	E22 DIN471 RETAINING RING	4
6	773025000	AB PENSTOCK CLOSING	1



**660000000 - HYDRAULIC CYLINDER CLOSING 16500**

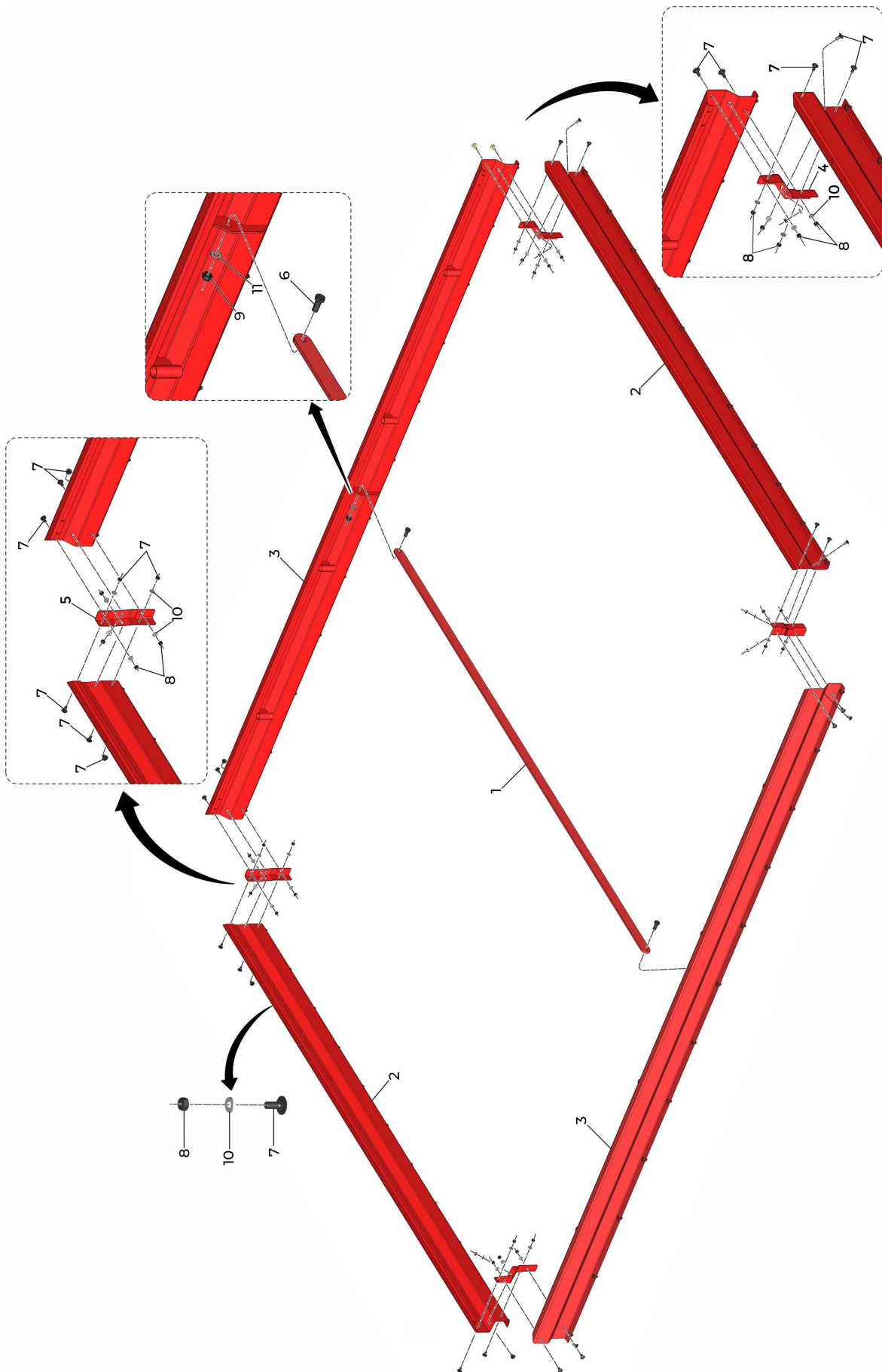
Item	Code	Name	Amount
1	932056694	O'RING 2.62 X 12.37 X 17.61 (2112)	1
2	932056864	GASKET (6-19701181354)30.00x40.00x9.00 x 2	2
3	932056609	O'RING Ø 34.59x2.62 2126 (PARKER) x 2	2
4	932056722	SCRAPER RING 20.00 X 27.15 X 2.50 (66D -0787)	1
5	932056863	GASKET(6-11800787256)20.00x26.00x6.50	1
6	932058127	GUIDE RING(WR Ø20 x Ø25 x 9.7) x 2	2
7	660000001	TG. Ø20 X Ø40 X 60mm	1
8	660000002	PLUNGER Ø40 x Ø16 x 29,5mm	1
9	660000100	SB CLOSING PIPE 16500	1
10	660000400	SB CLOSING ROD 16500	1
11	920111602	SEX NUT AUTOTRAV M16 x 1.5 DIN EN ISO 10511 ZFP	1
12	011072	Ø40 X Ø16 PLUNGER SEALING KIT ("GASKET / GASKET")	1
13	016536	AB SEAL KIT TG Ø40 X Ø20("SCRAPER / GASKET / GUIDE" - "WITHOUT_BACKUP")	1
14	660000000	HYDRAULIC CYLINDER CLOSING 16500	1





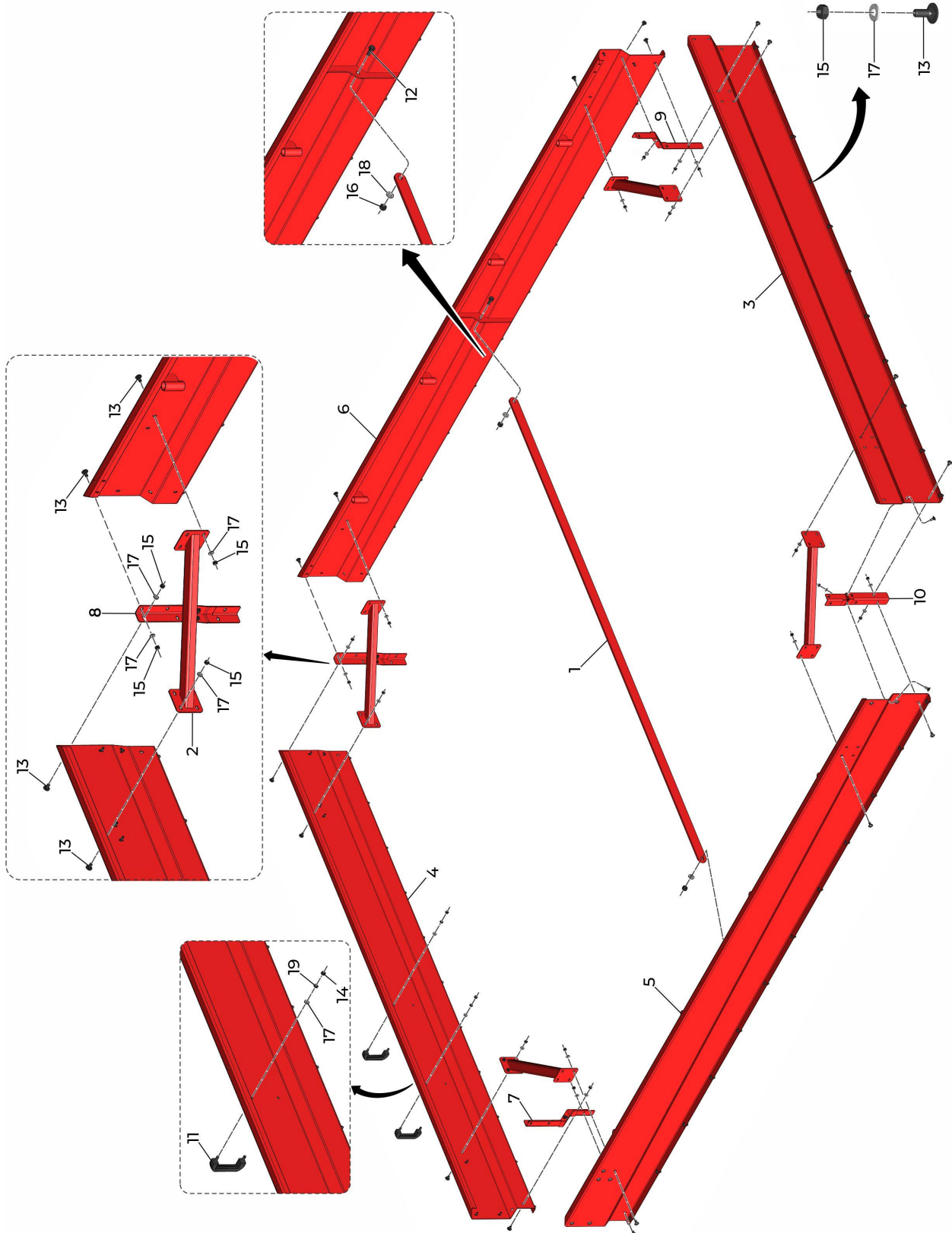
GR1-SOBRE CAIXA - OVER BOX

Item	Code	Name	Amount
1	773090000	AB OVER BOX 12500	1
2	773082000	AB OVER BOX 14500	1
3	773073000	AB OVER BOX 16500	1



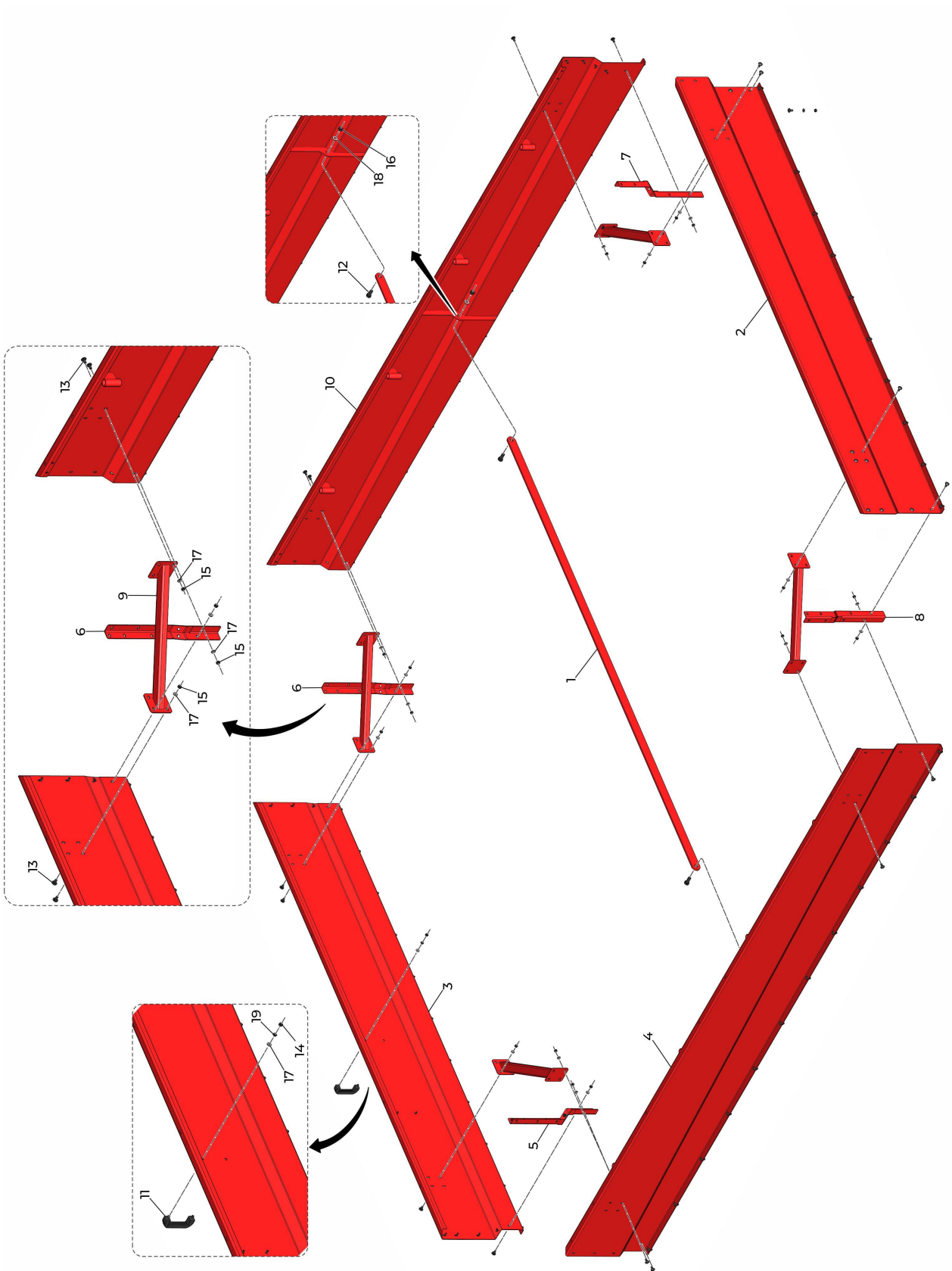


Item	Code	Name	Amount
1	773039002	TIRE OVER BOX 12500/14500/16500	1
2	773090001	FRONT/REAR PLATE OVER BOX 12500	2
3	773091000	SB RIGHT/LEFT SIDE OVER BOX 12500	2
4	773093000	SB RIGHT CONNECTING LINK OVER BOX 12500	2
5	773094000	SB LEFT CONNECTING LINK OVER BOX 12500	2
6	901360057	HEX HEAD BOLTM14x2.0x35 DIN 933 8.8 ZFP	2
7	902308020	CARRIAGE BOLT M8x1.25x20 - 8.8	70
8	920110801	HEX LOCK NUT M8 x 1.25	70
9	920111401	HEX LOCK NUT M14 x 2.0 DIN EN ISO 10511 ZFP	2
10	921030008	FLAT WASHER Ø8.4 x Ø17 x 1.5	70
11	921030014	FLAT WASHER Ø15 x Ø28 x 2.5 DIN125A ZCA	2
12	773090000	AB OVER BOX 12500	1



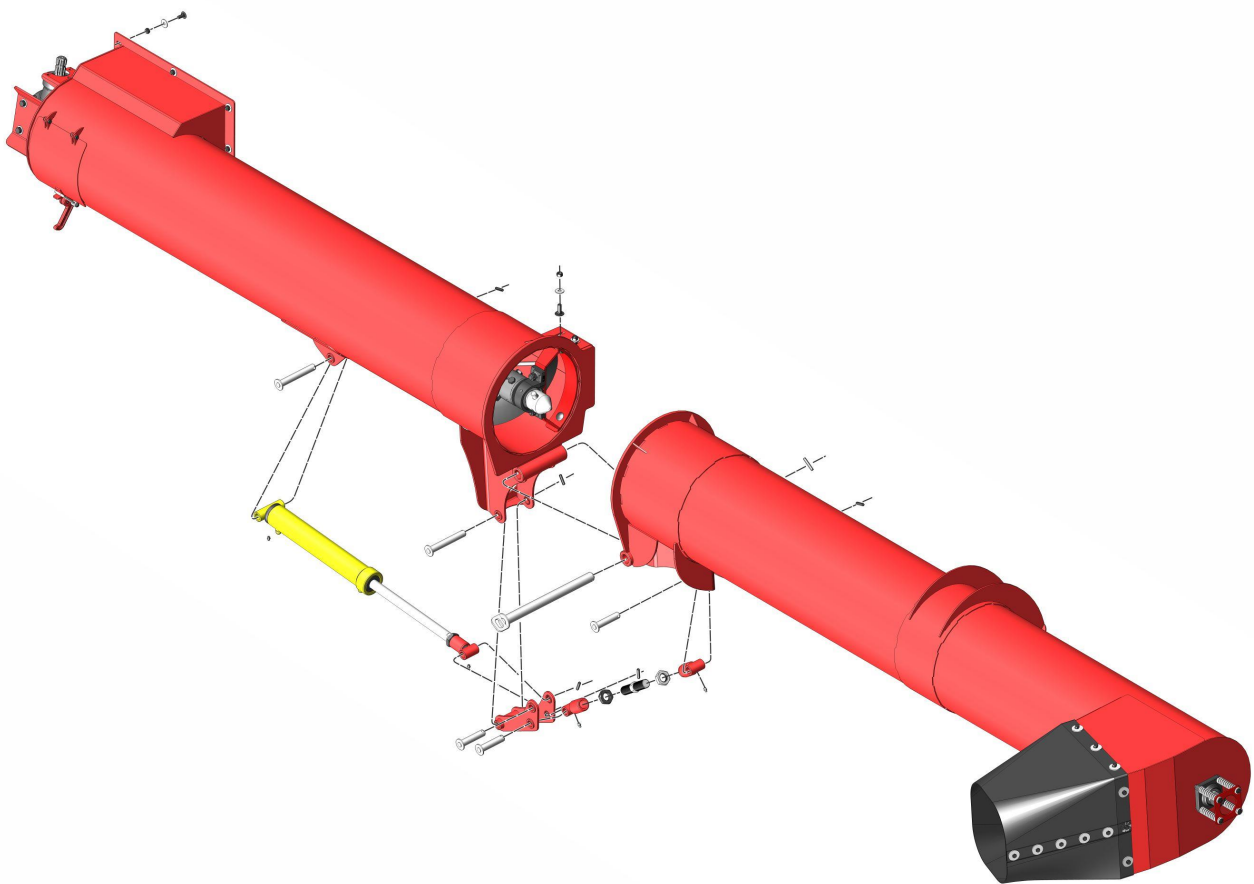


Item	Code	Name	Amount
1	773039002	TIRE OVER BOX 12500/14500/16500	1
2	773080000	SB CORNER REINFORCEMENT	4
3	773082001	REAR OVER BOX 14500	1
4	773082002	FRONT OVER BOX 14500	1
5	773083000	SB RIGHT/LEFT SIDE OVER BOX 14500	1
6	773084000	SB RIGHT SIDE OVER BOX 14500	1
7	773085000	SB LEFT CONNECTING LINK OVER BOX 14500	1
8	773086000	SB RIGHT FRONT CONNECTING LINK OVER BOX 14500	1
9	773087000	SB RIGHT REAR CONNECTING LINK OVER BOX 14500	1
10	773089000	SB LEFT REAR CONNECTING LINK OVER BOX 14500	1
11	900100043	HANDLE	2
12	901360057	HEX HEAD BOLTM14x2.0x35 DIN 933 8.8 ZFP	2
13	902308020	CARRIAGE BOLT M8x1.25x20 - 8.8	110
14	920000801	HEX NUT M8 x 1.25	4
15	920110801	HEX LOCK NUT M8 x 1.25	110
16	920111401	HEX LOCK NUT M14 x 2.0 DIN EN ISO 10511 ZFP	2
17	921030008	FLAT WASHER Ø8.4 x Ø17 x 1.5	114
18	921030014	FLAT WASHER Ø15 x Ø28 x 2.5 DIN125A ZCA	2
19	921050008	SPRING LOCK WASHER B8	4
20	773082000	AB OVER BOX 14500	1





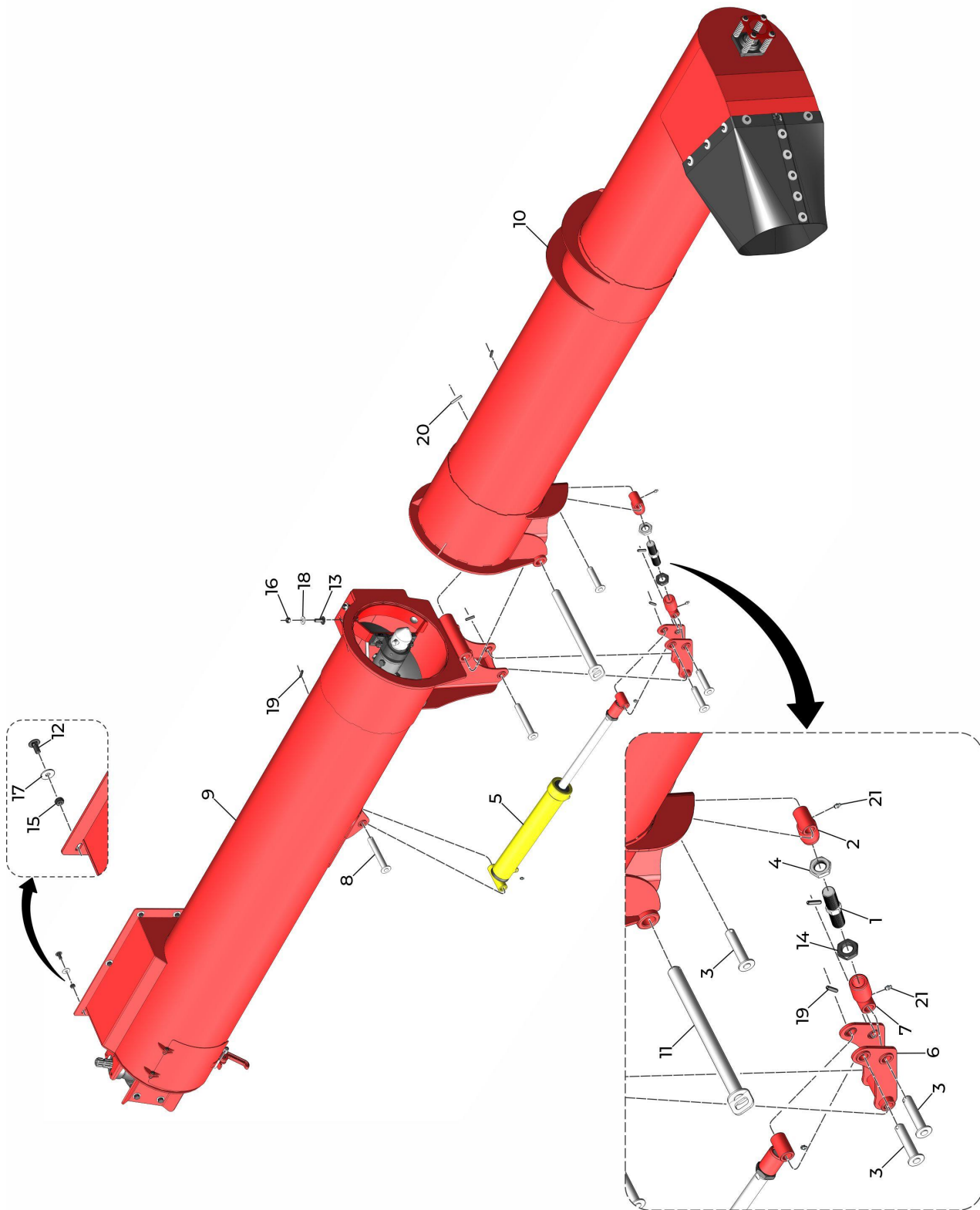
Item	Code	Name	Amount
1	773039002	TIRE OVER BOX 12500/14500/16500	1
2	773073001	REAR COVER 16500	1
3	773073002	FRONT COVER 16500	1
4	773074000	SB LEFT SIDE 16500	1
5	773076000	SB FRONT LEFT CORNER CONNECTING LINK 16500	1
6	773077000	SB FRONT RIGHT CORNER CONNECTING LINK 16500	1
7	773078000	SB RIGHT REAR CORNER CONNECTING LINK 16500	1
8	773079000	SB LEFT REAR CORNER CONNECTING LINK 16500	1
9	773080000	SB CORNER REINFORCEMENT	4
10	773081000	SB RIGHT SIDE 16500	1
11	900100043	HANDLE	2
12	901360057	HEX HEAD BOLTM14x2.0x35 DIN 933 8.8 ZFP	2
13	902308020	CARRIAGE BOLT M8x1.25x20 - 8.8	118
14	920000801	HEX NUT M8 x 1.25	4
15	920110801	HEX LOCK NUT M8 x 1.25	118
16	920111401	HEX LOCK NUT M14 x 2.0 DIN EN ISO 10511 ZFP	2
17	921030008	FLAT WASHER Ø8.4 x Ø17 x 1.5	122
18	921030014	FLAT WASHER Ø15 x Ø28 x 2.5 DIN125A ZCA	2
19	921050008	SPRING LOCK WASHER B8	4
20	773073000	AB OVER BOX 16500 (SCREWED)	1





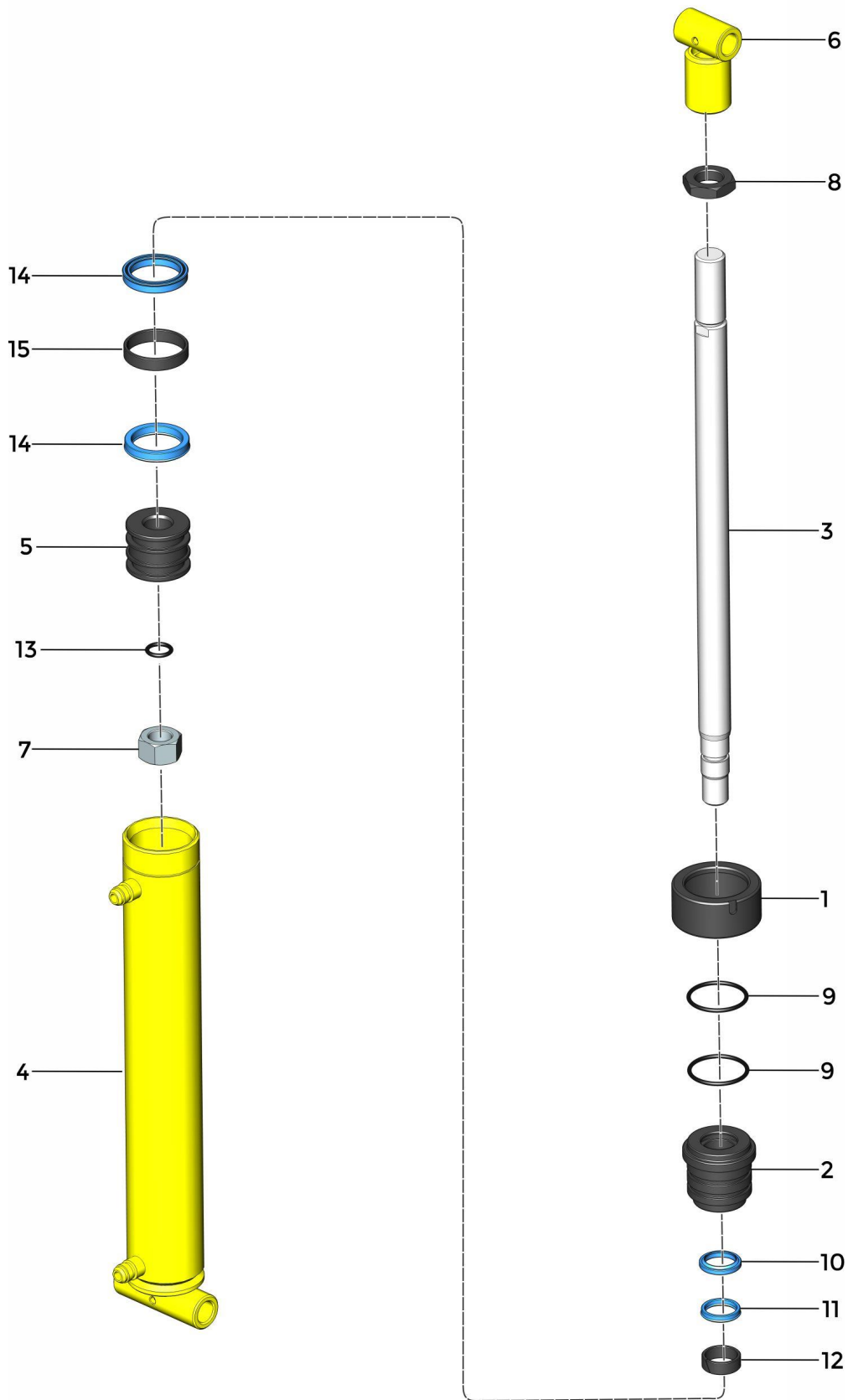
GR2-TUBOS - DISCHARGE PIPES

Item	Code	Name	Amount
1	771064000	AB PIPE Ø400mm	1
2	017052	AB PVC PIPE Ø300mm	1





Item	Code	Name	Amount
1	020548	UPPER BARE ADJUSTMENT	1
2	022852	SB LEFT M30 TIP	1
3	025436	SB SMALL BARE PIN	3
4	026748	LEFT THREAD NUT M30X2LOWER	1
5	651000000	SNAIL HYDRAULIC CYLINDER	1
6	771026000	SB PIVOT BRACKET	1
7	771028000	SB TIP M30 FOR CYLINDER	1
8	771033000	SB PIN	2
9	771065000	AB BOTTOM SNAIL Ø400 (16500)	1
10	771069000	AB TOP SNAIL (16500)	1
11	773018000	SB PIN UNION PIPES	1
12	902312025	FRENCH BOLT M10x1.5x25 - 8.8	10
13	902316035	FRENCH BOLT M12x1.75x35 - 8.8	4
14	920013001	LOW HEX NUT M30 x 2.0 DIN 936 ZFP	1
15	920111001	HEX LOCK NUT M10 x 1.5	10
16	920111201	HEX LOCK NUT M12 x 1.75	4
17	921010010	FLAT WASHER Ø10.5 x Ø30 x 2 DIN 9021 ZCA	10
18	921040073	FLAT WASHER Ø12.5 x Ø30 x 2 ZCA	4
19	922012832	SPRING PIN 8 x 36 DIN 1481	5
20	922012838	SPRING PIN 8 x 50 DIN 1481	1
21	924080000	STRAIGHT GREASE NIPPLE M8 x 1	5
22	771064000	AB PIPE Ø400mm	1

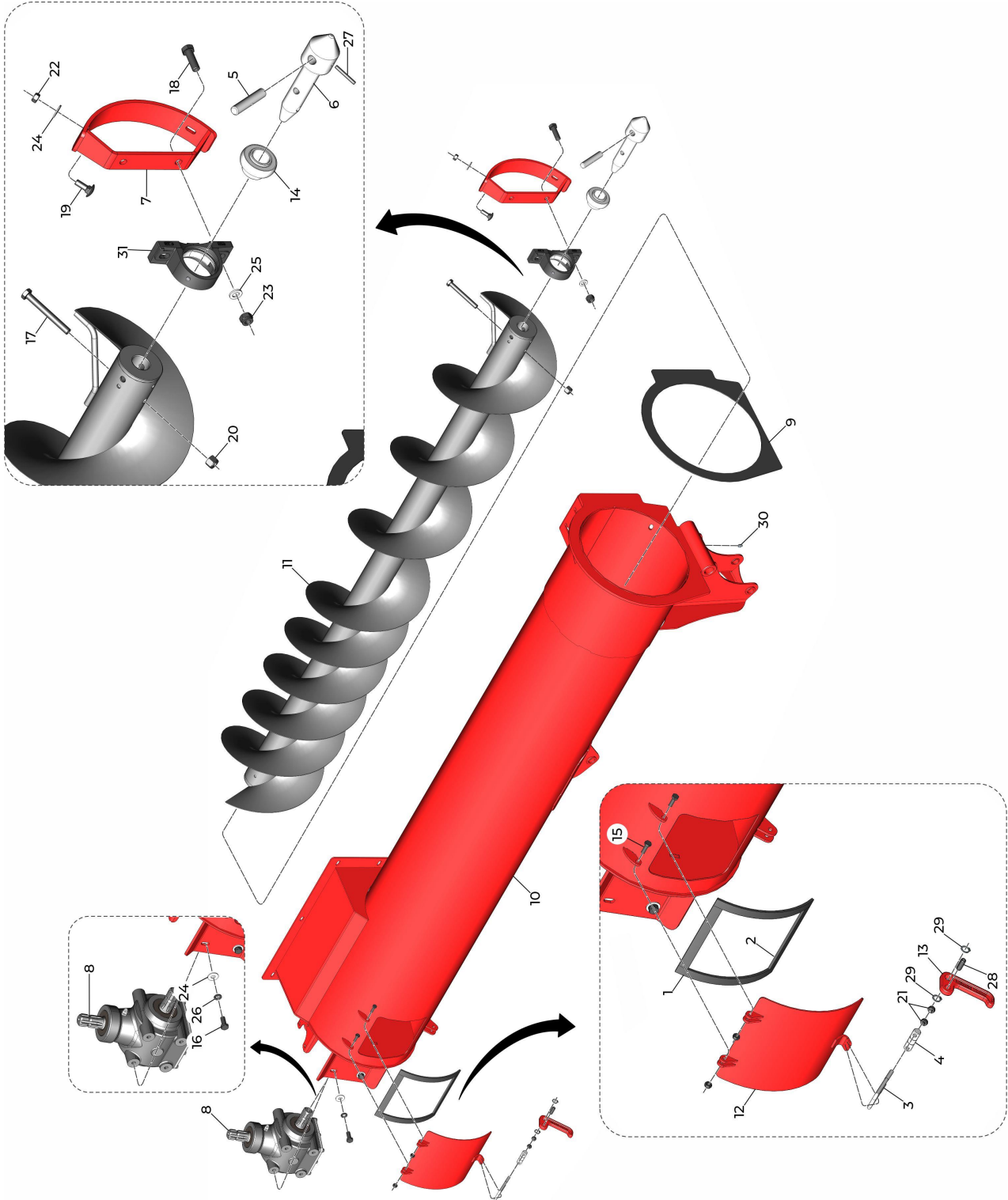


16 { 9, 10, 11, 12 }
 17 { 13, 14, 15 }



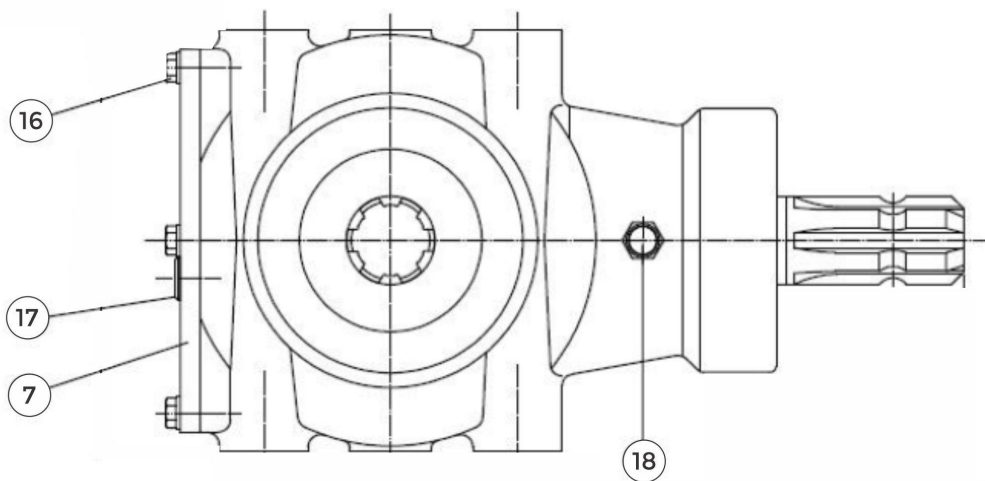
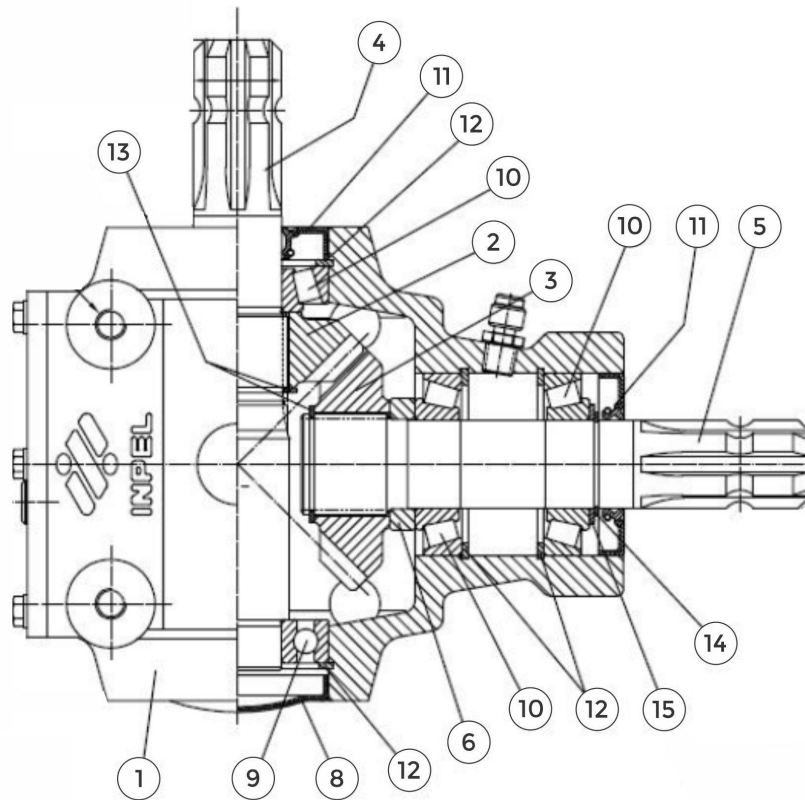
651000000 - SNAIL HYDRAULIC CYLINDER

Item	Code	Name	Amount
1	050810002	PIPE NUT 3" x M76	1
2	651000001	TG. Ø1 1/2" x Ø2 1/2" x 67mm	1
3	651000004	ROD Ø1.1/4"X615 (L-75)	1
4	651000100	SB. CYLINDER SNAIL PIPE 651000000	1
5	654000001	PLUNGER Ø2.1/2" x F28 x 50mm	1
6	771028000	SB TIP M30 FOR CYLINDER	1
7	901160062	HEX NUT 1" ANSI B18.2.2 ZFP	1
8	920013001	LOW HEX NUT M30 x 2.0 DIN 936 ZFP	1
9	932055706	O'RING 3.53 X 53.57 X 6063 (2227)	2
10	932056716	SCRAPER RING 31,75 X 41,27 X 4,76 - D1250	1
11	932056859	GASKET (12501250250B)31.75 x 38.10 x 6.35	1
12	932058117	GUIDE RING 11/2" W2-1500-500	2
13	932055721	O'RING 20.22 x 3.53 2211(PARKER)	1
14	932056852	GASKET (25002000375)2"x 21/2"x 3/8"	2
15	932058119	GUIDE RING 21/2" W2-2500-500	1
16	011103	TG SEAL KIT Ø63.5 X Ø31.75("SCRAPER / GASKET / GUIDE" - "WITHOUT_BACKUP")	1
17	011079	PLUNGER SEAL KIT Ø63.5 X Ø28 ("GASKET / GUIDE / GASKET")	1
18	651000000	SNAIL HYDRAULIC CYLINDER	1



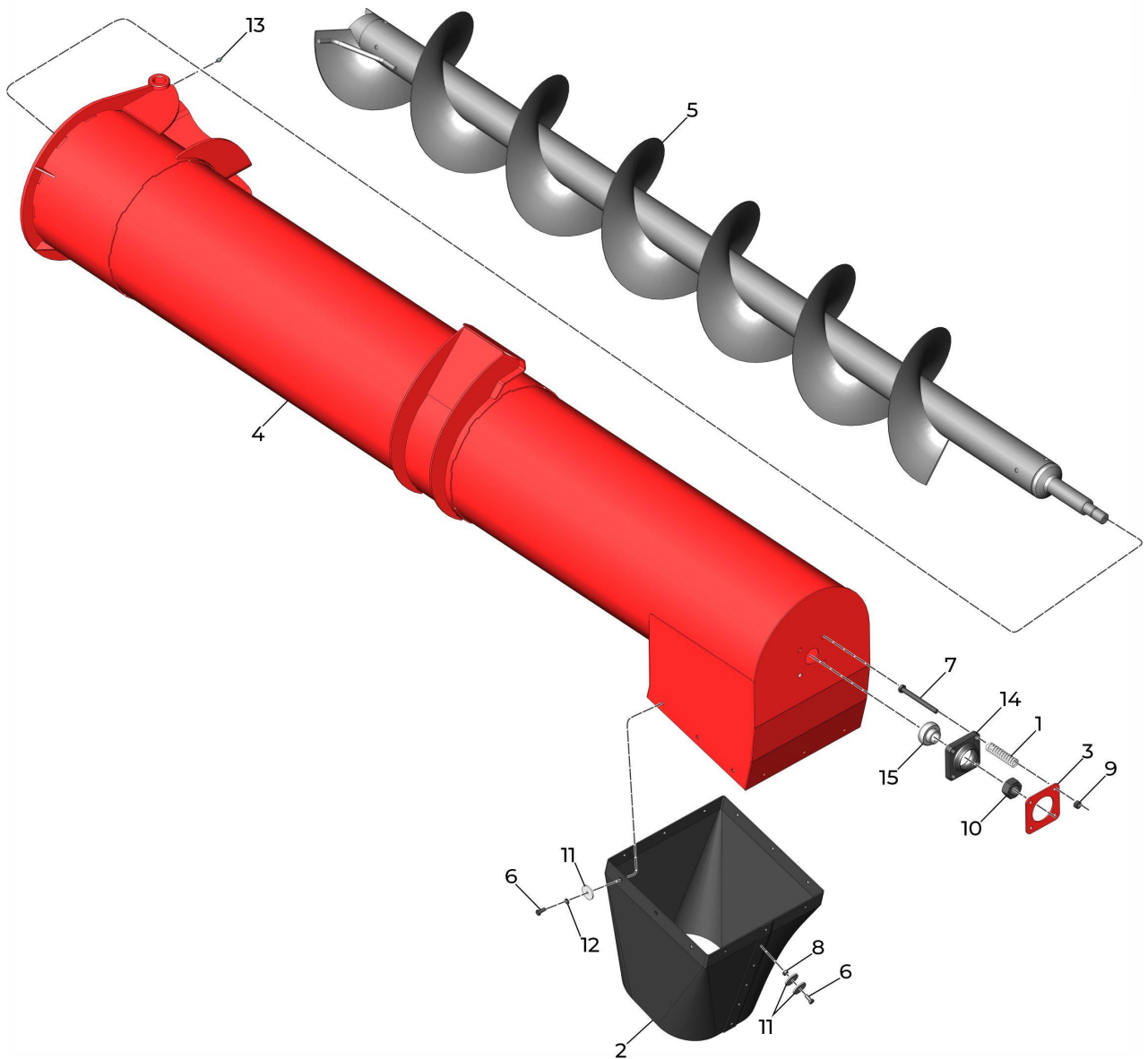
**771065000 - AB BOTTOM SNAIL Ø400 (16500)**

Item	Code	Name	Amount
1	030121	Ø400 PIPE COVER LARGER SEALING	2
2	030122	Ø400 TUBE COVER SMALLER SEALING	2
3	200240001	CLAMP M8	1
4	200240002	PIN	1
5	301011413	DRAGGING PIN	1
6	301011416	DRAGGING	1
7	301021112	SB SUPPORT	1
8	771065001	CT10032-ZH GEAR BOX	1
9	771065003	DISCHARGE JOINT	1
10	771066000	SB LOWER PIPE (16500)	1
11	771068000	SB LOWER HELICOID TB-400 (16500)	1
12	773017000	SB COVER TB400	1
13	900005502	HOPPER HITCH LEVER	1
14	900760058	ROLLER BEARING UC208	1
15	901309025	HEX HEAD BOLT M8x1.25x25 - 8.8	2
16	901317030	HEX BOLT M12x175x30 - 8.8	8
17	901322120	HEX HEAD BOLT M14x1.5x120 DIN 960 8.8 ZFP	2
18	901325050	HEX HEAD BOLT M16x2.0x50 DIN 933 8.8 ZFP	2
19	902316035	FRENCH BOLT M12x1.75x35 - 8.8	2
20	920101401	HIGH HEX LOCK NUT M14x1.5 DIN EN ISO 10512 ZFP	2
21	920110801	HEX LOCK NUT M8 x 1.25	4
22	920111201	HEX LOCK NUT M12 x 1.75	2
23	920111601	HEX LOCK NUT M16 x 2.0 DIN 985 ZFP	2
24	921040073	FLAT WASHER Ø12.5 x Ø30 x 2 ZCA	10
25	921040107	FLAT WASHER Ø16.5 x Ø28 x 3	2
26	921050012	SPRING LOCK WASHER B12	8
27	922012844	SPRING PIN 8 x 65 DIN 1481	1
28	922013027	SPRING PIN 10x28 DIN 1481	1
29	923101016	RETAINING RING E16 DIN 471	2
30	924080000	STRAIGHT GREASE NIPPLE M8 x 1	1
31	926010110	BEARING P 208 FRM)	1
32	771065000	AB BOTTOM SNAIL Ø400 (16500)	1





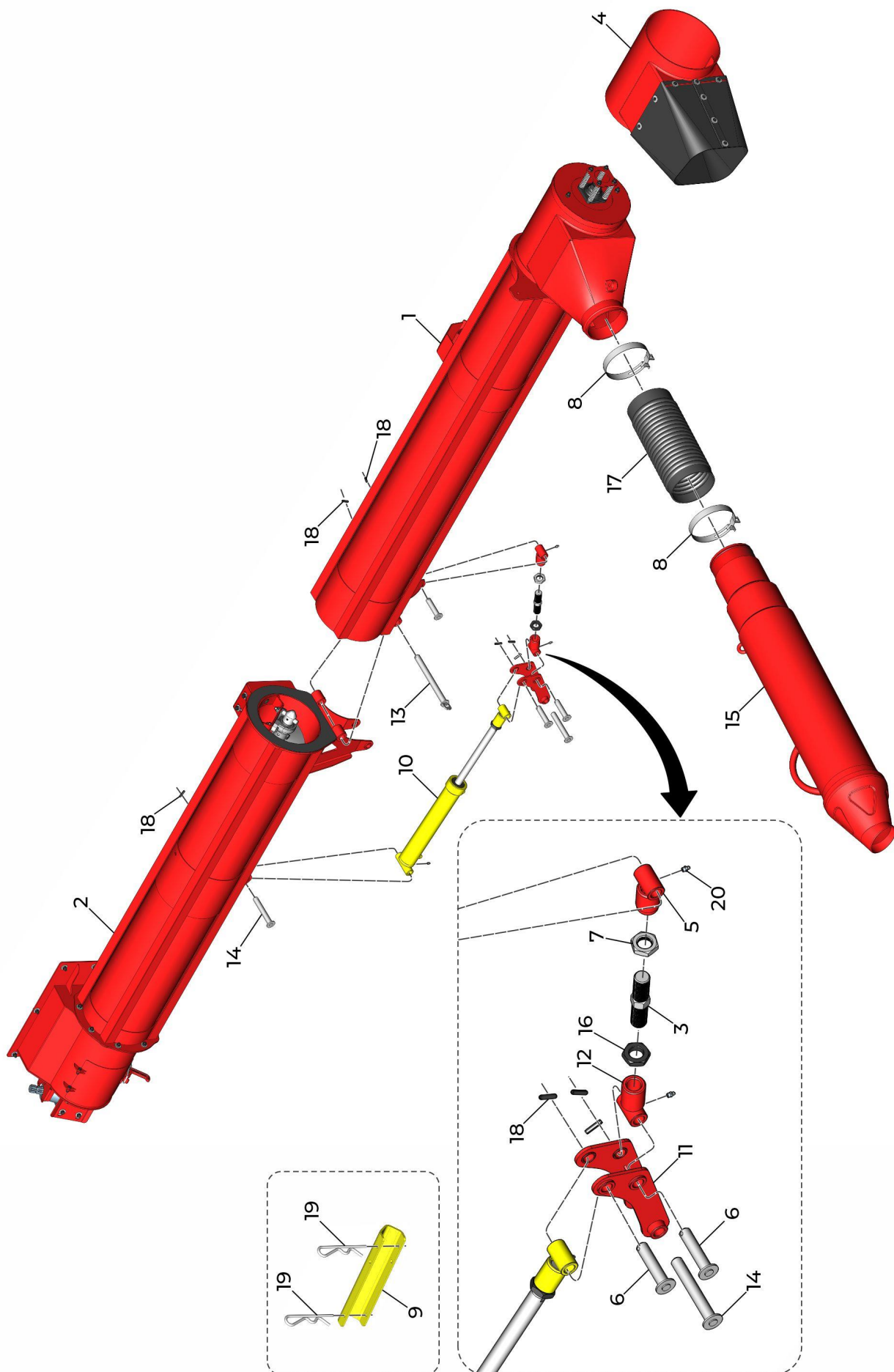
Item	Code	Name	Amount
1	771065005	FRAME (89114-05)	1
2	771065006	Z16 BEVEL GEAR (84117-HD)	1
3	771065007	Z16 BEVEL GEAR (84117-HE)	1
4	771065008	AXIS (88166-02)	1
5	771065009	AXIS (88170-02)	1
6	771065010	SPACE RING (AE-17)	1
7	771065011	COVER (89142)	1
8	771065012	COVER (TA-17)	1
9	771065013	CYLINDRICAL ROLLER BEARING (RL-6207)	1
10	771065014	TAPERED BEARING (RL-30207)	1
11	771065015	RETAINER (RR-27)	1
12	771065016	RETENTION RING (ARI-07)	1
13	771065017	RETENTION RING (ARE-40)	1
14	771065018	RETENTION RING (ARE-04)	1
15	771065019	ADJUSTMENT RING (AE-25)	1
16	771065020	HEXAGONAL HEAD BOLT (PF-46)	1
17	771065021	LEVEL CAP (BJ-16)	1
18	771065022	BREATHER (RP-07)	1
19	771065023	CAP (BJ-11)	1
20	771065024	ÓLEO (SAE 90 API GL - 5) (OL-20)	1
21	771065001	CT10032-ZH GEAR BOX	1





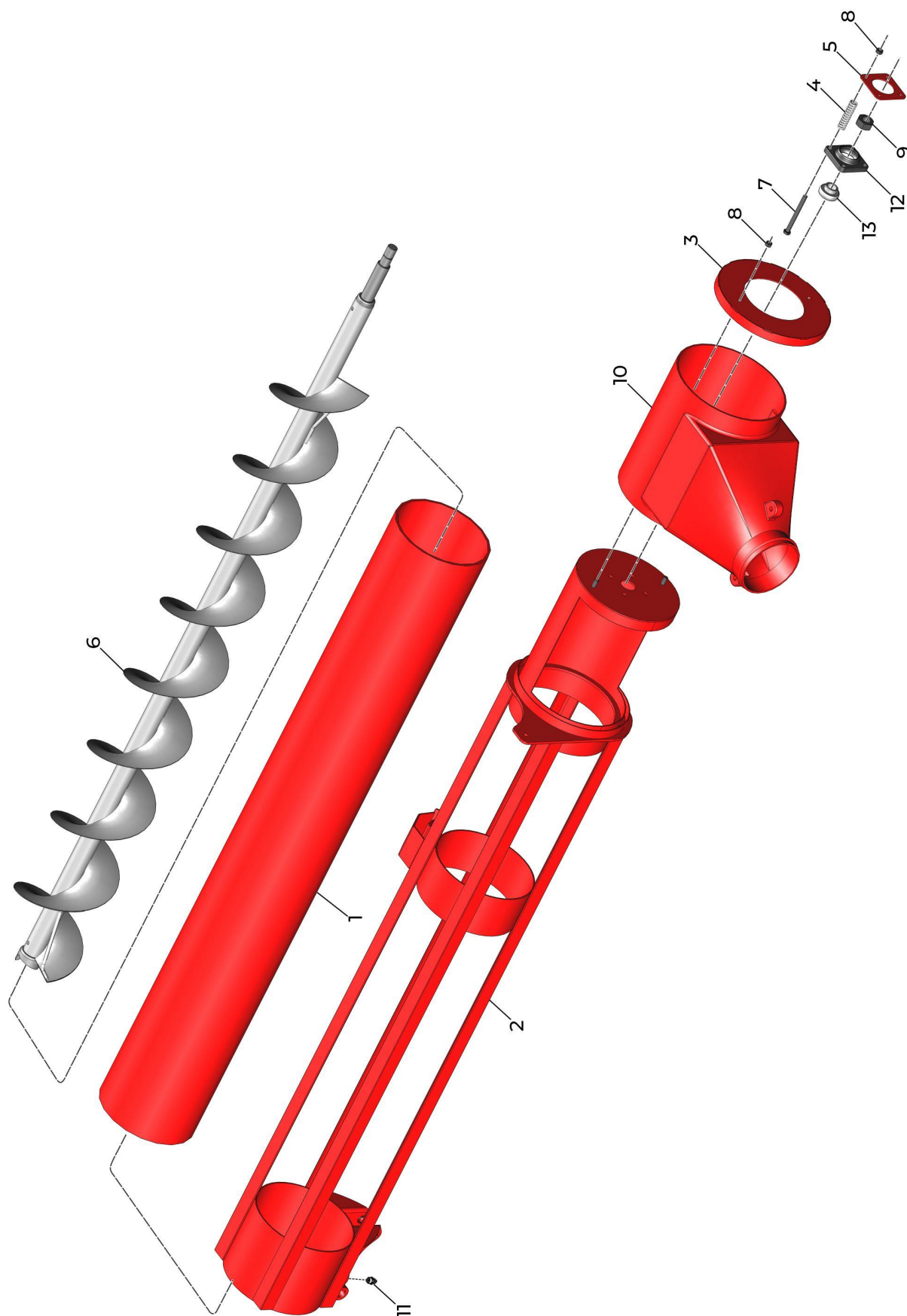
771069000 - AB TOP SNAIL (16500)

Item	Code	Name	Amount
1	771029008	COMPRESSION SPRING (Ø23,5 X 100mm)	4
2	771069002	DISCHARGE NOZZLE TARP TB-400 (16500)	1
3	771069003	SPRING END STOP	1
4	771070000	SB TOP PIPE (16500)	1
5	771071000	SB TOP HELICOID TB-400 (16500)	1
6	901309020	HEX HEAD BOLT M8x1.25x20 - 8.8	17
7	901316130	HEX BOLT M12x1.75x130 DIN 931 8.8 ZFP	4
8	920110801	HEX LOCK NUT M8 x 1.25	5
9	920111215	AUTO LOCK HEXAGON NUT M12 x 1.5	4
10	920113002	HEX LOCK NUT M30 x 2.0 DIN EN ISO 10511 ZFP	1
11	921040102	FLAT WASHER Ø8.4 x Ø40 x 3 ZCA	22
12	921050008	SPRING LOCK WASHER B8	12
13	924080000	STRAIGHT GREASE NIPPLE M8 x 1	2
14	926020408	BEARING F206 BRM	1
15	927015411	UC206 ROLLER BEARING	1
16	771069000	AB TOP SNAIL (16500)	1



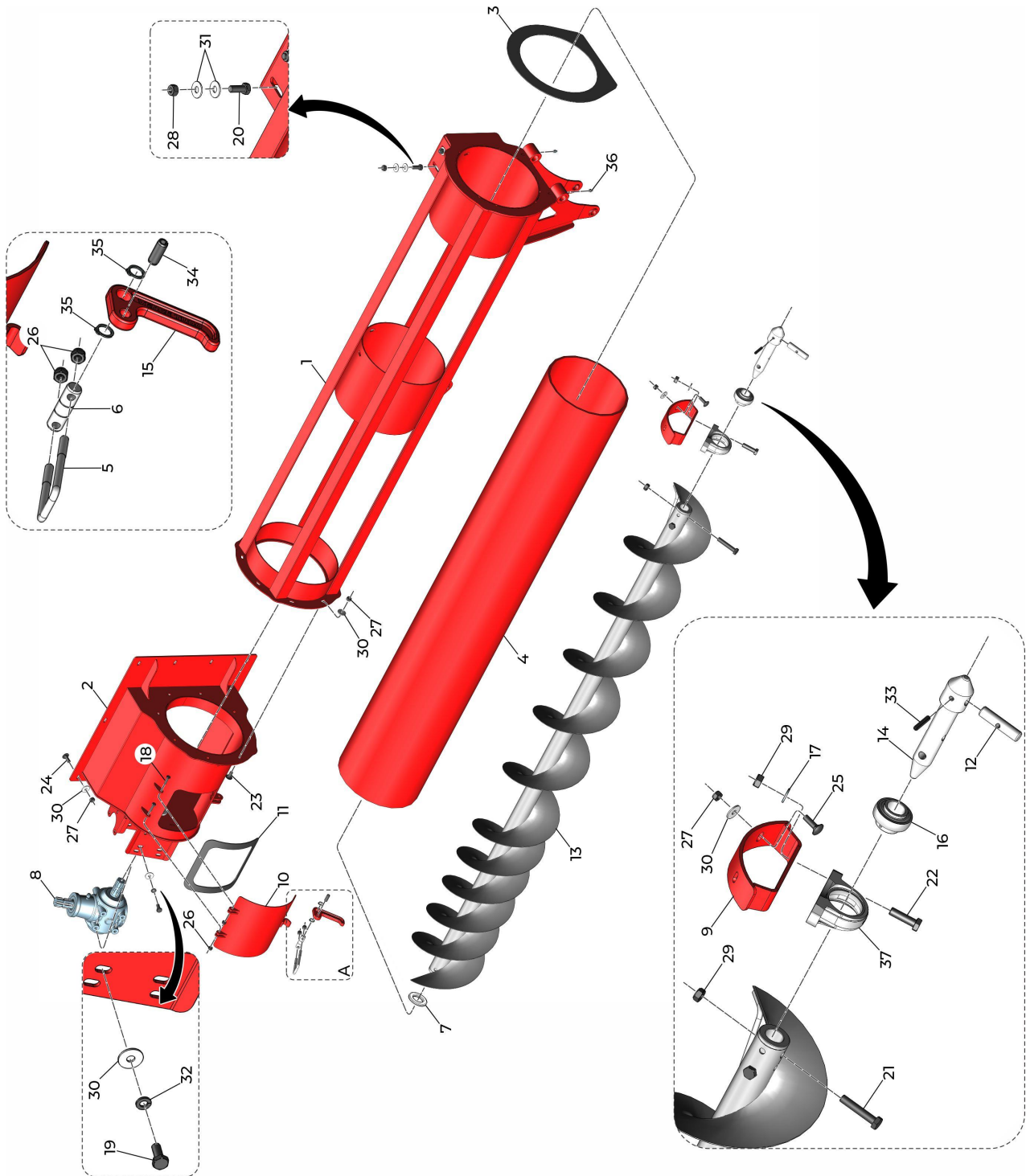
**017052 - AB PVC PIPE Ø300mm**

Item	Code	Name	Amount
1	017053	AB TOP PIPE Ø300 PVC 10500 TO 16500	1
2	017070	AB PVC PIPE Ø300 BOTTOM 10500 TO 16500	1
3	020548	UPPER BARE ADJUSTMENT	1
4	022808	AB DISCHARGE NOZZLE FOR GRAIN Ø300	1
5	022852	SB LEFT M30 TIP	1
6	025436	SB SMALL BARE PIN	3
7	026748	LEFT THREAD NUT M30X2LOWER	1
8	046718	AB HOSE CLAMP 32mm 200 - 212 STAINLESS STEEL 3	2
9	320510629	END STOP	1
10	651000000	SNAIL HYDRAULIC CYLINDER	1
11	771026000	SB PIVOT BRACKET	1
12	771028000	SB TIP M30 FOR CYLINDER	1
13	771031000	SB SNAIL CLOSING PIN	1
14	771033000	SB PIN	2
15	901360549	AB TELESCOPE PIPE	1
16	920013001	LOW HEX NUT M30 x 2.0 DIN 936 ZFP	1
17	920560094	RUBBER HOSE 500 X 200 X 210	1
18	922012832	SPRING PIN 8 x 36 DIN 1481	6
19	922052256	LOCK PIN R 5.0 x 95 ZCA	2
20	924080000	STRAIGHT GREASE NIPPLE M8 x 1	5
21	017052	AB PVC PIPE Ø300 10500 TO 16500	1



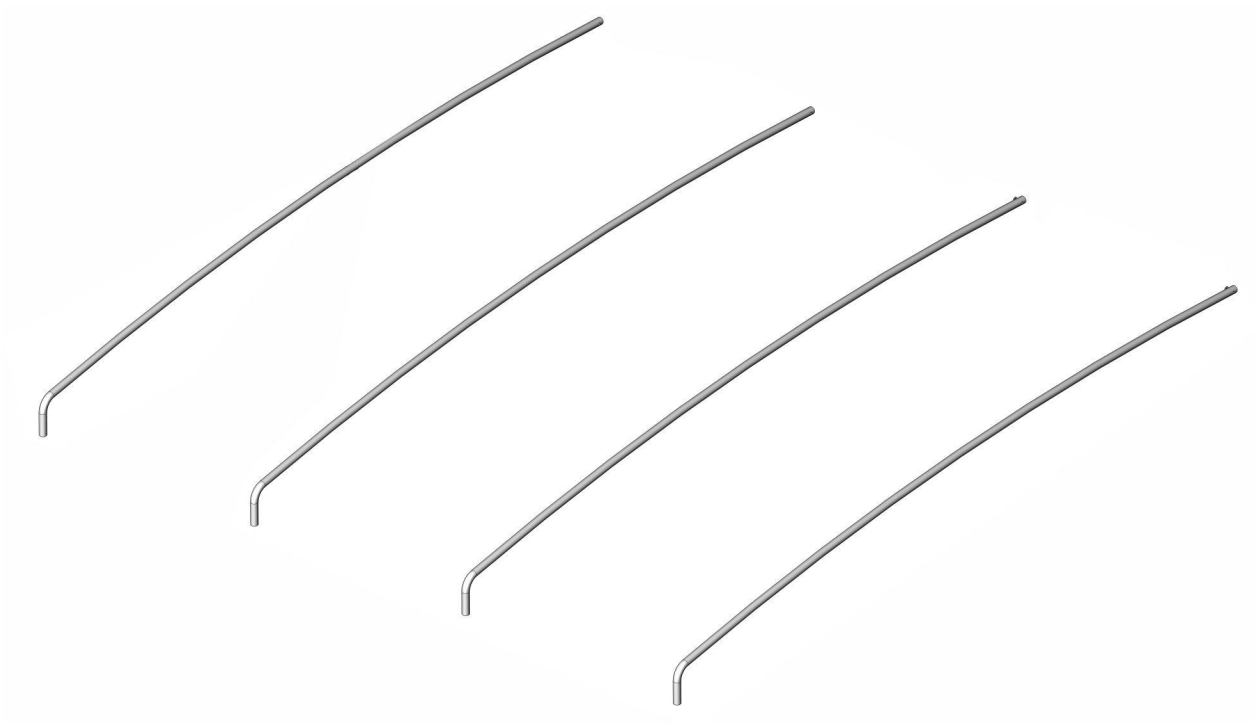
**017053 - AB TOP PIPE Ø300 PVC 10500 TO 16500**

Item	Code	Name	Amount
1	017054	Ø300 X 2306 PVC PIPE	1
2	017055	SB CHASSIS TOP PIPE PVC Ø300	1
3	053332	SB TOP FIXING PLASTIC NOZZLE 360	1
4	771029008	COMPRESSION SPRING (Ø23,5 X 100mm)	4
5	771069003	SPRING END STOP	1
6	773061000	SB HELICOID Ø300 TOP 16500	1
7	901316140	HEX HEAD BOLT M12x1.75x140 DIN 931 8.8 ZFP	4
8	920111201	HEX LOCK NUT M12 x 1.75	6
9	920113002	HEX LOCK NUT M30 x 2.0 DIN EN ISO 10511 ZFP	1
10	920560501	NOZZLE FUNNEL 350 "T" COD.00000896	1
11	924080000	STRAIGHT GREASE NIPPLE M8 x 1	1
12	926020408	BEARING F206 BRM	1
13	927015411	UC206 ROLLER BEARING	1
14	017053	AB TOP PIPE Ø300 PVC 10500 TO 16500	1



**017070 - AB PVC PIPE Ø300 BOTTOM 10500 TO 16500**

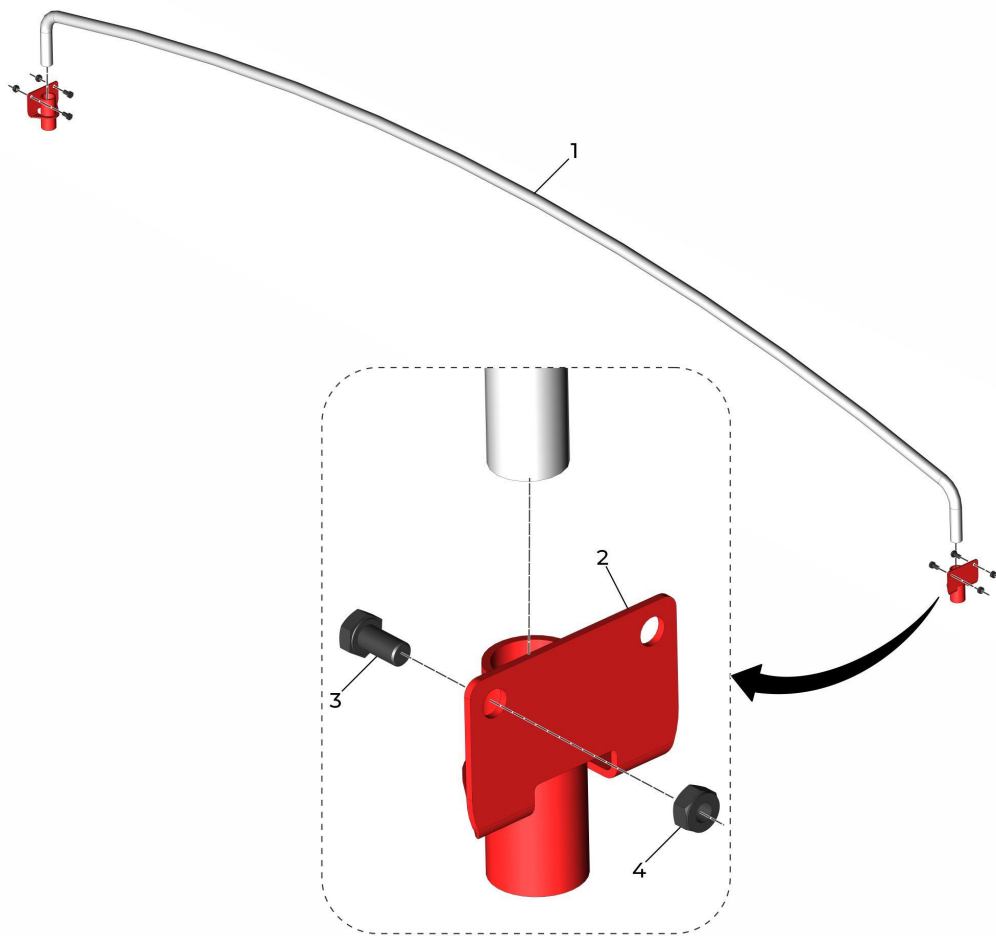
Item	Code	Name	Amount
1	017071	SB CHASSIS LOWER PIPE Ø300 PVC 10500 TO 16500	1
2	017078	SB FIRST STAGE SNAIL PVC	1
3	017083	SEAMLESS CONNECTING LINK SEALING PVC PIPES Ø300 10500 TO 16500	1
4	017139	Ø300 X 1968 PVC PIPE	1
5	200240001	CLAMP M8	1
6	200240002	PIN	1
7	771020002	NYLON WASHER	1
8	771020004	TRANSMISSION GEAR BOX CT 80130 - ZH	1
9	771047000	SB HELICOID BEARING SUPPORT Ø300	1
10	771061000	SB INSPECTION DOOR	1
11	771065004	PENSTOCK SEALING	1
12	771121001	PIN Ø20 X 85mm	1
13	771122000	SB DOUBLE INLET GRANOS 10500 AIR HELICOID	1
14	771122005	MOBILE HELICOID TIP Ø300	1
15	900005502	HOPPER HITCH LEVER	1
16	900760055	UC207 ROLLER BEARING	1
17	901060009	FLAT WASHER Ø14 x Ø28 x 2.5	2
18	901309030	HEX HEAD BOLT M8x1.25x30 - 8.8	2
19	901313025	HEX HEAD BOLT M10x1.5x25 - 8.8	8
20	901317030	HEX BOLT M12x175x30 - 8.8	4
21	901320075	HEX HEAD BOLT M14x2.0x75 8.8	2
22	901321050	HEX HEAD BOLT M14x2.0x50 8.8	2
23	902312025	FRENCH BOLT M10x1.5x25 - 8.8	8
24	902312030	FRENCH BOLT M10x1.5x30 - 8.8	10
25	902312035	CARRIAGE BOLT M10x1.5x35 DIN 603 8.8 ZFP	2
26	920110809	HEX LOCK NUT M8 x 1.25 - 10.9	4
27	920111001	HEX LOCK NUT M10 x 1.5	20
28	920111201	HEX LOCK NUT M12 x 1.75	4
29	920111401	HEX LOCK NUT M14 x 2.0 DIN EN ISO 10511 ZFP	4
30	921010010	FLAT WASHER Ø10.5 x Ø30 x 2 DIN 9021 ZCA	28
31	921040073	FLAT WASHER Ø12.5 x Ø30 x 2 ZCA	8
32	921050010	SPRING LOCK WASHER B10	8
33	922012838	SPRING PIN 8 x 50 DIN 1481	1
34	922013027	SPRING PIN 10x28 DIN 1481	1
35	923101016	RETAINING RING E16 DIN 471	2
36	924080000	STRAIGHT GREASE NIPPLE M8 x 1	2
37	926010111	BEARING (P 207 FRM)	1
38	017070	AB PVC PIPE Ø300 BOTTOM 10500 TO 16500	1





GR3-ARCOS - AB BOWS

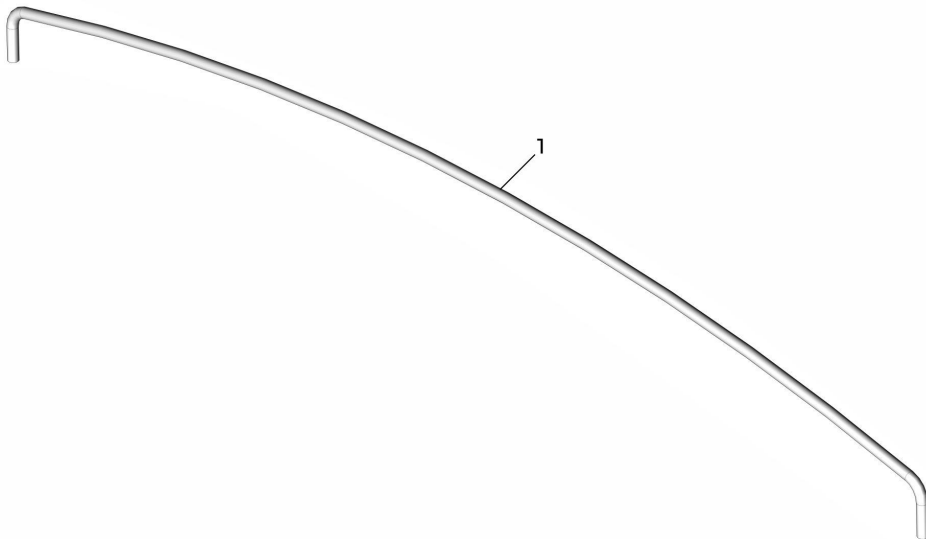
Item	Code	Name	Amount
1	773056000	AB TARP BOW (10500)	1
2	773052000	AB BOWS 12500 TO 16500	1
3	773050000	AB EASY TARP AND SLOPED OVERBOX	1





773056000 - AB TARP BOW (10500)

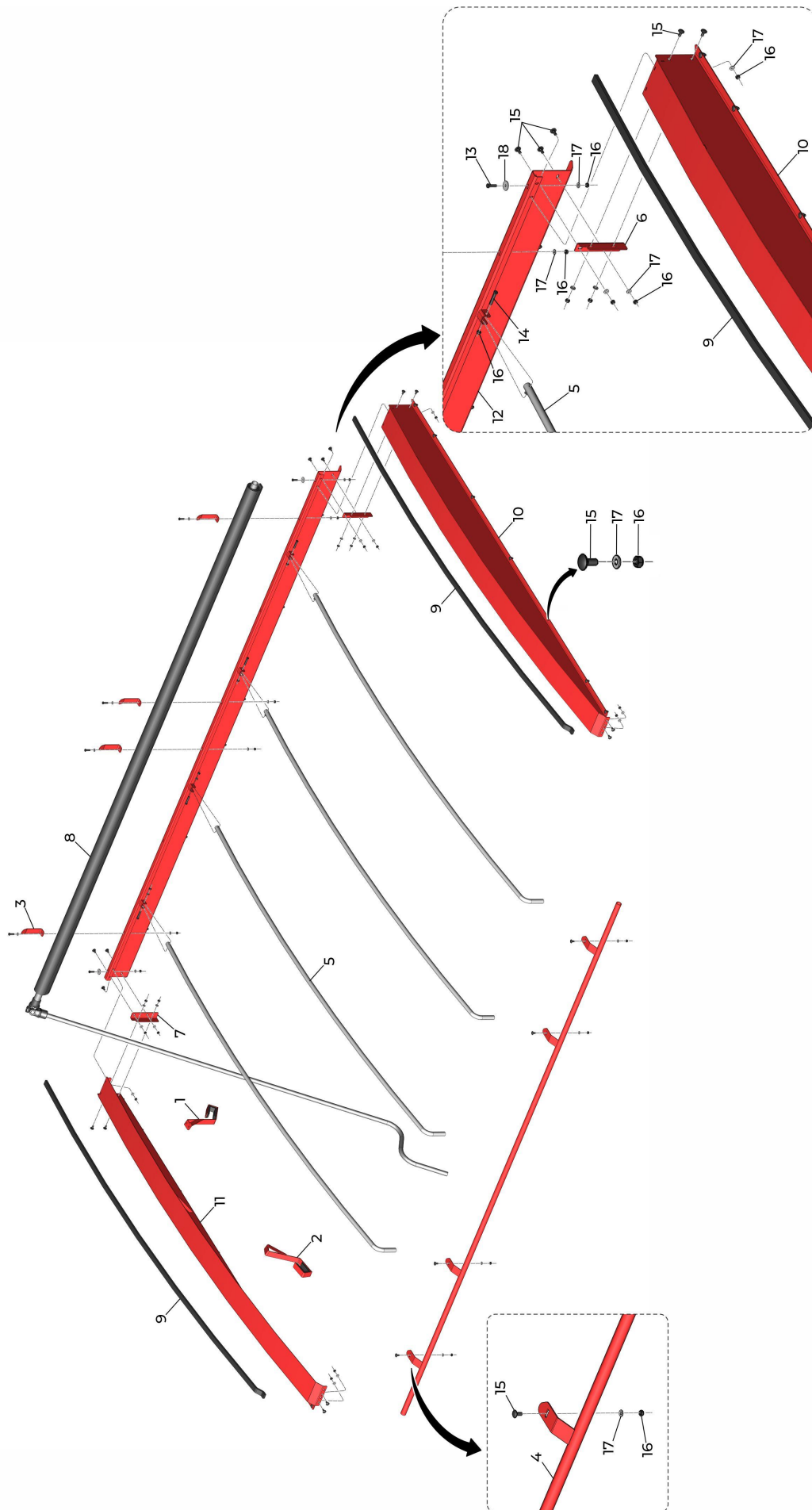
Item	Code	Name	Amount
1	773052001	GRANOS TARP BOW 10500 TO 16000	4
2	773055000	SB BOW ALONGATION (10500)	8
3	901309016	HEX HEAD BOLT M8x1.25x16 - 8.8	16
4	920110801	HEX LOCK NUT M8 x 1.25	16
5	773056000	AB TARP BOW (10500)	1





773052000 - AB BOWS 12500 TO 16500

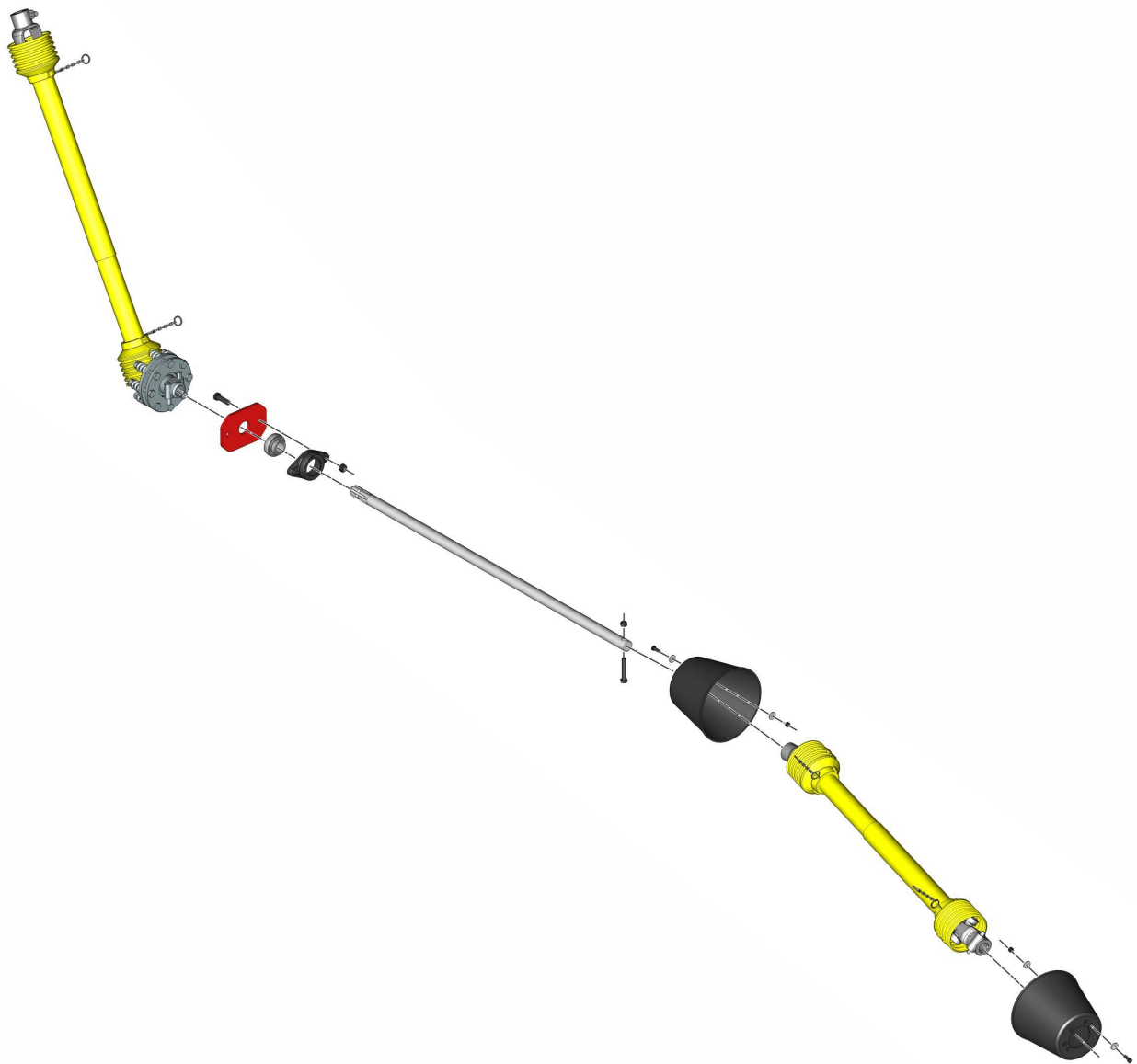
Item	Code	Name	Amount
1	773052001	GRANOS TARP BOW 10500 TO 16000	4
2	773052000	AB BOWS 12500 TO 16500	1





773050000 - AB EASY TARP AND SLOPED OVERBOX

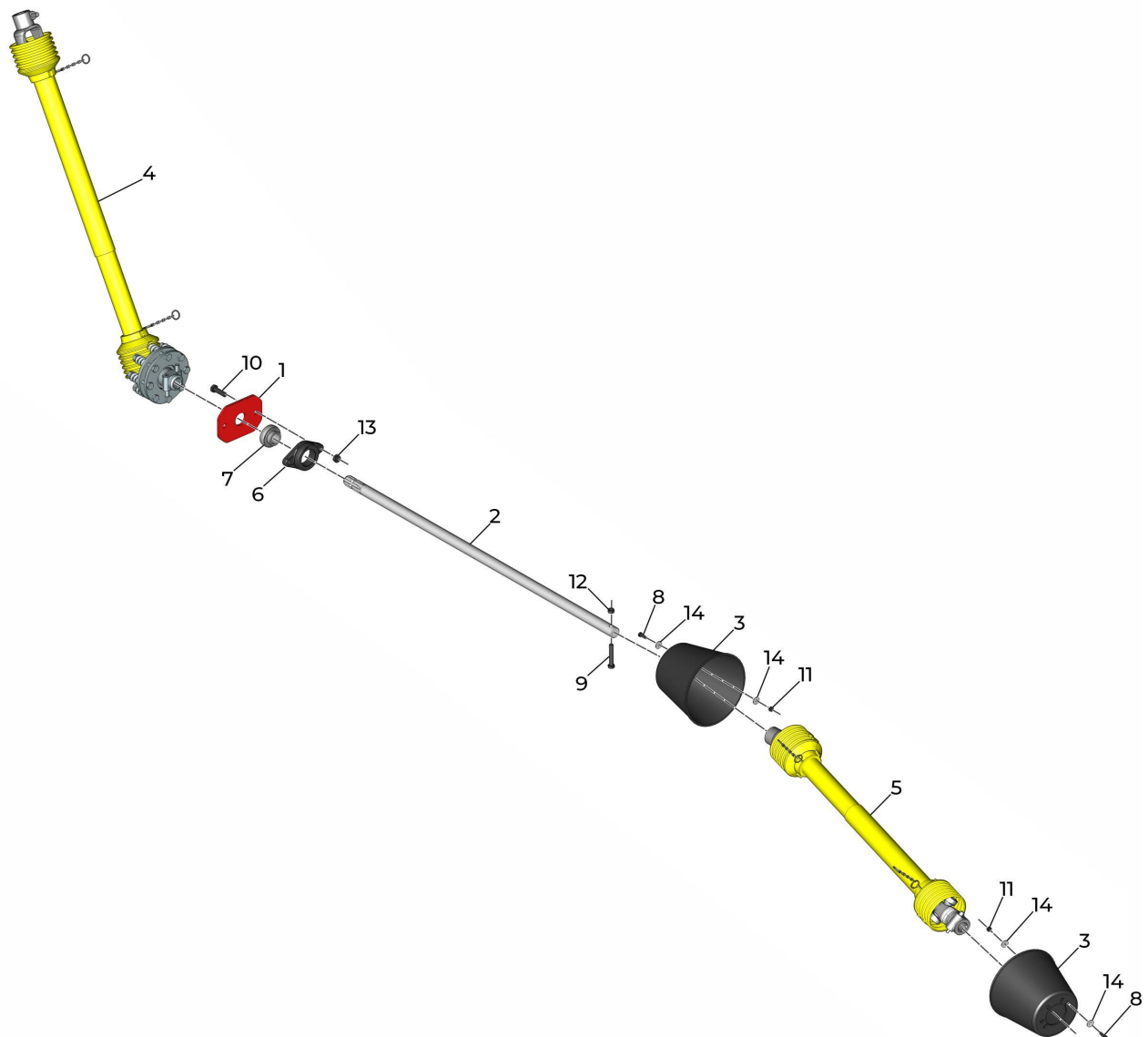
Item	Code	Name	Amount
1	018048	AB BED (D) EASY TARP HANDLE	1
2	018049	AB BED (E) EASY TARP HANDLE	1
3	320510433	TARP SUPPORT	4
4	773049000	SB GRANOS TARP STRETCHER	1
5	773050001	TARP BOW BORDA WITH EDGE	4
6	773050002	SIDE EDGE ANGLE	1
7	773050003	SIDE EDGE ANGLE (2)	1
8	773050005	GRANOS EASY TARP 10500 TO 16500	1
9	773050006	ADHESIVE SEALING TAPE	2
10	773065000	SB FRONT EDGE	1
11	773066000	SB REAR EDGE	1
12	773067000	SB SIDE EDGE	1
13	901309030	HEX HEAD BOLT M8x1.25x30 - 8.8	6
14	901309050	HEX HEAD BOLT M8x1.25x50 8.8	4
15	902308020	CARRIAGE BOLT M8x1.25x20 - 8.8	40
16	920110801	HEX LOCK NUT M8 x 1.25	50
17	921030008	FLAT WASHER Ø8.4 x Ø17 x 1.5	54
18	921040038	FLAT WASHER Ø8.4 x Ø33 x 2 ZCA	2
19	773050000	AB EASY TARP AND SLOPED OVERBOX	1





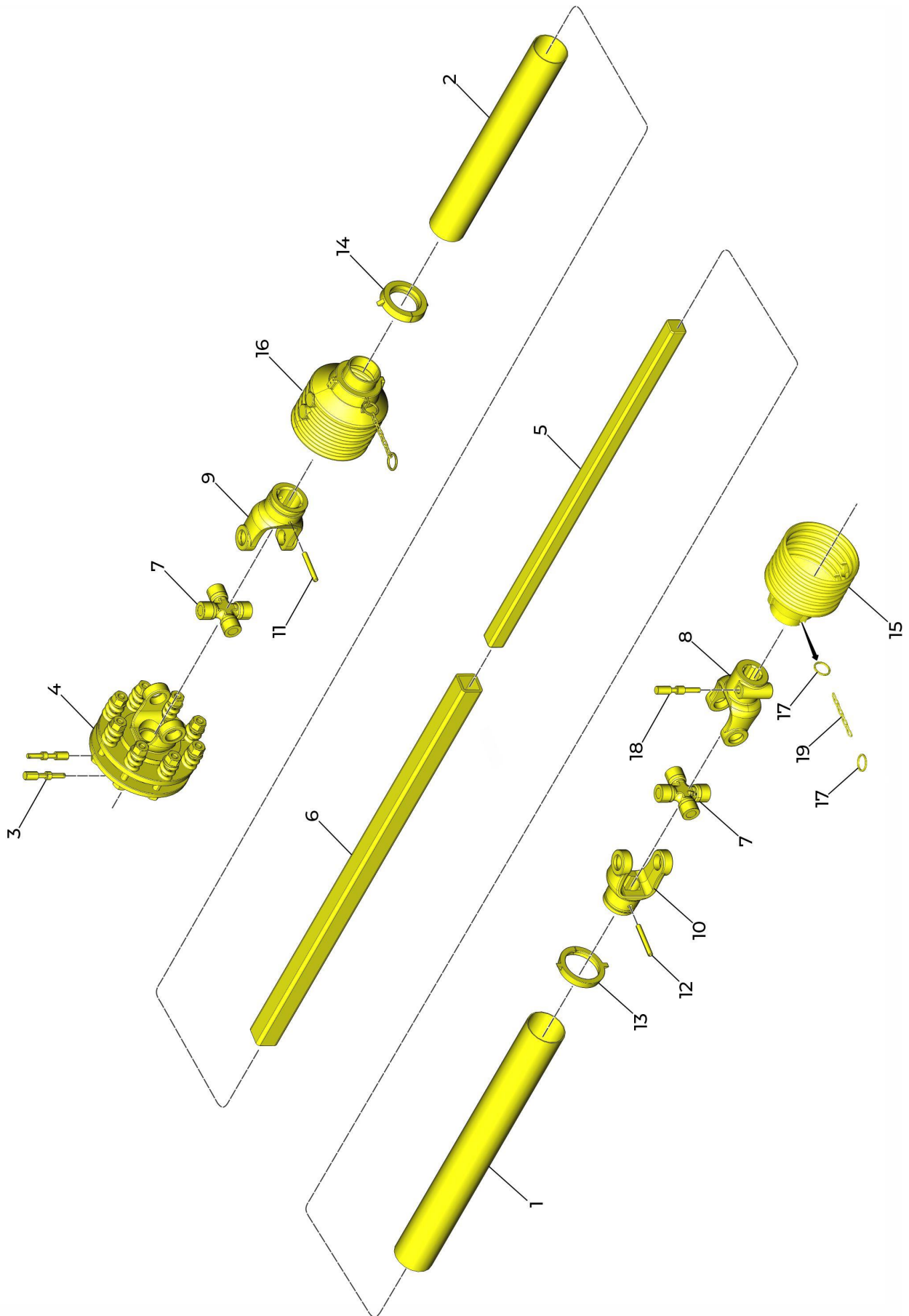
GR4-ACIONAMENTOS - TRANSMISSIONS

Item	Code	Name	Amount
1	773124000	AB SHAFT TRANSMISSION WITH CLUTCH SERIES 2500	1
2	019485	AB SHAFT TRANSMISSION WITH CLUTCH SERIES 2500	1



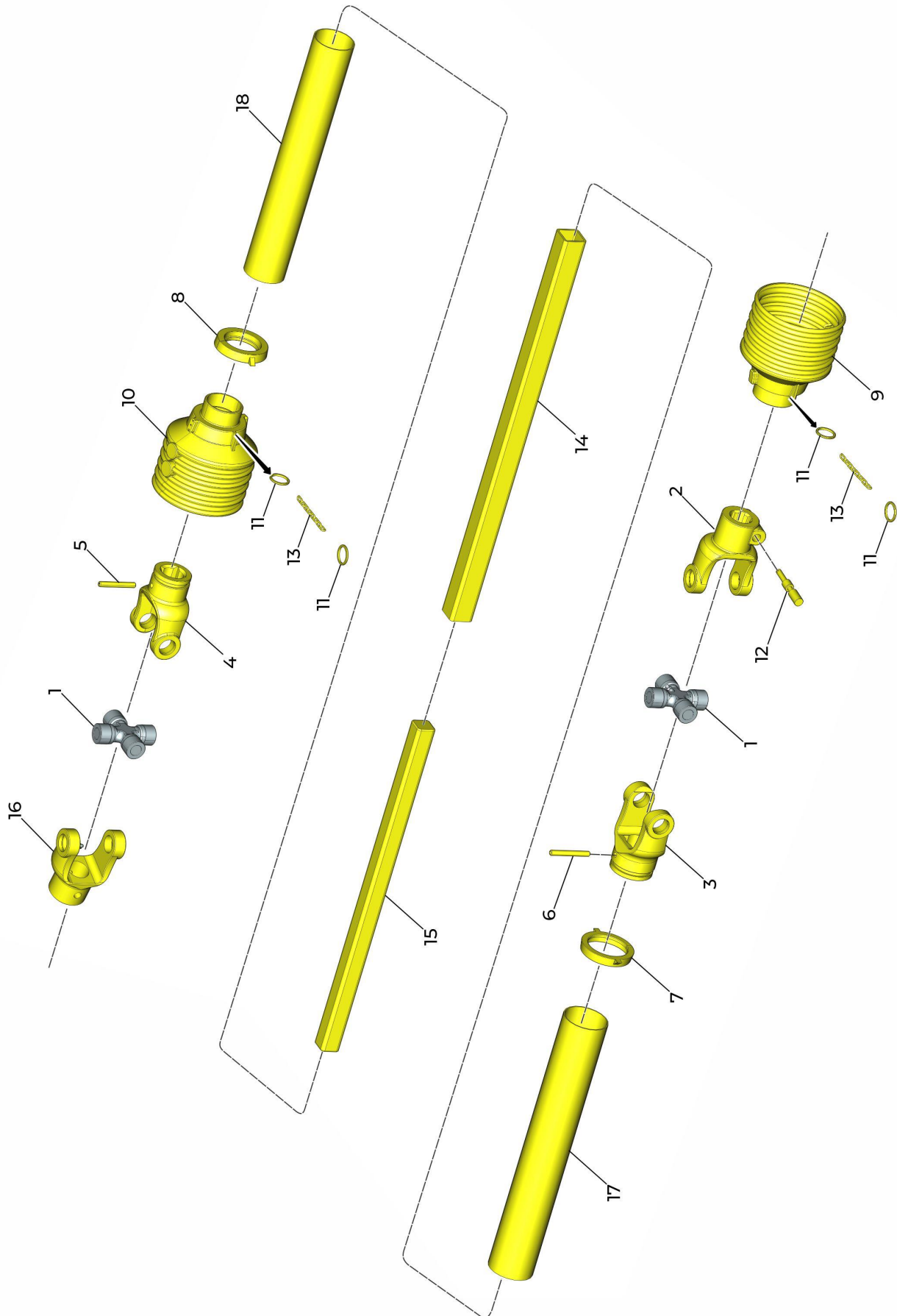


Item	Code	Name	Amount
1	023744	FIRST BEARING SUPPORT FLANGE	1
2	773070001	Z6 SHAFT CONNECTION	1
3	773124001	SHAFT PROTECTION BUCKET	2
4	773125000	AB SHAFT SERIES 2500-1.3/8" QUICK HITCH (1354mm CLOSED) (CN2553-4EP)	1
5	773126000	SHAFT SERIES 2500-1.3/8" QUICK HITCH X Ø35 HOLES TRV 12mm(CLOSED 1050mm)	1
6	900760043	BEARING FL-207 MDS	1
7	900760055	UC207 ROLLER BEARING	1
8	901309025	HEX HEAD BOLT M8x1.25x25 - 8.8	6
9	901316075	HEX HEAD BOLT M12x1.75x75 8.8	1
10	901321050	HEX HEAD BOLT M14x2.0x50 8.8	2
11	920110809	HEX LOCK NUT M8 x 1.25 - 10.9	6
12	920111201	HEX LOCK NUT M12 x 1.75	1
13	920111401	HEX LOCK NUT M14 x 2.0 DIN EN ISO 10511 ZFP	2
14	921010008	FLAT WASHER Ø8.4 x Ø24 x 2	12
15	773124000	AB SHAFT TRANSMISSION WITH CLUTCH SERIES 2500	1



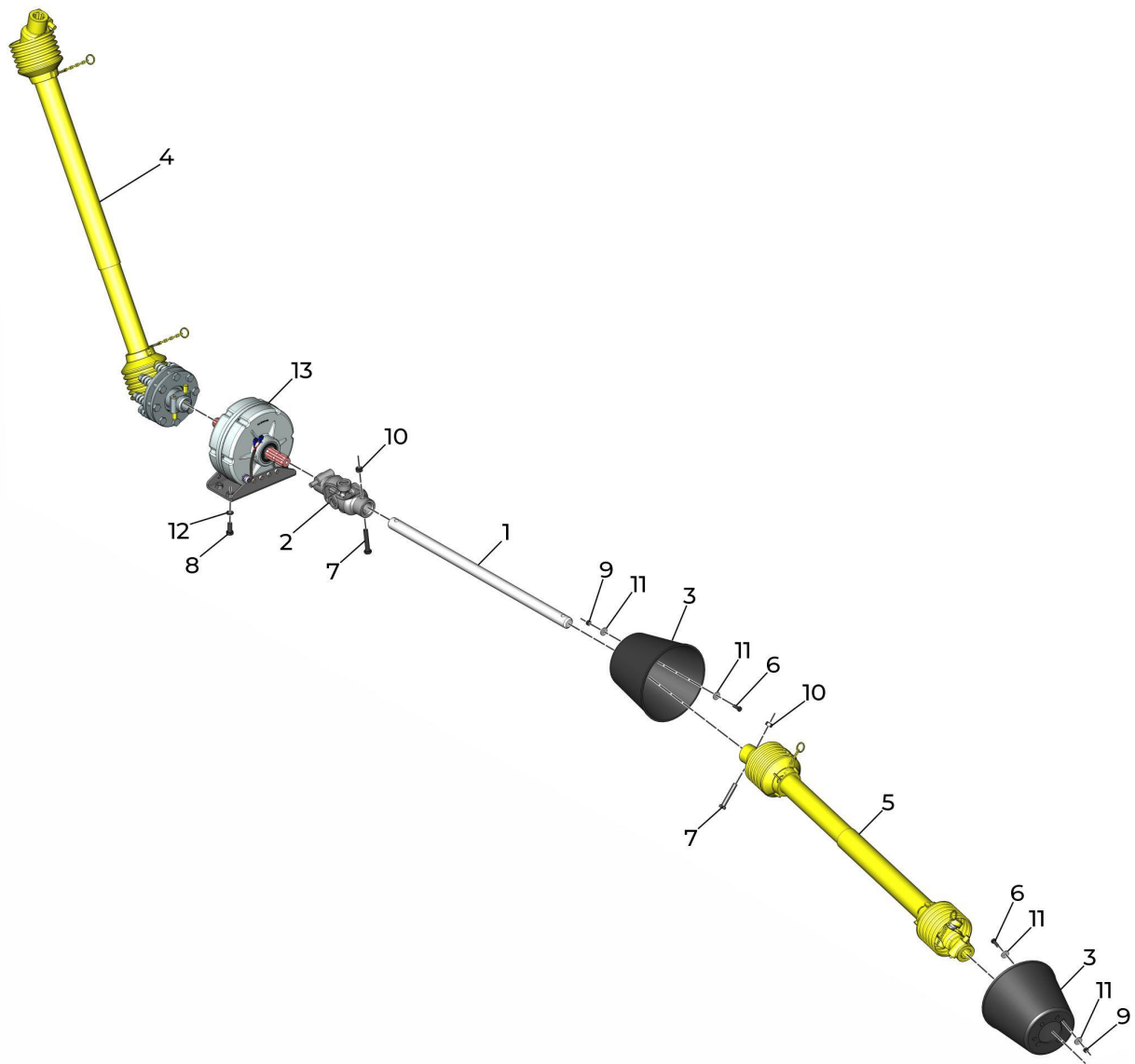


Item	Code	Name	Amount
1	055863	GREATER PROTECTION PIPE (13.04)	1
2	055865	MINOR PROTECTION PIPE (13.03)	1
3	055868	SMALL QUICK HITCH PIN (TCN31-P)	2
4	055870	SERIES 2500 6 SPORE CLUTCH 1. 3/8" W/ ENG. FAST WITH INTERF (EN257-00)	1
5	055871	SQUARE BAR 30.00 X 814mm (TBN29(MALE))	1
6	055874	SQUARE PIPE 39.80 X 914mm (TBN28J (FEMALE))	1
7	056118	2500 ROW JOINT	2
8	773029001	R 6 GROOVED R 6 STRIPED TERMINAL 1 3/8" , F. 14.0mm (TCN250)	1
9	773029003	30.1mm SQUARE HOLE OUTLET W/ HOLEBLOCK . 10mm (TCN252)	1
10	773029006	39.85mm SQUARE HOLE OUTLET W/ HOLE LOCK .10mm (TCN251)	1
11	773029007	10X60 SPRING PIN (PEN10-60)	1
12	773029008	10X70 SPRING PIN (PEN10-70)	1
13	773029009	PROTECTION RING (13.09)	1
14	773029010	PROTECTION RING (13.10)	1
15	773029011	LARGER COIL (13.05)	1
16	773029012	SMALLER COIL (13.06)	1
17	773029015	CHAIN LINK (ARN 100)	4
18	773029016	FAST HITCH PIN (TCN31-G)	1
19	773032000	CHAIN WITH 750mm (0750)	2
20	773125000	AB SHAFT SERIES 2500-1.3/8" QUICK HITCH (1354mm CLOSED) (CN2553-4EP)	1





Item	Code	Name	Amount
1	056118	2500 ROW JOINT	0
2	773029001	R 6 GROOVED R 6 STRIPED TERMINAL 1 3/8" , F. 14.0mm (TCN250)	0
3	773029003	30.1mm SQUARE HOLE OUTLET W/ HOLEBLOCK . 10mm (TCN252)	0
4	773029006	39.85mm SQUARE HOLE OUTLET W/ HOLE LOCK .10mm (TCN251)	0
5	773029007	10X60 SPRING PIN (PEN10-60)	0
6	773029008	10X70 SPRING PIN (PEN10-70)	0
7	773029009	PROTECTION RING (13.09)	0
8	773029010	PROTECTION RING (13.10)	0
9	773029011	LARGER COIL (13.05)	0
10	773029012	SMALLER COIL (13.06)	0
11	773029015	CHAIN LINK (ARN 100)	0
12	773029016	FAST HITCH PIN (TCN31-G)	0
13	773032000	CHAIN WITH 750mm (0750)	0
14	773033001	SQUARE TUBE 39.80mm X 660mm (TBN28J (FEMALE))	0
15	773033002	SQUARE BAR 30.00mm X 560mm (TBN29 (MALE))	0
16	773033003	FLAT TERMINAL R 35mm FC W/M THREAD 10X1 12mm LOCK HOLE FOR EAR (TCN291)	0
17	773033004	GREATER PROTECTION PIPE (13.04)	0
18	773033005	MINOR PROTECTION PIPE (13.03)	0
19	773126000	SHAFT SERIES 2500-1.3/8" QUICK HITCH X Ø35 HOLES TRV 12mm(CLOSED 1050mm)	0





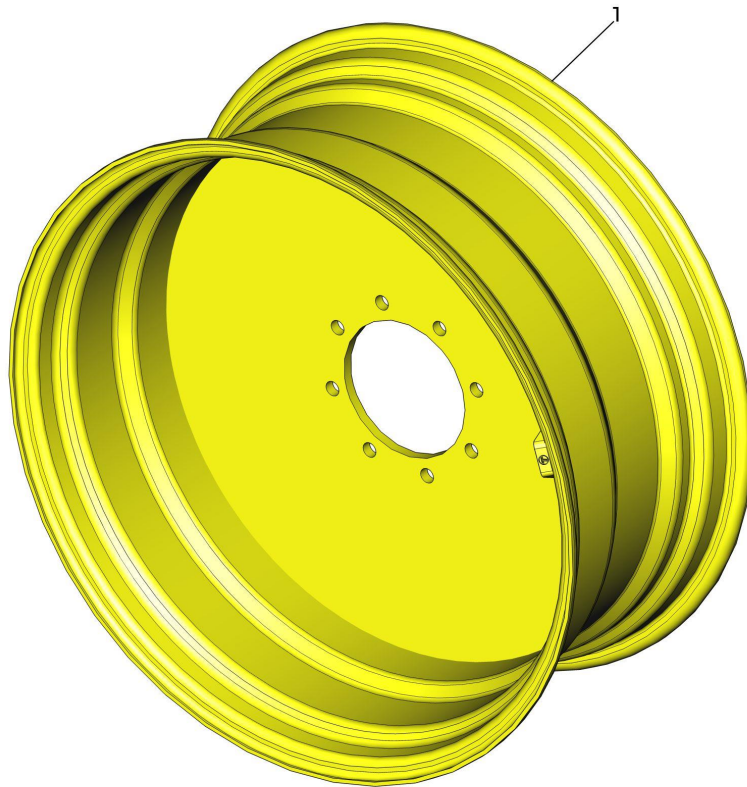
Item	Code	Name	Amount
1	019482	ROUND PIN (Ø35 X 810)	1
2	020391	AB SERIES 2500 ADAPTER 1.38" X Ø35	1
3	773124001	SHAFT PROTECTION BUCKET	2
4	773125000	AB SHAFT SERIES 2500-1.3/8" QUICK HITCH (1354mm CLOSED) (CN2553-4EP)	1
5	773126000	SHAFT SERIES 2500-1.3/8" QUICK HITCH X Ø35 HOLES TRV 12mm(CLOSED 1050mm)	1
6	901309025	HEX HEAD BOLT M8x1.25x25 - 8.8	6
7	901316075	HEX HEAD BOLT M12x1.75x75 8.8	2
8	901317030	HEX BOLT M12x175x30 - 8.8	4
9	920110801	HEX LOCK NUT M8 x 1.25	6
10	920111201	HEX LOCK NUT M12 x 1.75	2
11	921010008	FLAT WASHER Ø8.4 x Ø24 x 2	12
12	921050012	SPRING LOCK WASHER B12	4
13	970660005	CLUTCH 500 SB MP BM BX 12CC	1
14	019485	AB SHAFT TRANSMISSION WITH CLUTCH SERIES 2500	1





GR6-PNEUS E AROS - TIRES AND RIMS

Item	Code	Name	Amount
1	GR6-AROS	AVAILABLE RIMS	1
2	GR6-PNEUS	TIRES AND AIR CHAMBERS	1





GR6-AROS - AVAILABLE RIMS

Item	Code	Name	Amount
1	771092000	SB RIM DW 16" x 30" 8 HOLES	1
1	771093000	SB RIM DW 16" x 34" 8 HOLES	1
1	771094000	SB WHEEL DW15L x 38"	1
1	771091000	SB RIM DW 20" x 26" 8 HOLES	1
1	771090000	SB RIM DW 20" x 30" 8 HOLES	1
1	771098000	SB ARO DW 20"x32" 8 HOLES	1
1	771099000	SB WHEEL DW 25" x 26" 8 HOLES	1
1	030058	SB RIM 20" X 30.5" - 8 HOLES	1
2	GR6-AROS	AVAILABLE RIMS	1





GR6-PNEUS - TIRES AND AIR CHAMBERS

Item	Code	Name	Amount
1	933010225	18.4-30 TIRE FOR 16"x30" DW RIM	1
1	933010202	18.4-34 TIRE FOR 16"x34" DW RIM	1
1	933010201	18.4-38 TIRE FOR 16"x38" DW RIM	1
1	933010203	TIRE 18.4-34 FOR DW RIM 16"x34" (14 TARP FOR MULTI-PURPOSE)	1
1	933010205	TIRE 23.1-26 FOR RIM DW 20"x26"	1
1	933010231	TIRE 23.1-30 FOR RIM DW 20x30"	1
1	933010212	TIRE 24.5-32 FOR RIM DW 20x32"	1
1	933010204	PNEU 28L26 FOR RIM DW 25L"x26"	1
1	933011538	TIRE 650/65-30.5 16 TARPS (FLOTATION 648) FOR DW RIM 20"x30.5"	1
2	933022101	TIRE AIR CHAMBER 18.4-30	1
2	933022301	TIRE AIR CHAMBER 18.4-34	1
2	933022201	TIRE AIR CHAMBER 18.4-38	1
2	933023001	TIRE AIR CHAMBER 23.1-26	1
2	901860008	TIRE AIR CHAMBER 23.1-30	1
2	933022401	TIRE AIR CHAMBER 24.5-32	1
2	933022501	TIRE AIR CHAMBER 28L26	1
3	933030702	TR618 JUMBO VALVE AP/ TIRE 650/65-30.5	1
4	GR6-PNEUS	TIRES AND AIR CHAMBERS	1



VENCE TUDO GRANOS 14500

VENCE TUDO

VENCE TUDO GRANOS 14500



VENCE TUDO®

⚠ CUIDADO/CAUTION/PRECAUCIÓN

NÃO PERMANECER NA MÁQUINA ENQUANTO ESTA ESTIVER EM FUNCIONAMENTO.

DO NOT STAY IN THE MACHINE WHILE IT IS IN OPERATION.

NO PERMANECE EN LA MÁQUINA CUANDO ESTÉ EN FUNCIONAMIENTO.

⚠ RISCO DE CHOQUE ELÉTRICO NÃO MOVIMENTAR O EQUIPAMENTO COM O TUBO DE DESCARGA ELEVADO.

RISK OF ELECTRIC SHOCK DO NOT MOVE EQUIPMENT WITH HIGH DISCHARGE TUBE

RIESGO DE CHOQUE ELÉCTRICO NO MOVIMIENTO DEL EQUIPO CON EL TUBO DE DESCARGA ALTO

⚠ CUIDADO/CAUTION/PRECAUCIÓN

OBSERVAR MONTAGEM OBSERVE ASSEMBLY OBSERVAR MONTAJE

⚠ IMPORTANTE/IMPORTANT/IMPORTANTE

REVISAR O APERTO DAS PORCAS DAS RODAS COM A FREQUÊNCIA INDICADA NO MANUAL DO OPERADOR.

CHECK THE NUT OF THE WHEEL NUTS WITH THE FREQUENCY INDICATED IN THE OPERATOR'S MANUAL.

REVISAR EL APARTE DE LAS TAPAS DE LAS RUEDAS CON LA FRECUENCIA INDICADA EN EL MANUAL DEL OPERADOR.

CONTROLAR A PRESSÃO DOS PNEUS CONFORME ESPECIFICAÇÕES ABAIXO.

CONTROL THE PRESSURE AS SPECIFICATIONS BELOW.

CONTROLAR LA PRESIÓN DE LOS NEUMÁTICOS SEGUN LAS ESPECIFICACIONES A CONTINUACIÓN.

18.4-30	230 kPa (33 lbf/pol ² - 2.30 bar)
18.4-34	230 kPa (33 lbf/pol ² - 2.30 bar)
18.4-38	230 kPa (33 lbf/pol ² - 2.30 bar)
231-26	170 kPa (25 lbf/pol ² - 1.70 bar)
231-30	170 kPa (25 lbf/pol ² - 1.70 bar)
24.5-32	170 kPa (25 lbf/pol ² - 1.70 bar)
28L26	180 kPa (26 lbf/pol ² - 1.80 bar)

⚠ ATENÇÃO/ATTENTION/ATENCIÓN

540 RPM

⚠

Velocidade Máxima de Transporte
Maximum Transport Velocity
Velocidad Máxima de Transporte
20 km/h

⚠ ATENÇÃO/ATTENTION/ATENCIÓN

RISCO DE CAPOTAGEM
CAPACITY RISK
RIESGO DE CAPOTADO

NÃO DESCARREGAR E/OU TRANSITAR COM O ACOPLAMENTO CARREGADO SOBRE TERRENO MACIO OU EM DECLIVE MAIOR QUE 8.5°.

DO NOT DISCHARGE AND / OR TRANSIT WITH COUPLING LOADED ON GROUND SOFT OR IN DECLINE OVER 8.5 °.

NO DESCARGAR Y / O TRANSITAR CON EL ACOPLAMIENTO CARGADO SOBRE TERRENO MACIO O EN DECLIVE MAYOR QUE 8.5 °.





GR5-ADESIVOS - LABELS

Item	Code	Name	Amount
1	059467	AB LABEL KIT GRANOS STANDARD 10500 TO 16500	1
2	059554	AB LABEL KIT GRANOS CART 10500	1
3	059555	AB LABEL KIT GRANOS CART 12500	1
4	059556	AB LABEL KIT GRANOS CART 14500	1
5	059557	AB LABEL KIT GRANOS CART 16500	1



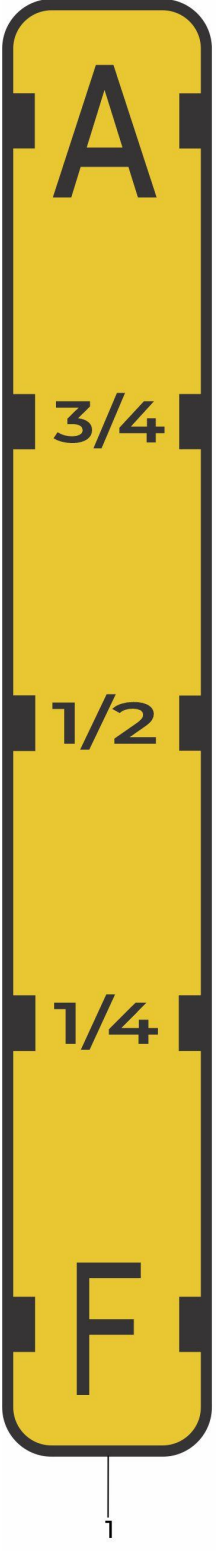
Velocidade Máxima de Transporte
Maximum Transport Velocity
Velocidad Máxima de Transporte
20 km/h

! CUIDADO/CAUTION/PRECAUCIÓN

NÃO PERMANECER NA MÁQUINA ENQUANTO ESTA ESTIVER EM FUNCIONAMENTO.

DO NOT STAY IN THE MACHINE WHILE IT IS IN OPERATION.

NO PERMANECE EN LA MÁQUINA CUANDO ESTÉ EN FUNCIONAMIENTO.



! ATENÇÃO/ATTENTION/ATENCIÓN

RISCO DE CAPOTAGEM
CAPACITY RISK
RIESGO DE CAPOTADO

NÃO DESCARREGAR E/OU TRANSITAR COM O ACOPLAMENTO CARREGADO SOBRE TERRENO MACIO OU EM DECLIVE MAIOR QUE 8,5°.

DO NOT DISCHARGE AND / OR TRANSIT WITH COUPLING LOADED ON GROUND SOFT OR IN DECLINE OVER 8.5°.

NO DESCARGAR Y / O TRANSITAR CON EL ACOPLAMIENTO CARGADO SOBRE TERRENO MACIO O EN DECLIVE MAYOR QUE 8.5°.

! RISCO DE CHOQUE ELÉTRICO
NÃO MOVIMENTAR O EQUIPAMENTO COM O TUBO DE DESCARGA ELEVADO.

RISK OF ELECTRIC SHOCK
DO NOT MOVE EQUIPMENT WITH HIGH DISCHARGE TUBE

RIESGO DE CHOQUE ELÉCTRICO
NO MOVIMIENTO DEL EQUIPO CON EL TUBO DE DESCARGA ALTO



! CUIDADO/CAUTION/PRECAUCIÓN

OBSERVAR MONTAGEM
OBSERVE ASSEMBLY
OBSERVAR MONTAJE



! IMPORTANTE/IMPORTANT/IMPORTANTE

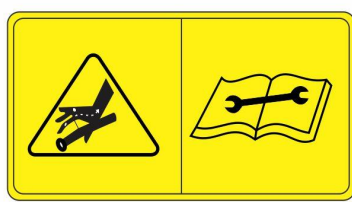
REVISAR O APERTO DAS PORCAS DAS RODAS COM A FREQUÊNCIA INDICADA NO MANUAL DO OPERADOR.

CHECK THE NUT OF THE WHEEL NUTS WITH THE FREQUENCY INDICATED IN THE OPERATOR'S MANUAL.

REVISAR EL APARTE DE LAS TAPAS DE LAS RUEDAS CON LA FRECUENCIA INDICADA EN EL MANUAL DEL OPERADOR.

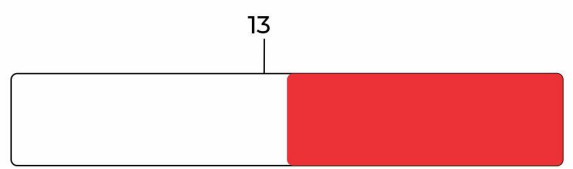
CONTROLAR A PRESSÃO DOS PNEUS CONFORME ESPECIFICAÇÕES ABAIXO:
CONTROL TIRE PRESSURE AS SPECIFICATIONS BELOW:
CONTROLAR LA PRESIÓN DE LOS NEUMÁTICOS SEGÚN LAS ESPECIFICACIONES A CONTINUACIÓN:

18.4-30.....	230 kPa (33 lbf/pol ² - 2.30 bar)
18.4-34.....	230 kPa (33 lbf/pol ² - 2.30 bar)
18.4-38.....	230 kPa (33 lbf/pol ² - 2.30 bar)
23.1-26.....	170 kPa (25 lbf/pol ² - 1.70 bar)
23.1-30.....	170 kPa (25 lbf/pol ² - 1.70 bar)
24.5-32.....	170 kPa (25 lbf/pol ² - 1.70 bar)
28L26.....	180 kPa (26 lbf/pol ² - 1.80 bar)



! ATENÇÃO/ATTENTION/ATENCIÓN

540 RPM





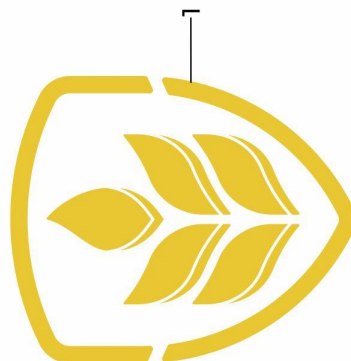
Item	Code	Name	Amount
1	934505024	LABEL CLOSING MARKER (90x655)	1
2	934505025	LABEL AVOID FLUIDS UNDER HIGH PRESSURE (91x168)	1
3	934505026	LABEL READ THE MANUAL (91x168)	1
4	934505028	LABEL 540 RPM (85x90)	1
5	934505029	LABEL NUT TIGHTENING AND TIRE PRESSURE (180x193)	1
6	934505030	LABEL WARNING AUGER MOVING (91x168)	1
7	934505031	LABEL CAREFUL WITH SHAFT (91x168)	2
8	934505032	LABEL WARNINGN SECURITY (173x169)	1
9	934505033	LABEL LUBRIFICATE 8HS (22x25)	18
10	934505034	LABEL NOTE SHAFT ASSEMBLY (91x123)	1
11	934505035	LABEL ROTATION RISK (117x89)	1
12	934505036	LABEL TRANSPORT SPEED (91x246)	1
13	934505058	LABEL REFLECTIVE LIGHT SIGN (50x300)	10
14	934505060	LABEL REFLECTIVE BUMPER (100x500)	2
15	059467	AB LABEL KIT GRANOS STANDARD 10500 TO 16500	1



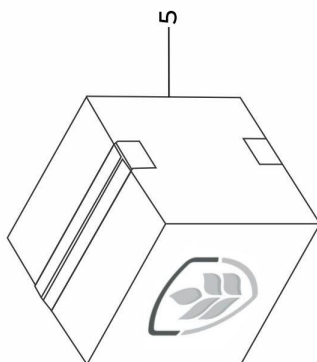
VENCE TUDO **GRANOS 10500**

VENCE TUDO

VENCE TUDO **GRANOS 10500**



VENCE TUDO[®]



3

2

4

6

5



059554 - AB LABEL KIT GRANOS CART 10500

Item	Code	Name	Amount
1	059592	LABEL YELLOW VENCE TUDO LOGO (469x755) - RESIN-COATED	1
2	059559	LABEL VENCE TUDO BAND GRANOS 10500 FRONT AND REAR (180x2970)	2
3	059558	LABEL VENCE TUDO BAND GRANOS 10500 LEFT SIDE (180x3980)	1
4	059560	LABEL VENCE TUDO RIGHT SIDE BAND (180x3980)	1
5	059567	AB LABEL KIT GRANOS STANDARD 10500 TO 16500	1
6	063559	LABEL 57 YEARS - RESIN-COATED	1
7	059554	AB LABEL KIT GRANOS CART 10500	1



VENCE TUDO

GRANOS 12500

3

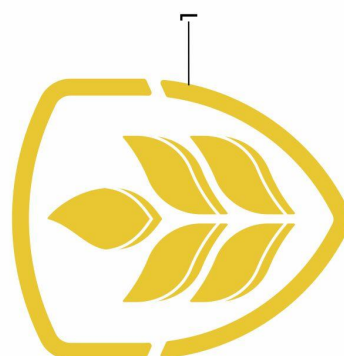
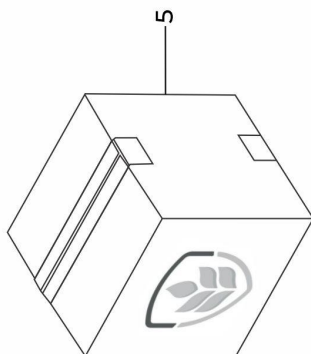
VENCE TUDO

4

VENCE TUDO

GRANOS 12500

2



VENCE TUDO®



059555 - AB LABEL KIT GRANOS CART 12500

Item	Code	Name	Amount
1	059592	LABEL YELLOW VENCE TUDO LOGO (469x755) - RESIN-COATED	1
2	059562	LABEL VENCE TUDO BAND GRANOS 12500 FRONT AND REAR (180x2970)	2
3	059561	LABEL VENCE TUDO BAND GRANOS 12500 LEFT SIDE (180x3980)	1
4	059560	LABEL VENCE TUDO RIGHT SIDE BAND (180x3980)	1
5	059567	AB LABEL KIT GRANOS STANDARD 10500 TO 16500	1
6	063559	LABEL 57 YEARS - RESIN-COATED	1
7	059555	AB LABEL KIT GRANOS CART 12500	1



VENCE TUDO **GRANOS 14500**

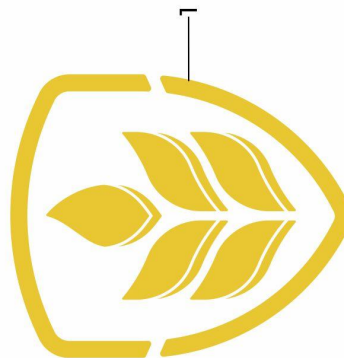
3

VENCE TUDO

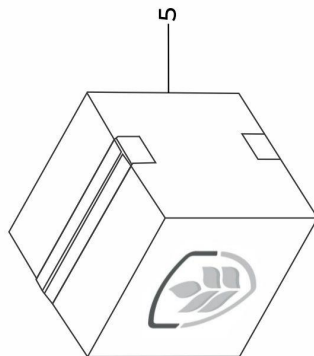
4

VENCE TUDO **GRANOS 14500**

2



1



5



6

VENCE TUDO®



059556 - AB LABEL KIT GRANOS CART 14500

Item	Code	Name	Amount
1	059592	LABEL YELLOW VENCE TUDO LOGO (469x755) - RESIN-COATED	1
2	059564	LABEL VENCE TUDO BAND GRANOS 14500 FRONT AND REAR (180x2970)	2
3	059563	LABEL VENCE TUDO BAND GRANOS 14500 LEFT SIDE (180x3980)	1
4	059560	LABEL VENCE TUDO RIGHT SIDE BAND (180x3980)	1
5	059567	AB LABEL KIT GRANOS STANDARD 10500 TO 16500	1
6	063559	LABEL 57 YEARS - RESIN-COATED	1
7	059556	AB LABEL KIT GRANOS CART 14500	1



VENCE TUDO **GRANOS 16500**

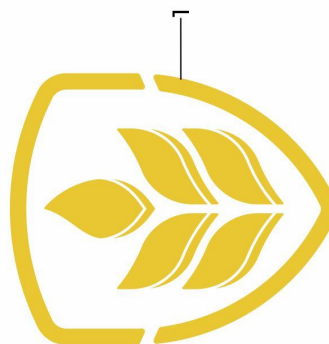
3

VENCE TUDO

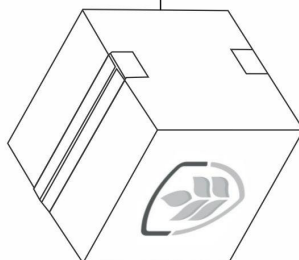
4

VENCE TUDO **GRANOS 16500**

2



5



6

VENCE TUDO®



059557 - AB LABEL KIT GRANOS CART 16500

Item	Code	Name	Amount
1	059592	LABEL YELLOW VENCE TUDO LOGO (469x755) - RESIN-COATED	1
2	059566	LABEL VENCE TUDO BAND GRANOS 16500 FRONT AND REAR (180x2970)	2
3	059565	LABEL VENCE TUDO BAND GRANOS 16500 LEFT SIDE (180x3980)	1
4	059560	LABEL VENCE TUDO RIGHT SIDE BAND (180x3980)	1
5	059567	AB LABEL KIT GRANOS STANDARD 10500 TO 16500	1
6	063559	LABEL 57 YEARS - RESIN-COATED	1
7	059557	AB LABEL KIT GRANOS CART 16500	1



VENCE TUDO

Rodovia RS 223 - Km 53 - Área Industrial - Ibirubá - Rio Grande do Sul - Brasil

 +55 54 3324-8000

 +55 54 3324-8030

vencetudo@vencetudo.ind.br | www.vencetudo.ind.br