



VENCE TUDO[®]

PARTS CATALOG

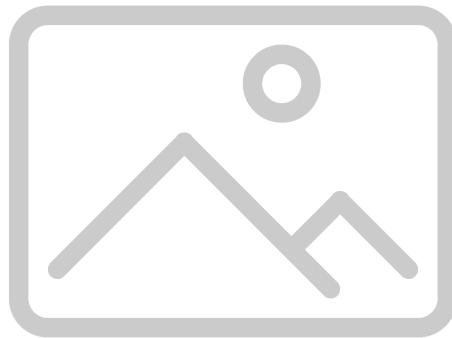


05/2021
Review 00

**GRANOS TRUCK
26000 AND 33000**



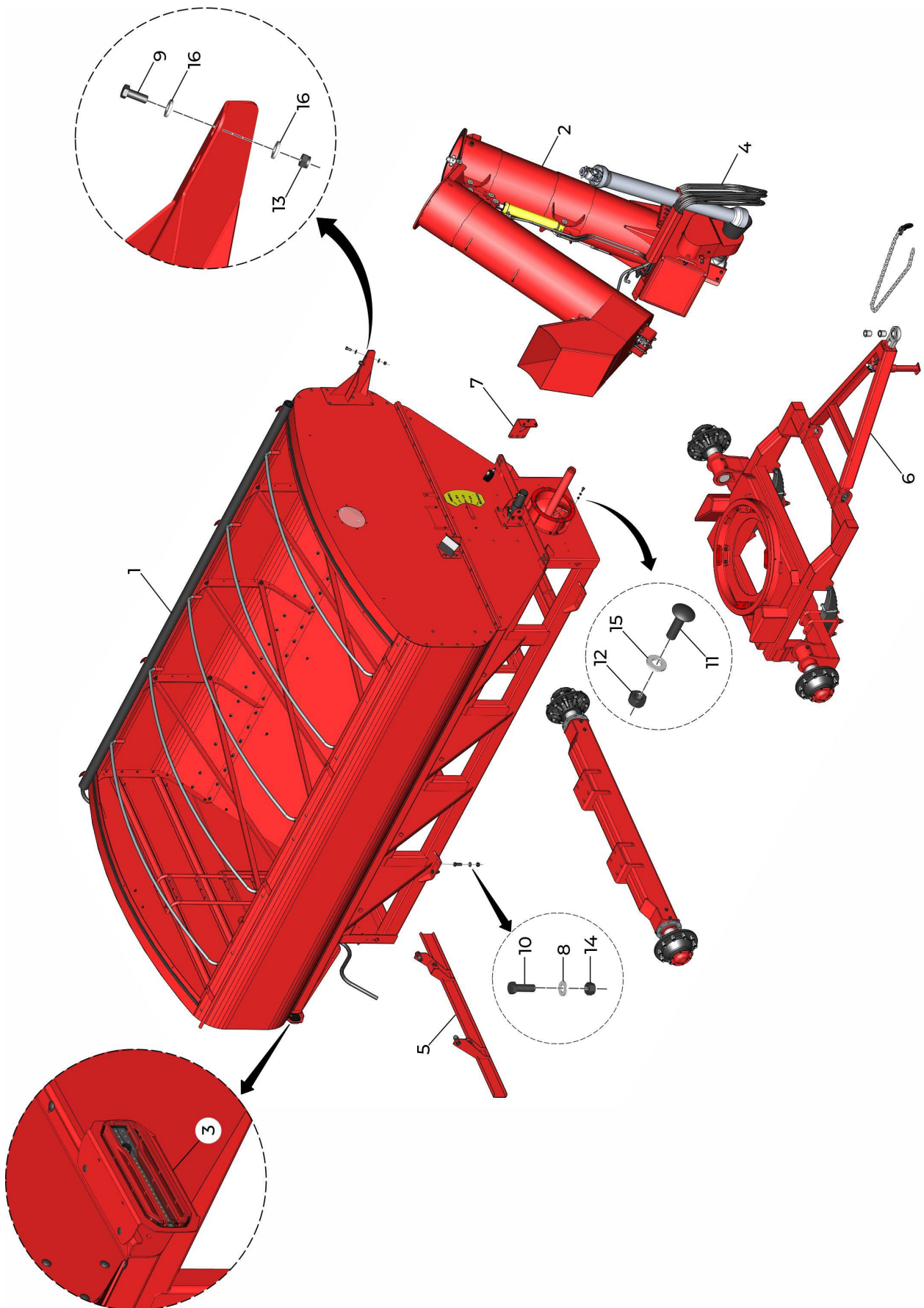
AB - GRANOS 26000 WITH 5th WHEEL	6
AB GRANOS 26000 HOPPER	8
AB CHASSIS GRANOS 26000	10
AB INTERNAL PENSTOCK GRANOS 26000	12
AB CYLINDER SUPPORT WITH PULLEY (GRANOS 26000/33000)	14
CLOSING HYDRAULIC CYLINDER (GRANOS 26000/33000)	16
AB MARKER SPIA (GRANOS 26000/33000)	18
AB BEARING – ROLLER BEARING UCFB 208	20
AB BEARING WITH UCF ROLLER BEARING 209 Ø45MM FRM	22
AB OVERHEAD GRANOS 26000	24
AB BED SUPPORT (GRANOS 26000/33000)	26
AB DISCHARGE PIPE Ø500 (GRANOS 26000/33000)	28
AB UPPER AUGER Ø500mm (GRANOS 26000/33000)	30
AB HYDRAULIC CYLINDER NOZZLE ROTATION (GRANOS 26000/33000)	32
AB TUBE CYLINDER Ø500 (GRANOS 26000/33000)	34
AB LOWER TUBE Ø500 (GRANOS 26000/33000)	36
AB SHAFT 1.3 / 8 "6 STARS X 1.3 / 8" 6 STARS WITH CLUTCH (2000mm)	38
AB AUGER ASSEMBLY BOX Ø500mm(33000) (GRANOS 26000/33000)	40
AB TENSIONER (GRANOS 26000/33000)	42
AB TRANSMISSION SHAFT (GRANOS 26000/33000)	44
LIGHTING ELECTRIC KIT GRANOS 26000 AND 33000	46
AB HOSES Ø500 PIPE(GRANOS 26000/33000)	48
AB HOSES GRANOS 26000 E 33000	50
AB TUBE PIPING Ø500	52
AB REAR BUMPER GRANOS 33000	54
AB LIFT ASSEMBLY GRANOS 33000 AND 26000	56
AB SUPPORT LEG	58
AB CART WHEEL HUB 33000 (GRANOS 26000/33000)	60
AB CHAIN 2000mm (GRANOS 26000/33000)	62
AB BOX REINFORCEMENT (GRANOS 26000/33000)	64
AB GRANOS 26000 WITH ROCKER	66
AB ROCKER LIFT ASSEMBLY GRANOS 33000 E 26000	68
AB ROCKER GRANOS 26000/33000	70
AB - GRANOS 33000 WITH 5th WHEEL	72
AB GRANOS 33000 HOPPER	74
AB CHASSIS GRANOS 33000	76
AB INTERNAL PENSTOCK GRANOS 33000	80
AB OVERHEAD 33000	82
AB GRANOS 33000 ROCKER	84
LABEL KIT	86
AB LABEL KIT GRANOS 26000 VENCE TUDO	88
AB STANDARD LABEL KIT GRANOS 26000 - 33000	90
AB LABEL KIT GRANOS 33000 VENCE TUDO	92





GRANOS CART 26000 E 33000

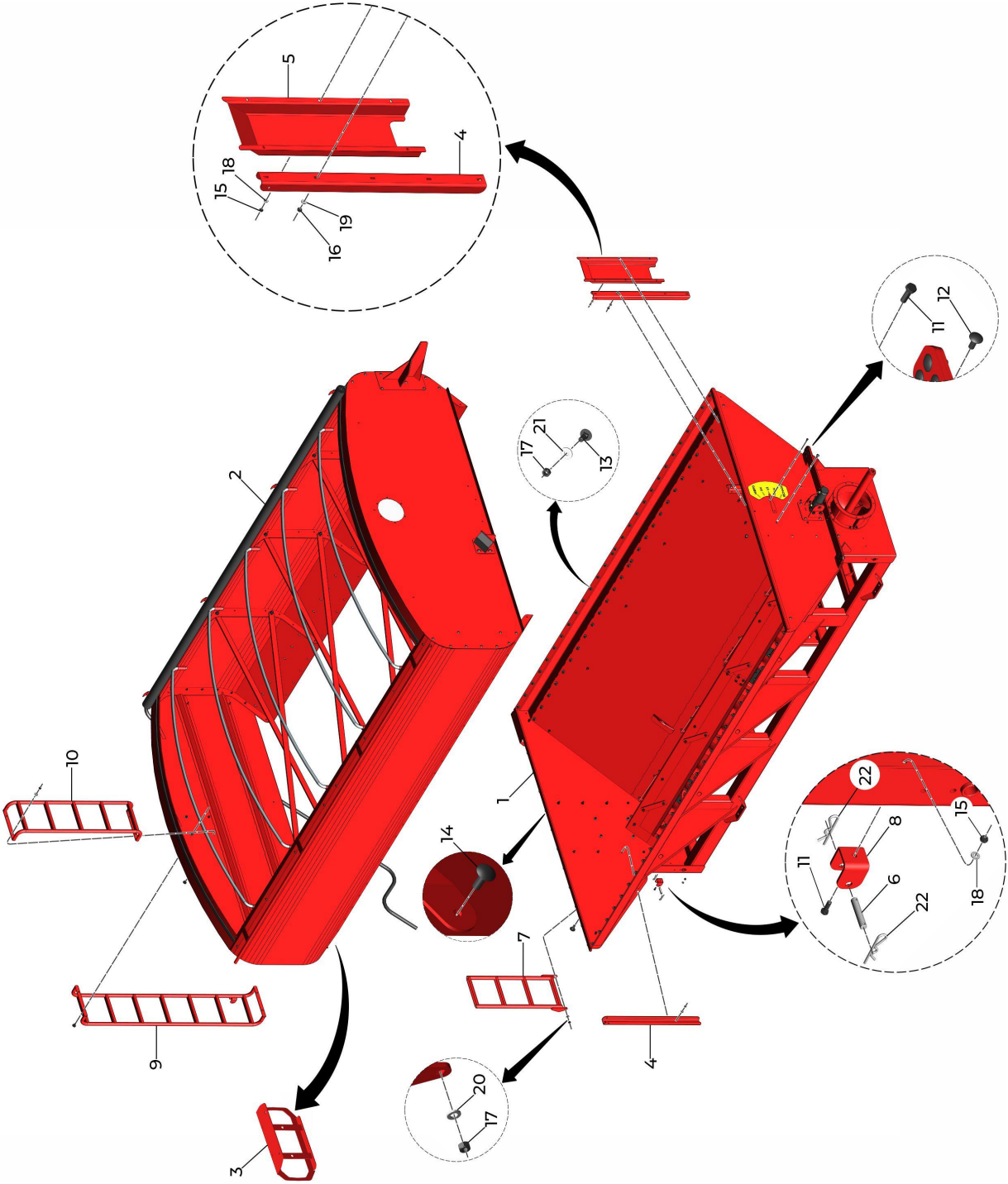
Item	Code	Name	Amount
1	022636	AB - GRANOS 26000 WITH 5th WHEEL	1
2	008937	AB GRANOS 26000 WITH ROCKER	1
3	022424	AB - GRANOS 33000 WITH 5th WHEEL	1
4	022472	AB GRANOS 33000 ROCKER	1
5	GR01	LABEL KIT	1





AB - GRANOS 26000 WITH 5th WHEEL

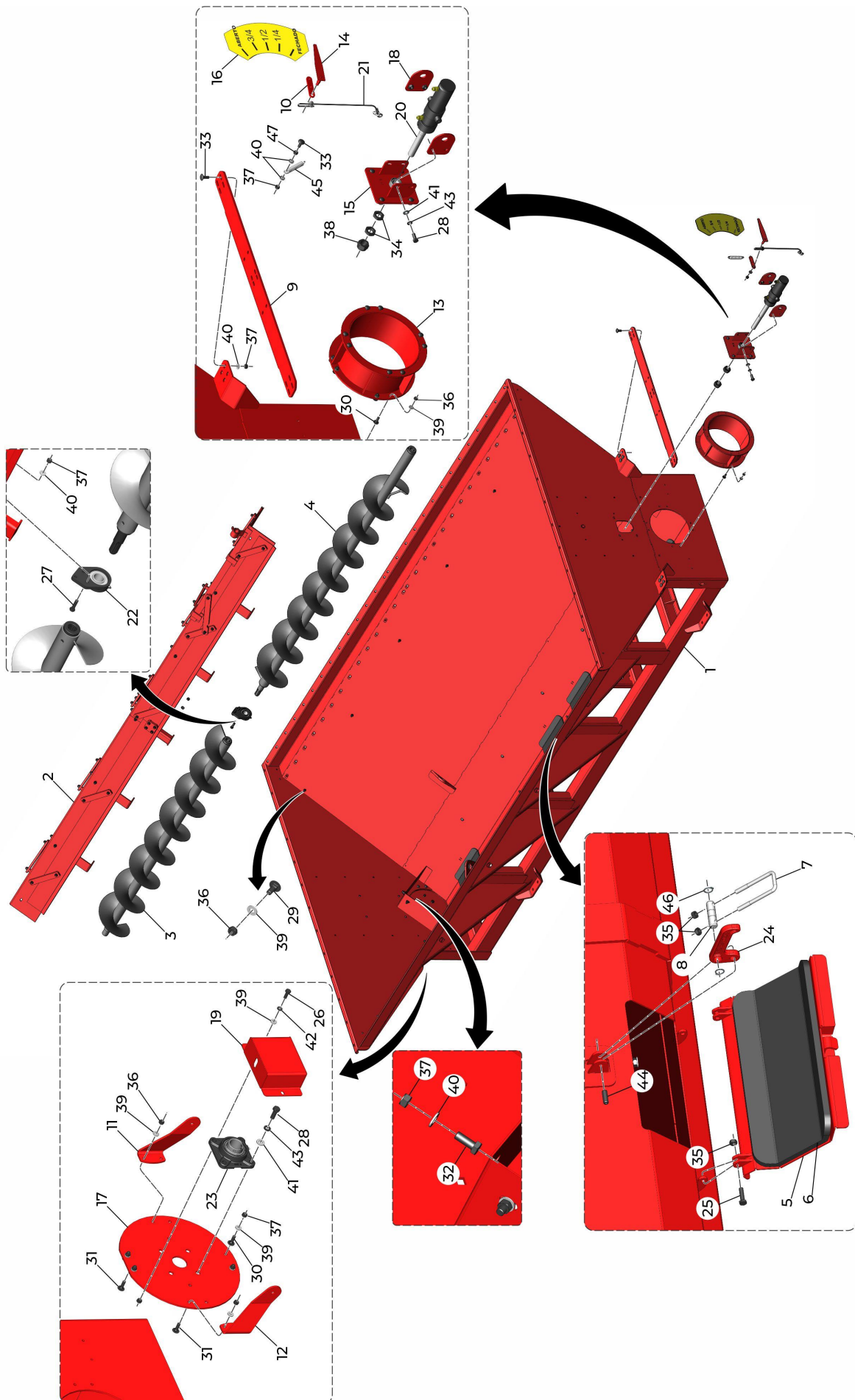
Item	Code	Name	Amount
1	008882	AB GRANOS 26000 HOPPER	1
2	021447	AB DISCHARGE PIPE Ø500 (GRANOS 26000/33000)	1
3	022410	LIGHTING ELECTRIC KIT GRANOS 26000 AND 33000	1
4	022535	AB HOSES Ø500 PIPE(GRANOS 26000/33000)	1
5	310230032	AB REAR BUMPER GRANOS 33000	1
6	310231002	AB LIFT ASSEMBLY GRANOS 33000 AND 26000	1
7	310231035	AB BOX REINFORCEMENT (GRANOS 26000/33000)	1
8	401042005	FLAT WASHER Ø20.5 x Ø40 x 3 ZB	16
9	901325040	HEX HEAD BOLT M16x2.0x40 DIN 933 8.8 ZFP	2
10	901332060	HEX HEAD BOLT M20x2.5x60 DIN 931 8.8 ZFP	16
11	902312035	CARRIAGE BOLT M10x1.5x35 DIN 603 8.8 ZFP	8
12	920111001	HEX LOCK NUT M10 x 1.5 DIN EN ISO 10511 ZFP	8
13	920111601	HEX LOCK NUT M16 x 2.0 DIN 985 ZFP	2
14	920112001	HEX LOCK NUT M20 x 2.5 DIN EN ISO 10511 ZFP	16
15	921030010	FLAT WASHER Ø10.5 x Ø21 x 2 DIN125A ZCA	8
16	921040074	FLAT WASHER Ø16.5 x Ø35 x 4.75 ZCA	4
17	022636	AB - GRANOS 26000 WITH 5th WHEEL	1





AB GRANOS 26000 HOPPER

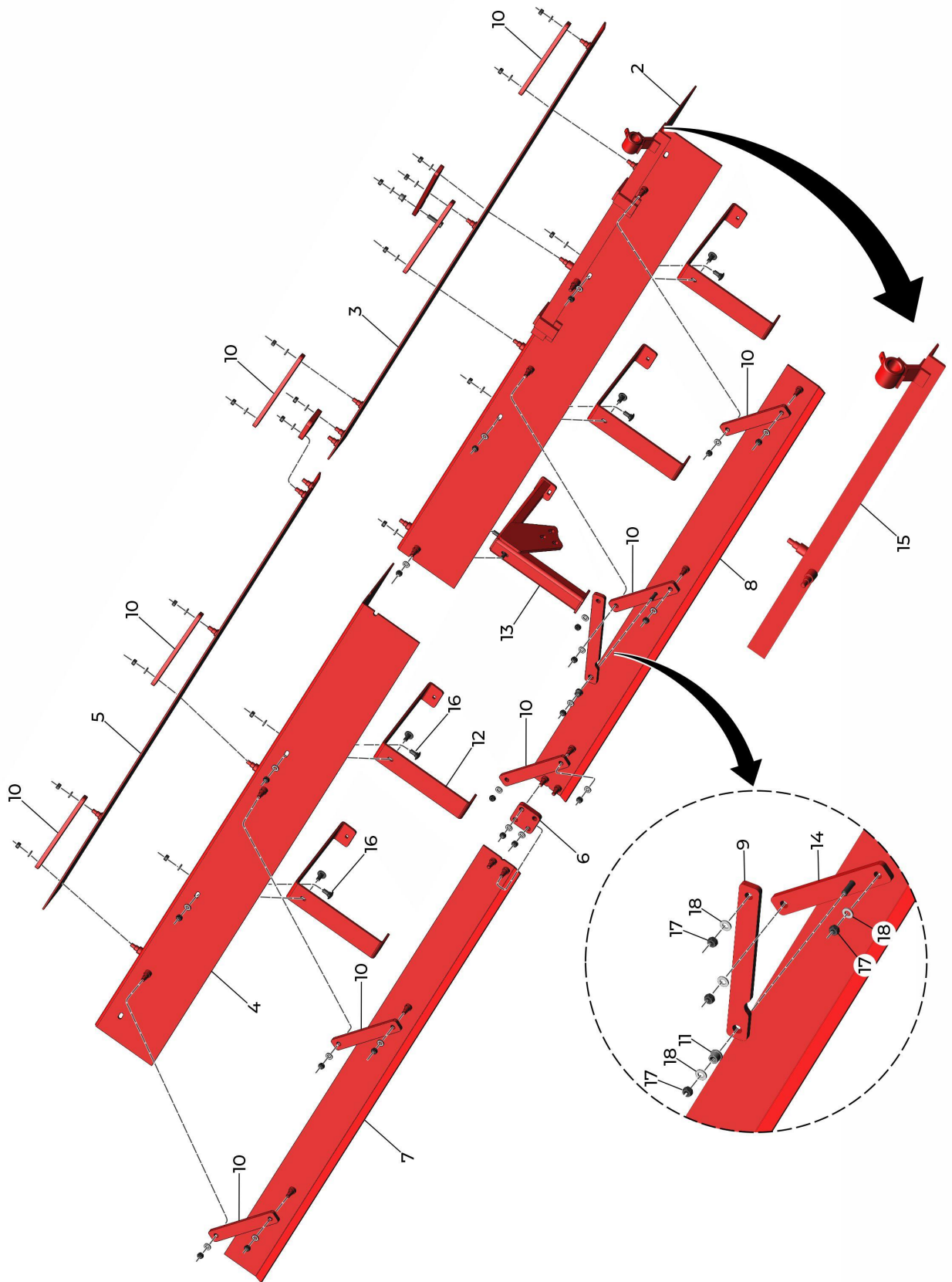
Item	Code	Name	Amount
1	008866	AB CHASSIS GRANOS 26000	1
2	008879	AB OVERHEAD GRANOS 26000	1
3	021928	SB LIGHT SIGN SUPPORT	2
4	310110035	VERTICAL REINFORCEMENT PROFILE	4
5	310121037	SB SPIA PROTECTION	1
6	310210303	PIN	3
7	310220030	LADDER	1
8	310220088	SB TARP PIPE HITCH	2
9	330120033	SB EXTERNAL LADDER	1
10	330121016	SB SMALLER LADDER	1
11	901309025	HEX HEAD BOLT M8x1.25x25 DIN 933 8.8 ZFP	8
12	902312030	FRENCH BOLT M10x1.5x30 DIN 603 8.8 ZFP	50
13	902316030	CARRIAGE BOLT M12x1.75x30 DIN 603 8.8 ZFP x 10	120
14	902316035	FRENCH BOLT M12x1.75x35 DIN 603 8.8 ZFP	2
15	920110809	HEX LOCK NUT M8 x 1.25 DIN 985 10.9 ZFP	8
16	920111001	HEX LOCK NUT M10 x 1.5 DIN EN ISO 10511 ZFP	50
17	920111201	HEX LOCK NUT M12 x 1.75 DIN EN ISO 10511 ZFP	122
18	921030008	FLAT WASHER Ø8.4 x Ø17 x 1.5 DIN125 ZCA	14
19	921030010	FLAT WASHER Ø10.5 x Ø21 x 2 DIN125A ZCA	50
20	921030012	FLAT WASHER Ø13 x Ø24 x 2.5 DIN125A ZCA	2
21	921040073	FLAT WASHER Ø12.5 x Ø30 x 2 ZCA	120
22	922051848	LOCK PIN R 4.0 x 75 ZCA	6
23	008882	AB GRANOS 26000 HOPPER	1





AB CHASSIS GRANOS 26000

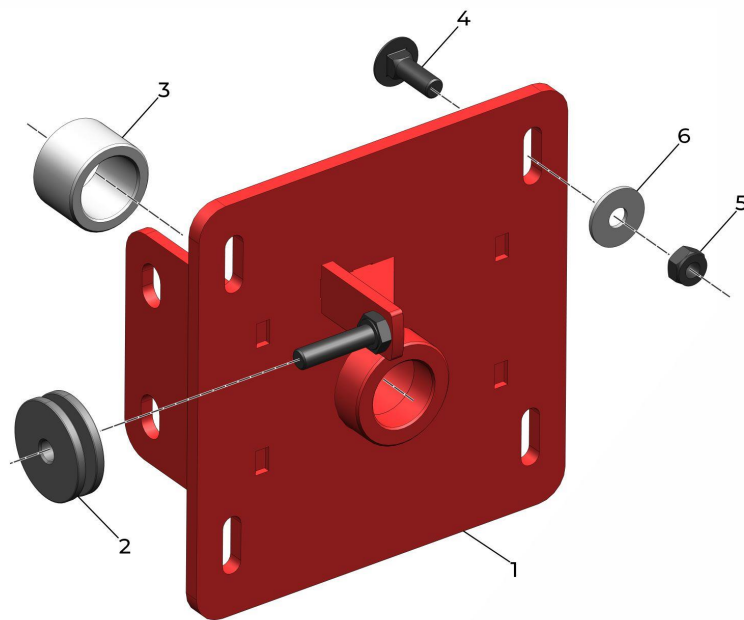
Item	Code	Name	Amount
1	008860	SB CHASSIS GRANOS 26000	1
2	008871	AB INTERNAL PENSTOCK GRANOS 26000	1
3	008903	SB HELICOID Ø317 X 2573 REAR SWIPPER	1
4	008906	SB HELICOID Ø317 X 3257 FRONT SWIPPER	1
5	012175	SB PENSTOCK COVER	4
6	012828	PENSTOCK PROTECTION FOAM	4
7	200240001	CLAMP M8	4
8	200240002	PIN	4
9	310110119	CYLINDER SUPPORT PLATE	1
10	310110231	SPIA TRACTION PLATE	1
11	310110319	LADDER SUPPORT (D)	1
12	310110329	LADDER SUPPORT (E)	1
13	310120019	SB AUGER AND FUNIL UNION	1
14	310120038	SB PENSTOCK LEVER	1
15	310131012	AB CYLINDER SUPPORT WITH PULLEY (GRANOS 26000/33000)	1
16	310140026	INDICATING LABEL	1
17	310220053	SB AUGER REAR COVER	1
18	310220106	SB CLOSING PISTON FIXER	2
19	310220107	SB PROTECTION OF REAR HELICOID OUTLET	1
20	310230020	CLOSING HYDRAULIC CYLINDER (GRANOS 26000/33000)	1
21	310230021	AB MARKER SPIA (GRANOS 26000/33000)	1
22	310231033	AB BEARING – ROLLER BEARING UCFB 208	1
23	751031001	AB BEARING WITH UCF ROLLER BEARING 209 Ø45MM FRM	1
24	900005502	HOPPER HITCH LEVER	4
25	901309030	HEX HEAD BOLT M8x1.25x30 DIN 933 8.8 ZFP	8
26	901313030	HEX HEAD BOLT M10x1.5x30 DIN 933 8.8 ZFP	2
27	901316050	HEX HEAD BOLT M12x1.75x50 DIN 931 8.8 ZFP	3
28	901360007	HEX HEAD BOLT M14x2.0x40 DIN 933 8.8 ZFP	8
29	902312030	FRENCH BOLT M10x1.5x30 DIN 603 8.8 ZFP	23
30	902312035	CARRIAGE BOLT M10x1.5x35 DIN 603 8.8 ZFP	12
31	902312040	CARRIAGE BOLT M10x1.5x40 DIN 603 8.8 ZFP	4
32	902316030	CARRIAGE BOLT M12x1.75x30 DIN 603 8.8 ZFP x 10	4
33	902316035	FRENCH BOLT M12x1.75x35 DIN 603 8.8 ZFP	9
34	920003002	HEX NUT M30 x 2.0 DIN 934 ZFP	2
35	920110801	HEX LOCK NUT M8 x 1.25 DIN EN ISO 10511 ZFP	16
36	920111001	HEX LOCK NUT M10 x 1.5 DIN EN ISO 10511 ZFP	39
37	920111201	HEX LOCK NUT M12 x 1.75 DIN EN ISO 10511 ZFP	17
38	920113002	HEX LOCK NUT M30 x 2.0 DIN EN ISO 10511 ZFP	1
39	921030010	FLAT WASHER Ø10.5 x Ø21 x 2 DIN125A ZCA	40
40	921030012	FLAT WASHER Ø13 x Ø24 x 2.5 DIN125A ZCA	18
41	921030014	FLAT WASHER Ø15 x Ø28 x 2.5 DIN125A ZCA	8
42	921050010	SPRING LOCK WASHER B10 DIN 127 ZFP	2
43	921050014	SPRING LOCK WASHER B14 DIN 127 ZFP	8
44	922013027	SPRING PIN 10x28 DIN 1481	4
45	936002009	SPRING	1
46	923101016	RETAINING RING E16 DIN 471	8
47	920001201	HEX NUT M12 x 1.75 DIN 934 ZFP	1
48	008866	AB CHASSIS GRANOS 26000	1





AB INTERNAL PENSTOCK GRANOS 26000

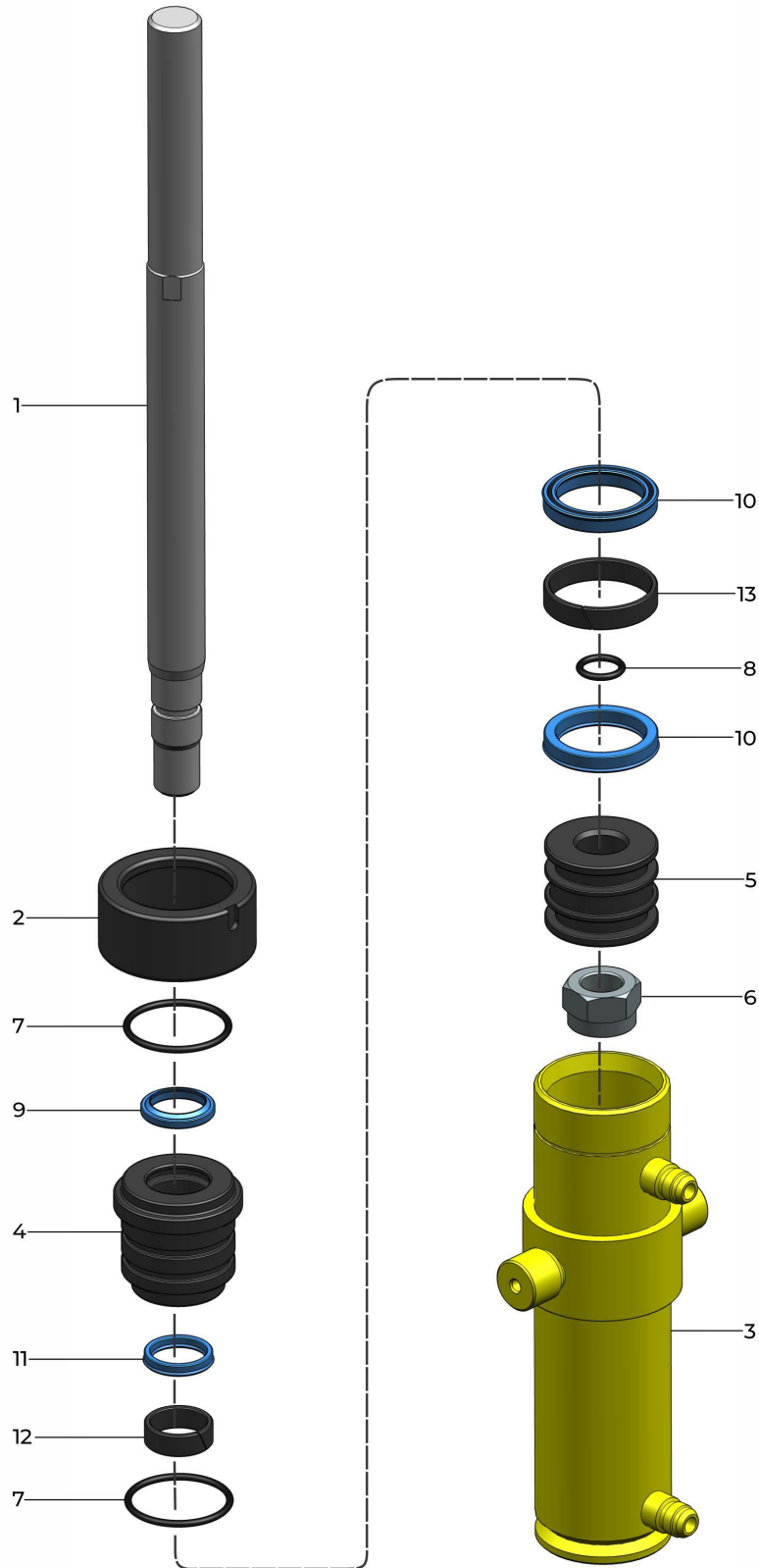
Item	Code	Name	Amount
2	008870	SB FRONT GUTTER	1
3	008874	SB LEFT FRONT PENSTOCK	1
4	016546	SB REAR GUTTER	1
5	021718	SB INTERNAL GUTTER PENSTOCK	1
6	021719	PENSTOCK BLANCK UNION	2
7	021722	SB RIGHT REAR PENSTOCK	1
8	021723	SB RIGHT FRONT PENSTOCK	1
9	310110204	FITTING PLATE	2
10	310110206	FITTING PLATE 2 POINTS	8
11	310110207	ARTICULATION BUSHING	2
12	310111107	GUTTER FIXATION PLATE	4
13	310220074	SB GUTTER SUPPORT	1
14	310220094	SB JOINT PLATE WITH SCREW	2
15	310221079	SB PENSTOCK OPENING	1
16	902316030	CARRIAGE BOLT M12x1.75x30 DIN 603 8.8 ZFP x 10	10
17	920111201	HEX LOCK NUT M12 x 1.75 DIN EN ISO 10511 ZFP	42
18	921030012	FLAT WASHER Ø13 x Ø24 x 2.5 DIN125A ZCA	42
19	008871	AB INTERNAL PENSTOCK	1





AB CYLINDER SUPPORT WITH PULLEY (GRANOS 26000/33000)

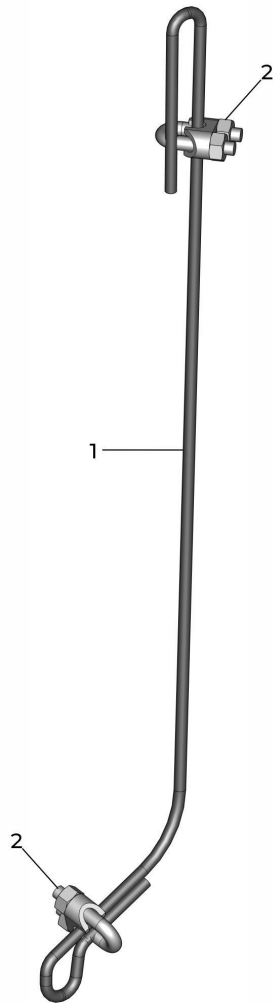
Item	Code	Name	Amount
1	310121036	SB CYLINDER HOUSING PENSTOCK	1
2	310210360	PULLEY 33000	1
3	310210418	BUSHING Ø45mm	1
4	902312030	FRENCH BOLT M10x1.5x30 DIN 603 8.8 ZFP	4
5	920111001	HEX LOCK NUT M10 x 1.5 DIN EN ISO 10511 ZFP	4
6	921010010	FLAT WASHER Ø10.5 x Ø30 x 2 DIN 9021 ZCA	4
7	310131012	AB CYLINDER SUPPORT WITH PULLEY	1





CLOSING HYDRAULIC CYLINDER (GRANOS 26000/33000)

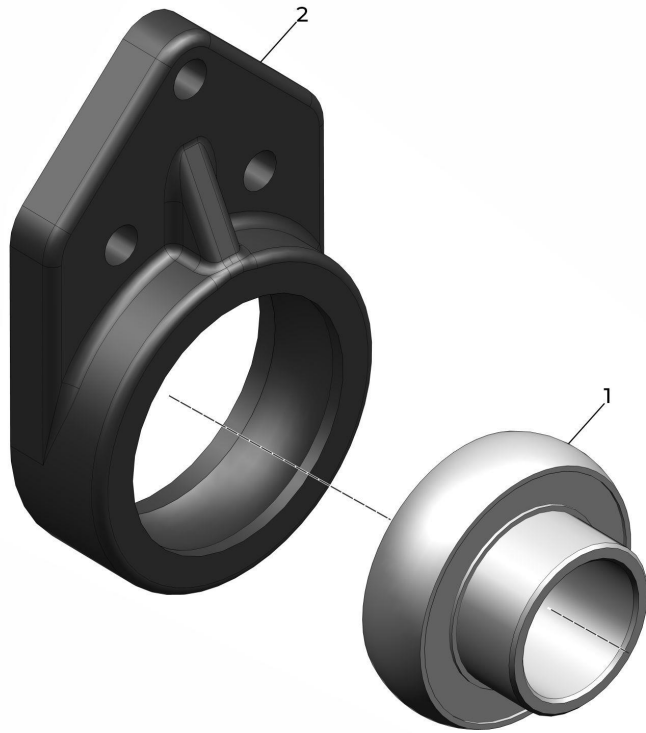
Item	Code	Name	Amount
1	050110108	ROD 1.1/4" X 485	1
2	050810002	PIPE NUT 3" x M76	1
3	310220087	SB SEALING PIPE	1
4	651000001	TG. Ø1 1/2" x Ø2 1/2" x 67mm	1
5	654000001	PLUNGER Ø2.1/2" x F28 x 50mm	1
6	920116002	HEX LOW LOCK NUT 1" UNF ZC	1
7	932055706	O'RING 3.53 X 53.57 X 6063 (2227)	2
8	932055721	O'RING 20.22 x 3.53 2211(PARKER)	1
9	932056716	SCRAPER RING 31,75 X 41,27 X 4,76 - D1250	1
10	932056852	GASKET (25002000375)2"x 21/2"x 3/8"	2
11	932056859	GASKET (12501250250B)31.75 x 38.10 x 6.35	1
12	932058117	GUIDE RING 11/2" W2-1500-500	1
13	932058119	GUIDE RING 21/2" W2-2500-500	1
14	310230020	CLOSING HYDRAULIC CYLINDER	1





AB MARKER SPIA (GRANOS 26000/33000)

Item	Code	Name	Amount
1	310240035	STEEL SPIA (3/16")-Ø4,75mm	1
2	980280018	CLIPS FOR STEEL CABLE 1/4" x 2	2
3	310230021	AB MARKER SPIA	1





AB BEARING – ROLLER BEARING UC208

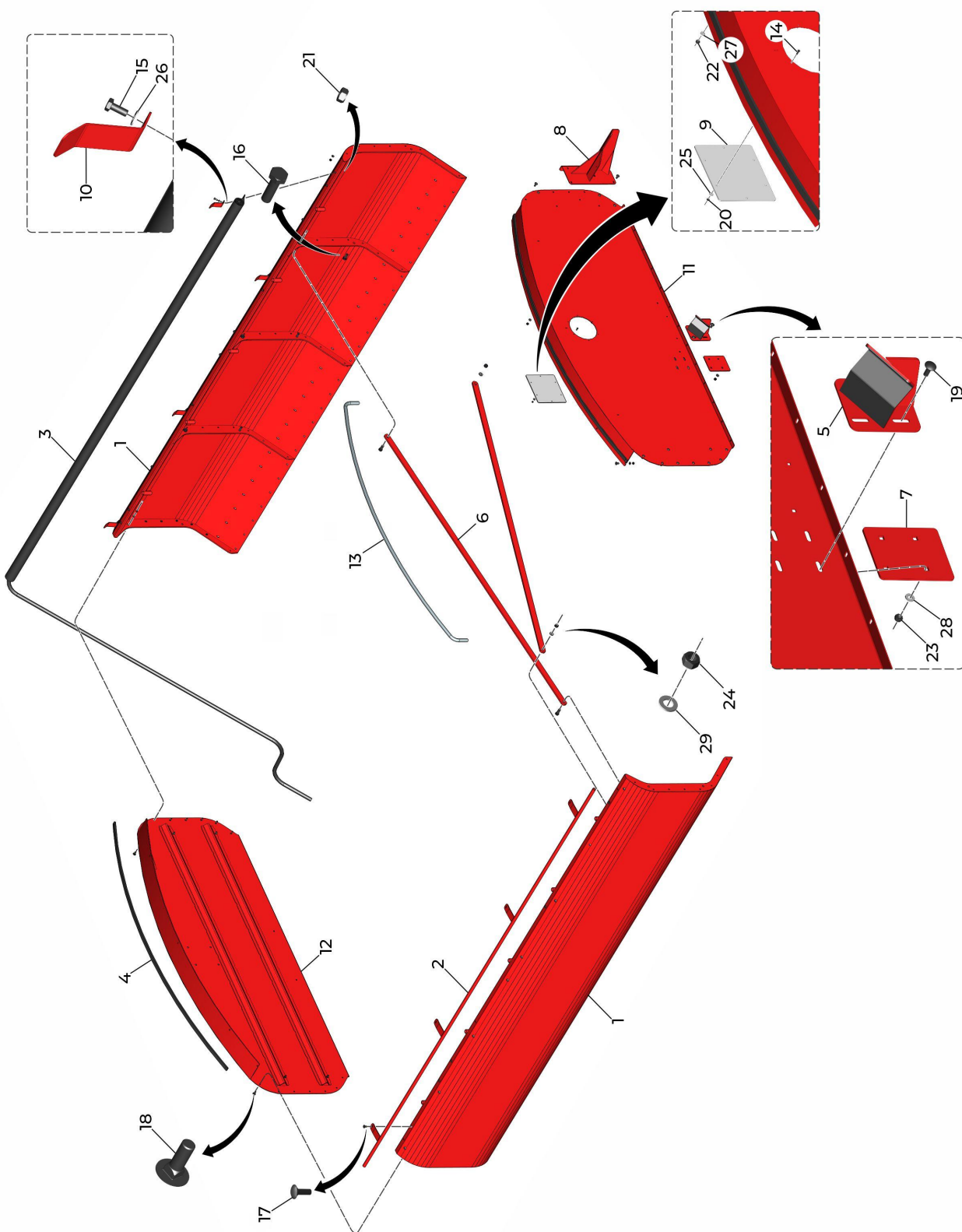
Item	Code	Name	Amount
1	900760058	ROLLER BEARING UC208	1
2	900760059	BEARING FB 208	1
3	310231033	AB BEARING – ROLLER BEARING UC208	1





AB BEARING WITH UCF ROLLER BEARING 209 Ø45MM FRM

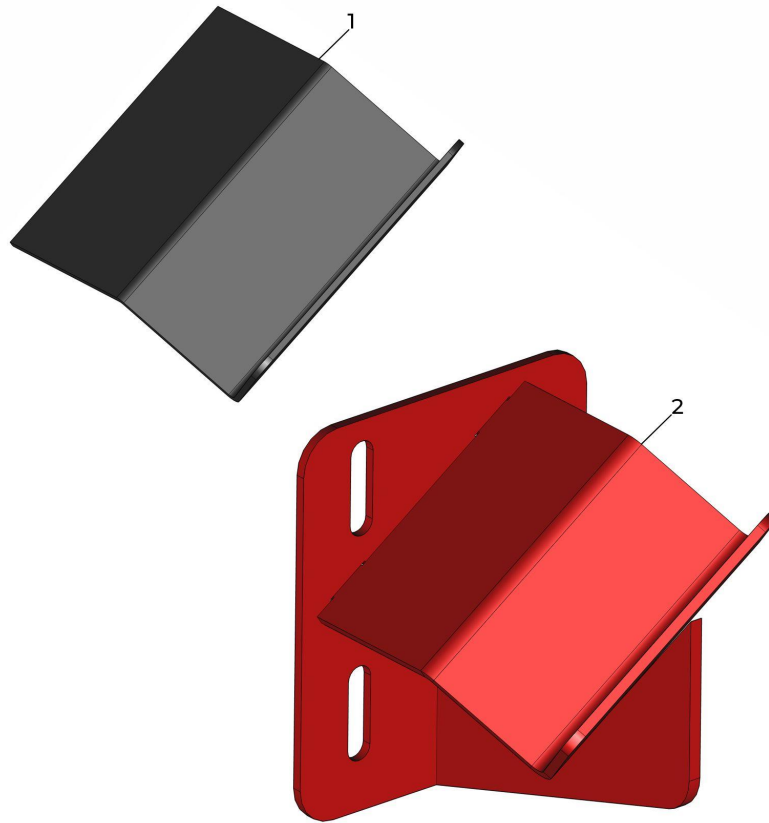
Item	Code	Name	Amount
1	970102228	BEARING F 209 QUAD FRM	1
2	990040027	ROLLER BEARING UC 209 MSB	1
3	751031001	AB BEARING WITH UCF ROLLER BEARING 209 Ø45MM FRM	1





AB OVERHEAD GRANOS 26000

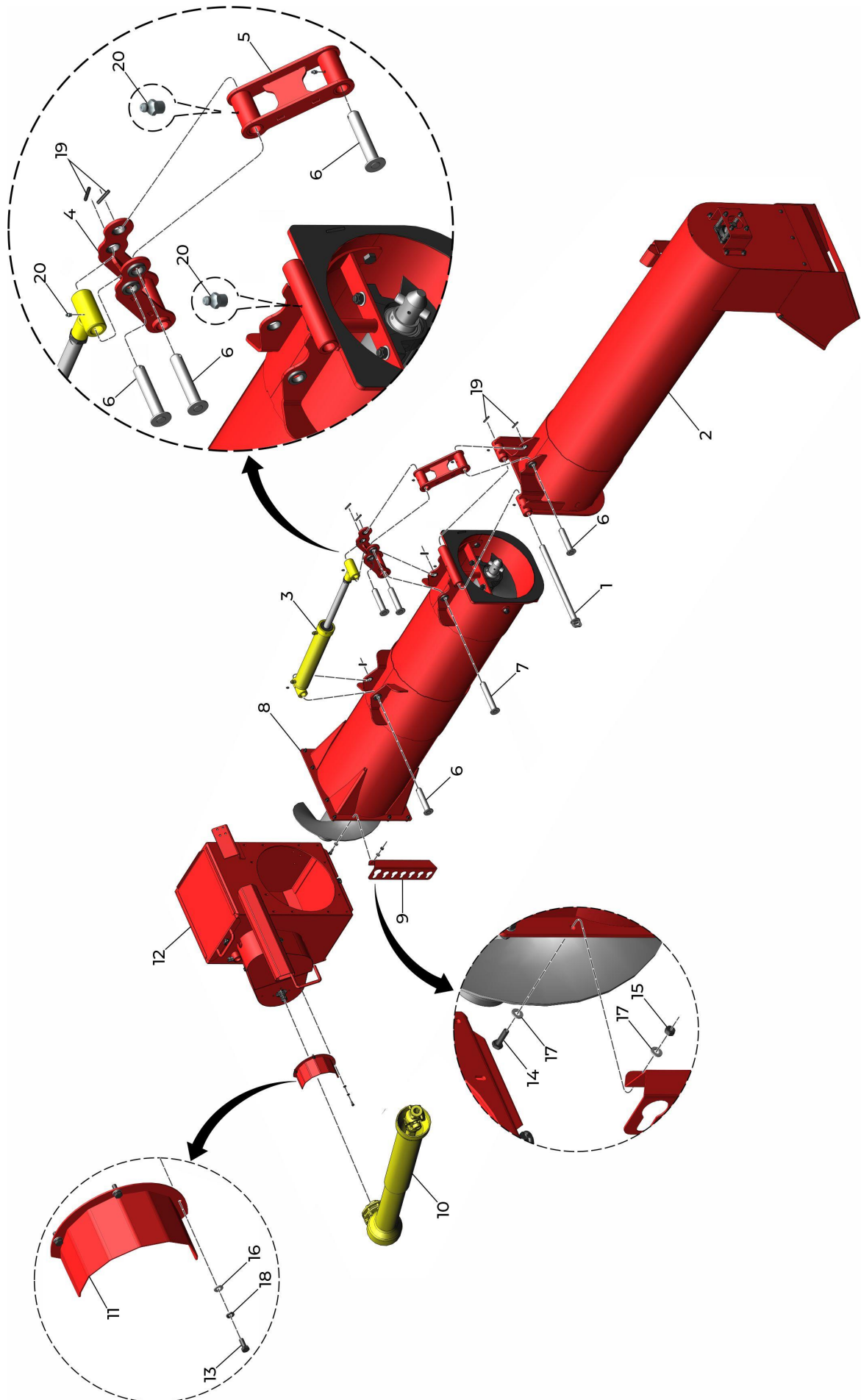
Item	Code	Name	Amount
1	008881	SB SIDE UPPER FUNIL	2
2	008900	SB TARP LANDING	1
3	008902	AB TARP GRANOS 25000	1
4	011170	TARP SEALING RUBBER	2
5	042152	AB BED SUPPORT (GRANOS 26000/33000)	1
6	310110272	SUPPORT PLATE	6
7	310111213	REMOVER PLATE	1
8	310121063	SB AUGER SUPPORT	1
9	310210293	ACRYLIC COVER	1
10	310210410	TARP SUPPORT	4
11	310220092	SB FRONT OVERHEAD PLATE	1
12	310220093	SB REAR OVERHEAD PLATE	1
13	320510123	CART TARP BOW - 12,5 x 5	5
14	901305020	HEX HEAD BOLT M6x1.0x20 DIN 933 8.8 ZFP	6
15	901309025	HEX HEAD BOLT M8x1.25x25 DIN 933 8.8 ZFP	8
16	901328050	HEX HEAD BOLT M18x2.5x50 DIN 931 8.8 ZFP	12
17	902312025	FRENCH BOLT M10x1.5x25 DIN 603 8.8 ZFP	20
18	902312030	FRENCH BOLT M10x1.5x30 DIN 603 8.8 ZFP	37
19	902316035	FRENCH BOLT M12x1.75x35 DIN 603 8.8 ZFP	4
20	920110601	HEX LOCK NUT M6 x 1.0 DIN EN ISO 10511 ZFP	6
21	920110801	HEX LOCK NUT M8 x 1.25 DIN EN ISO 10511 ZFP	8
22	920111001	HEX LOCK NUT M10 x 1.5 DIN EN ISO 10511 ZFP	57
23	920111201	HEX LOCK NUT M12 x 1.75 DIN EN ISO 10511 ZFP	4
24	920111801	HEX LOCK NUT M18 x 2.5 DIN EN ISO 10511 ZFP	12
25	921010006	FLAT WASHER Ø6.4 x Ø18 x 1.5 DIN 9021 ZCA	6
26	921030008	FLAT WASHER Ø8.4 x Ø17 x 1.5 DIN125 ZCA	16
27	921030010	FLAT WASHER Ø10.5 x Ø21 x 2 DIN125A ZCA	57
28	921030012	FLAT WASHER Ø13 x Ø24 x 2.5 DIN125A ZCA	4
29	921030018	FLAT WASHER Ø19 x Ø34 x 3 DIN125A ZCA	12
30	008879	AB SHAFT 1.3 / 8 "6 STARS X 1.3 / 8" 6 STARS WITH CLUTCH (2000mm)	1





AB BED SUPPORT (GRANOS 26000/33000)

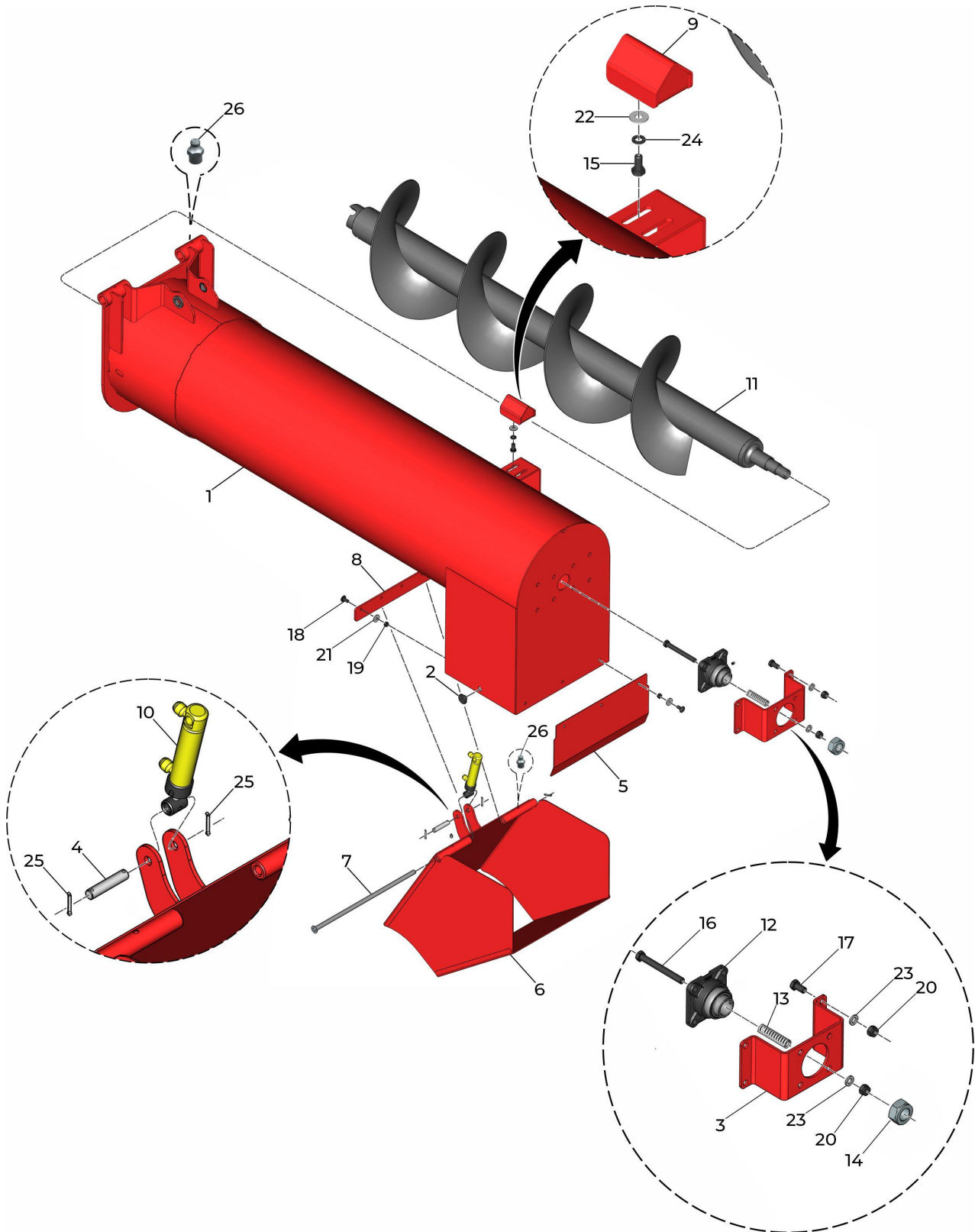
Item	Code	Name	Amount
1	041691	PIPE REST BED RUBBER	1
2	310221076	SB BED SUPPORT	1
3	042152	AB BED SUPPORT	1





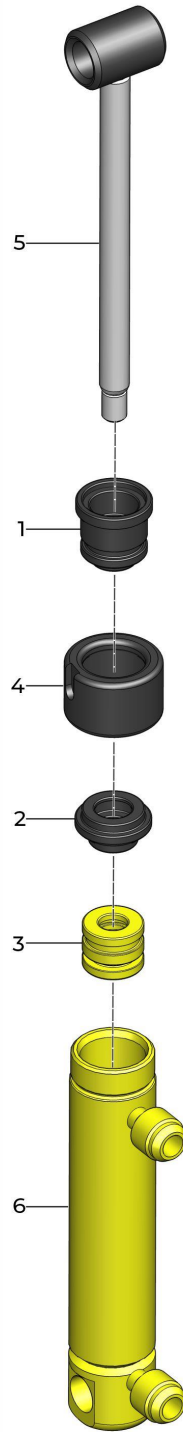
AB DISCHARGE PIPE Ø500 (GRANOS 26000/33000)

Item	Code	Name	Amount
1	021427	SB DISCHARGE PIPE ARTICULATION PIN	1
2	021429	AB UPPER AUGER Ø500mm (GRANOS 26000/33000)	1
3	021566	AB TUBE CYLINDER Ø500 (GRANOS 26000/33000)	1
4	021578	SB PIPE ARTICULATION Ø500	1
5	021586	SB SMALLER ARTICULATOR	1
6	021611	SB DISCHARGE PIPE ARTICULATION PIN	4
7	021614	SB DISCHARGE PIPE ARTICULATION PIN	1
8	021984	AB LOWER TUBE Ø500 (GRANOS 26000/33000)	1
9	310110252	HOSE SUPPORT	1
10	310140034	AB SHAFT 1.3 / 8 "6 STARS X 1.3 / 8" 6 STARS WITH CLUTCH (2000mm) (GRANOS 26000/33000)	1
11	310220109	SB SHAFT PROTECTION	1
12	310231021	AB AUGER ASSEMBLY BOX Ø500mm(33000) (GRANOS 26000/33000)	1
13	901309020	HEX HEAD BOLT M8x1.25x20 DIN 933 8.8 ZFP	3
14	901313035	HEX HEAD BOLT M10x1.5x35 DIN 933 8.8 ZFP	12
15	920111001	HEX LOCK NUT M10 x 1.5 DIN EN ISO 10511 ZFP	12
16	921030008	FLAT WASHER Ø8.4 x Ø17 x 1.5 DIN125 ZCA	3
17	921030010	FLAT WASHER Ø10.5 x Ø21 x 2 DIN125A ZCA	24
18	921050008	SPRING LOCK WASHER B8 DIN 127 ZFP	3
19	922012838	SPRING PIN 8 x 50 DIN 1481	6
20	924080000	STRAIGHT GREASE NIPPLE M8 x 1 DIN71412	5
21	021447	AB DISCHARGE PIPE Ø500	1



**AB UPPER AUGER Ø500mm (GRANOS 26000/33000)**

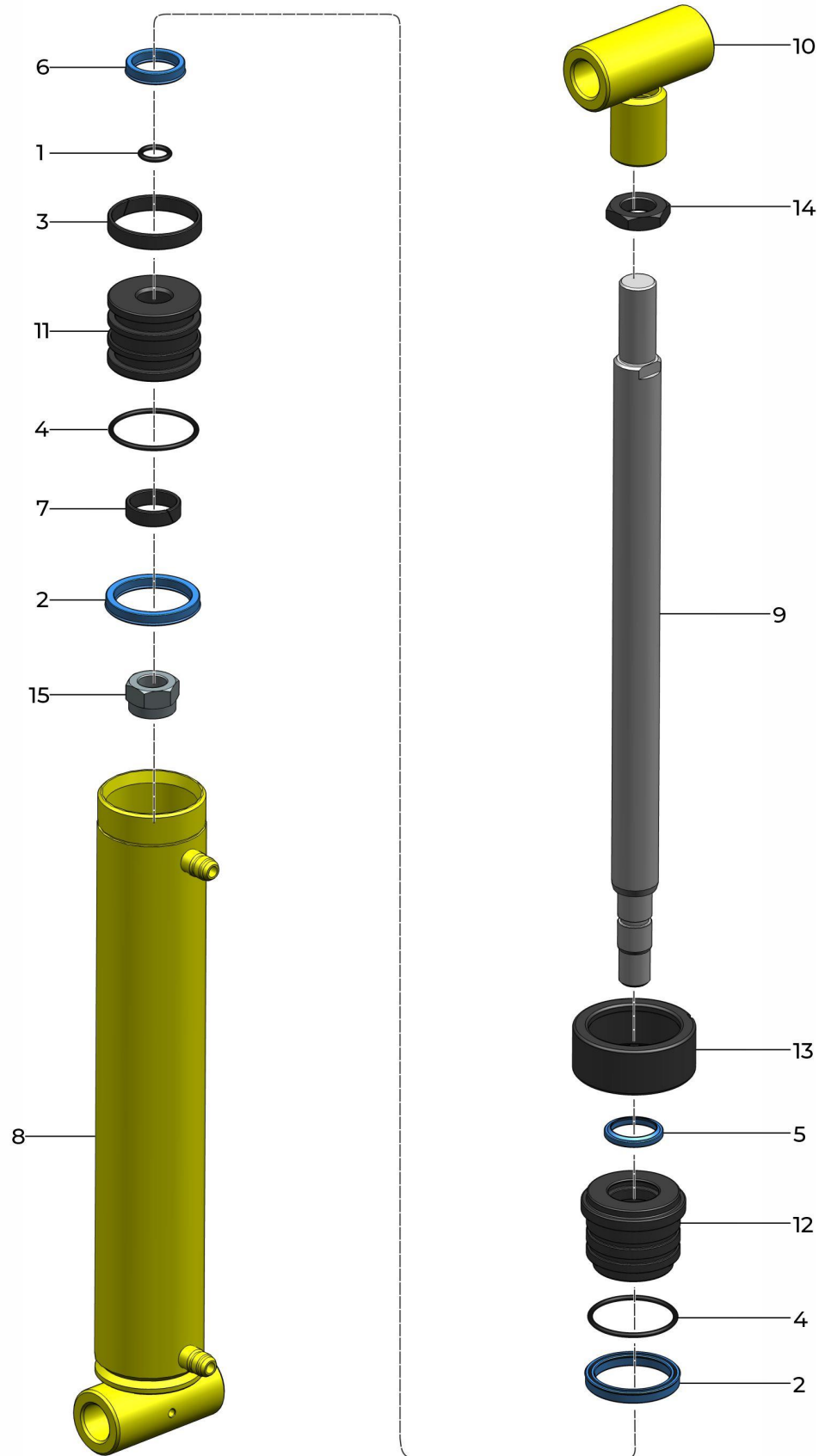
Item	Code	Name	Amount
1	021430	SB UPPER AUGER Ø500mm	1
2	203040008	SLIDER	2
3	310110325	UPPER AUGER SPRING SUPPORT	1
4	310210375	CYLINDER PIN NOZZLE TURN	2
5	310211027	UPPER PROTECTION	1
6	310220031	SB MOBILE DISCHARGE	1
7	310220101	SB NOZZLE ARTICULATION PIN	1
8	310220102	NOZZLE ARTICULATOR	1
9	310221021	SB BED GUIDE	1
10	310230023	AB HYDRAULIC CYLINDER NOZZLE ROTATION (GRANOS 26000/33000)	1
11	310240034	SB HELICOID Ø473 X 2400mm	1
12	751031001	AB BEARING WITH UCF ROLLER BEARING 209 Ø45MM FRM	1
13	771029008	COMPRESSION SPRING (Ø23,5 X 100mm)	4
14	901160112	HIGH HEX LOCK NUT 1.1/2" UNF	1
15	901317025	HEX HEAD BOLT M12x1.75x25 DIN 933 8.8 ZFP	2
16	901324150	HEX HEAD BOLT M16x2.0x150 DIN 931 8.8 ZFP	4
17	901325030	HEX HEAD BOLT M16x2.0x30 DIN 933 8.8 ZFP	4
18	902312025	FRENCH BOLT M10x1.5x25 DIN 603 8.8 ZFP	10
19	920111001	HEX LOCK NUT M10 x 1.5 DIN EN ISO 10511 ZFP	10
20	920111601	HEX LOCK NUT M16 x 2.0 DIN 985 ZFP	8
21	921010010	FLAT WASHER Ø10.5 x Ø30 x 2 DIN 9021 ZCA	8
22	921040073	FLAT WASHER Ø12.5 x Ø30 x 2 ZCA	2
23	921040107	FLAT WASHER Ø16.5 x Ø28 x 3	8
24	921050012	SPRING LOCK WASHER B12 DIN 127 ZFP	2
25	922171828	COTTER PIN 4 x 30 DIN94 ZCA	5
26	924080000	STRAIGHT GREASE NIPPLE M8 x 1 DIN71412	5
27	021429	AB UPPER AUGER Ø500mm	1





AB HYDRAULIC CYLINDER NOZZLE ROTATION (GRANOS 26000/33000)

Item	Code	Name	Amount
1	050310047	GUIDE COVER Ø25 X Ø12 PART.2	1
2	050310048	GUIDE COVER Ø25 X Ø12 PART.1	1
3	050410047	PISTON Ø25 X F10	1
4	050810011	PIPE NUT Ø30mm	1
5	310220089	SB CYLLINDER ROD 310230023	1
6	310220090	SB CYLINDER TUBE 310230023	1
7	310230023	AB HYDRAULIC CYLINDER NOZZLE ROTATION	1

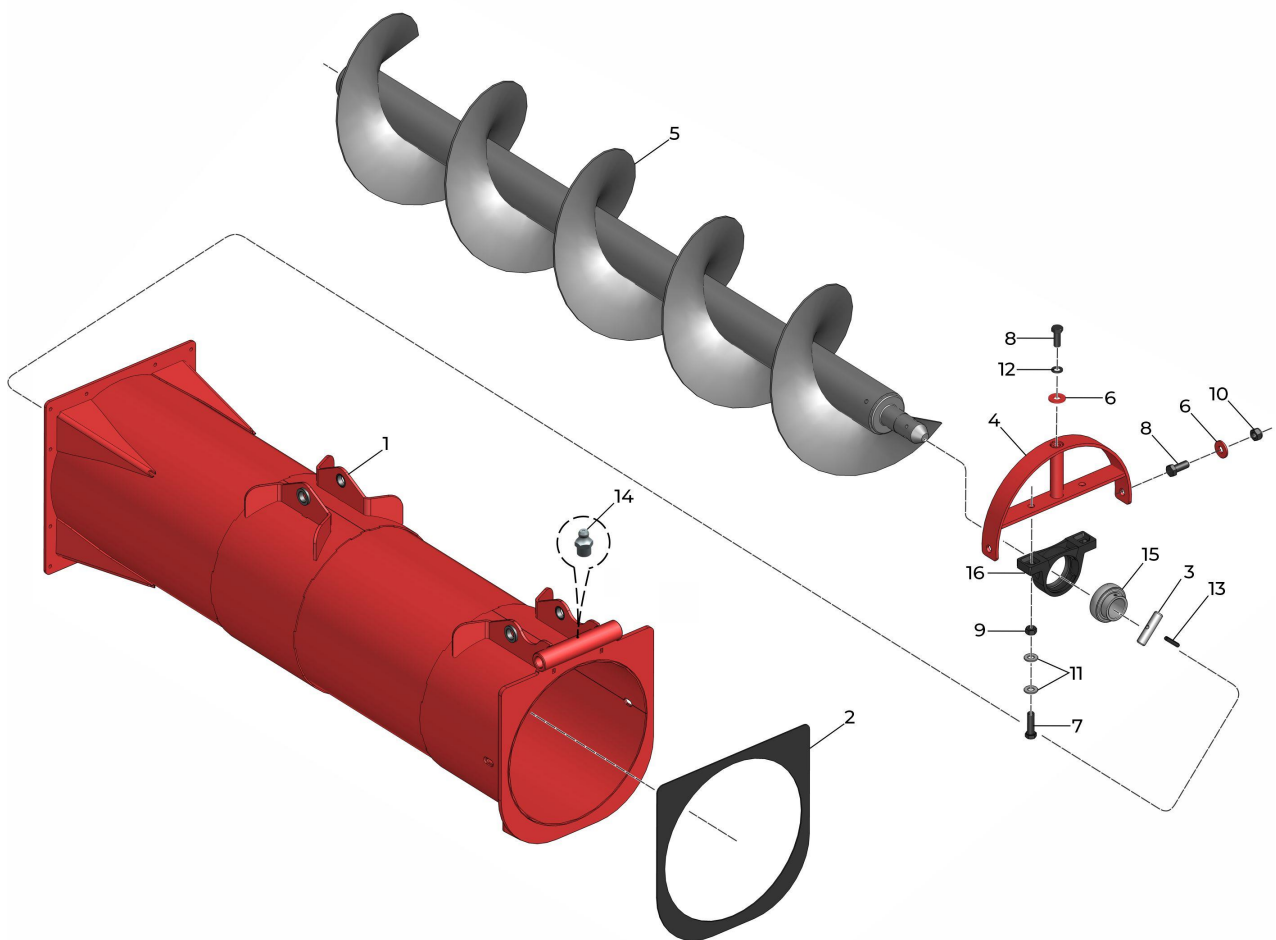


16 { 1, 2, 3 }
17 { 4, 5, 6, 7 }



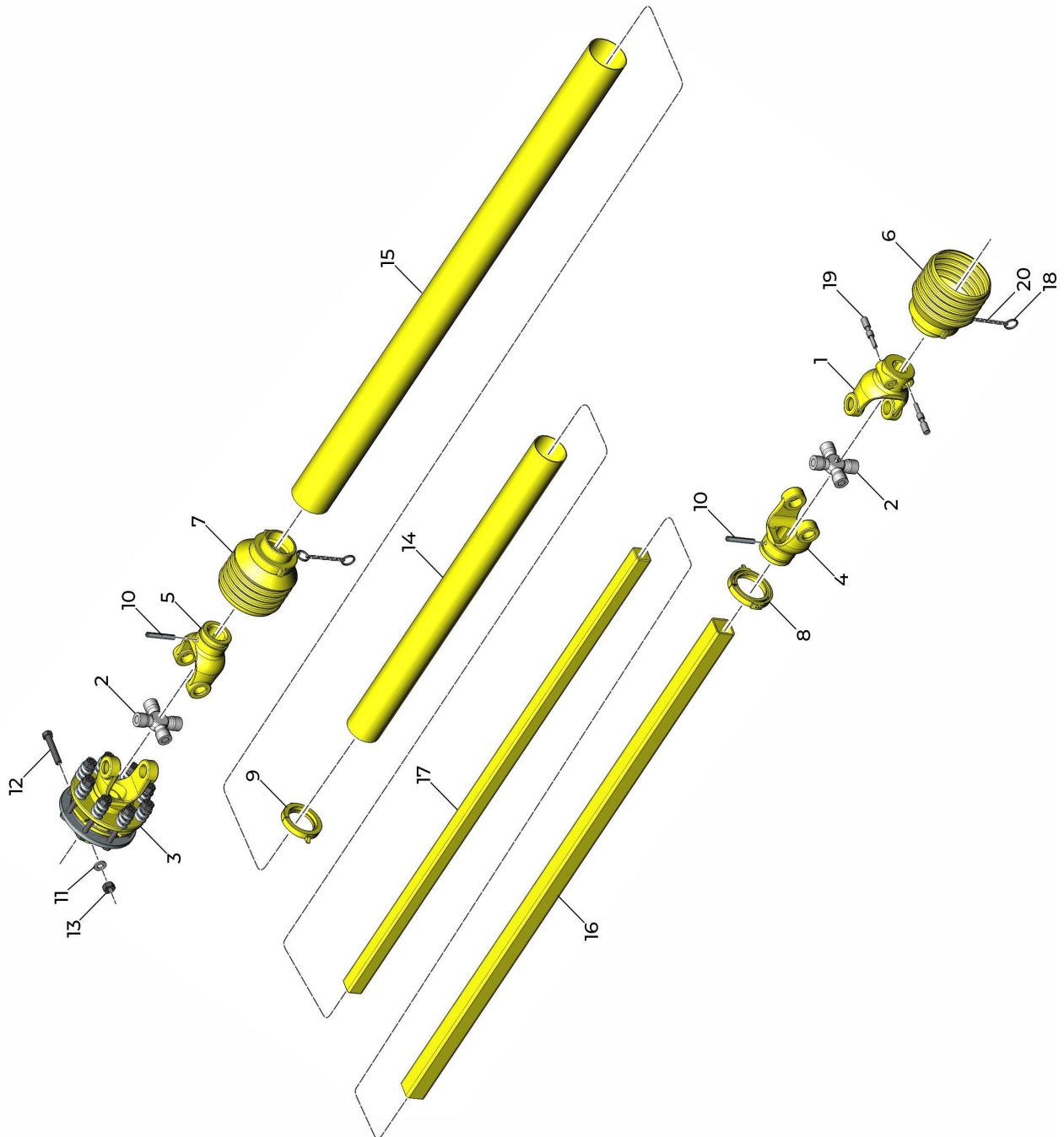
AB TUBE CYLINDER Ø500 (GRANOS 26000/33000)

Item	Code	Name	Amount
1	932055721	O'RING 20.22 x 3.53 2211(PARKER)	1
2	932056818	GASKET 63,5x76,2x9,52 - 25002500 - 375B	2
3	932058103	GUIDE RING 3" W2-3000-500 (PARKER)	1
4	932056632	O'RING Ø66.27x3.53 2231 (PARKER)	2
5	932056713	SCRAPER RING Ø 1 1/2" D1500(PARKER)	2
6	932056814	POLYPAK GASKET 1 1/2" 18701500375B	1
7	932058118	GUIDE RING 13/4" W2-1750-500	2
8	021567	SB HYDRAULIC CYLINDER PIPE 021566	1
9	021568	ROD 38 (38.1 X 635)	1
10	021574	SB REGULATION TIP	1
11	652000001	PLUNGER Ø3" x F28 x 60mm	1
12	652000002	TG. Ø1.1/2" x Ø3" x 67mm	1
13	652000003	PIPE NUT M88	1
14	920013001	LOW HEX NUT M30 x 2.0 DIN 936 ZFP	1
15	920116002	HEX LOW LOCK NUT 1" UNF ZC	1
16	011081	PLUNGER SEAL KIT Ø76.2 X Ø28 ("GASKET / GUIDE / GASKET")	1
17	011104	AB TG SEAL KIT Ø76.2 X Ø38.1("SCRAPER/GASKET/GUIDE"- "WITHOUT_BACKUP")	1
18	021566	AB PIPE CYLINDER Ø500	1



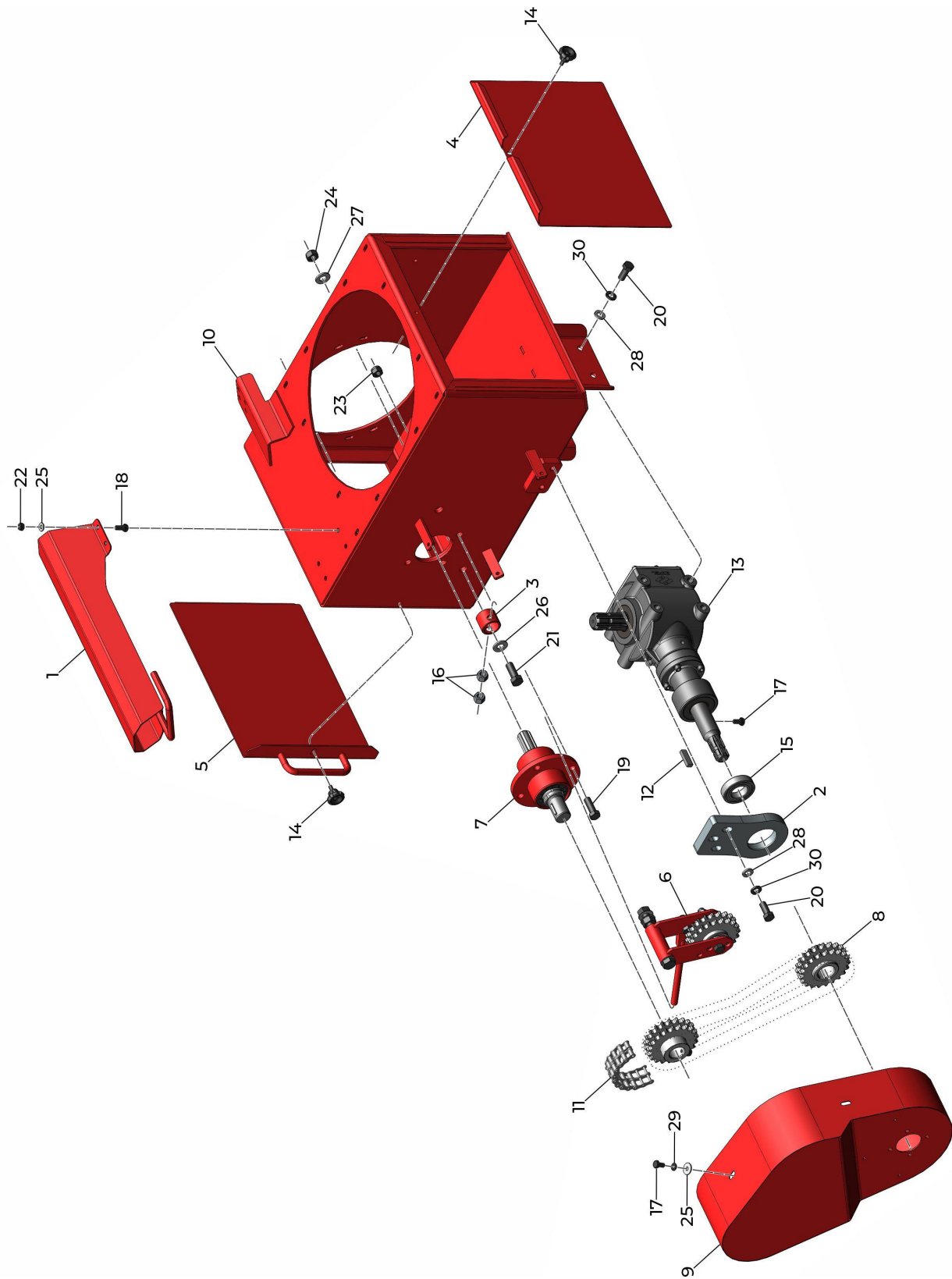
**AB LOWER TUBE Ø500 (GRANOS 26000/33000)**

Item	Code	Name	Amount
1	021456	SB UPPER AUGER Ø500mm	1
2	021521	PIPE UNION SEALING RUBBER Ø500	1
3	310210285	PIN Ø25,4 X 100mm	1
4	310221050	SB CENTRAL PIPE FLANGE	1
5	310241033	SB HELICOID Ø473 X 2488mm (1.3/4" Z:6)UN	1
6	701100062	FLAT WASHER Ø21 x Ø50 x 4.75	3
7	901328065	HEX HEAD BOLT M18x2.5x65 DIN 931 8.8 ZFP	2
8	901332050	HEX BOLT M20x2.5x50 DIN 931 8.8 ZFP	3
9	920111801	HEX LOCK NUT M18 x 2.5 DIN EN ISO 10511 ZFP	2
10	920112001	HEX LOCK NUT M20 x 2.5 DIN EN ISO 10511 ZFP	2
11	921040022	FLAT WASHER Ø19.5 x Ø38 x 3 ZCA	4
12	921050020	SPRING LOCK WASHER B20 DIN 127 ZFP	1
13	922013042	SPRING PIN 10 x 60 DIN 1481	1
14	924080000	STRAIGHT GREASE NIPPLE M8 x 1 DIN71412	1
15	990040093	ROLLER BEARING UC 212(FRM)	1
16	990400017	BEARING P212 (FRM)	1
17	021984	AB LOWER TUBE Ø500	1



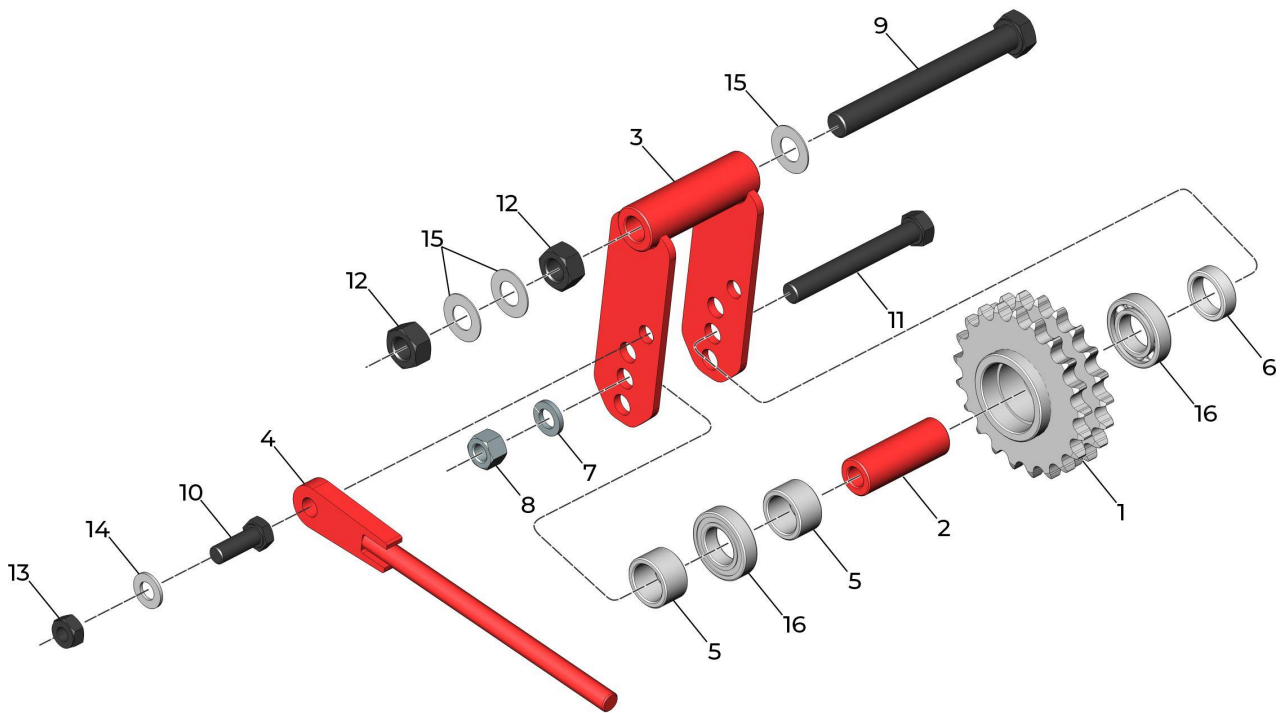


Item	Code	Name	Amount
1	066719	FAST HITCH TERMINAL (1.3/8) (TCN50)	1
2	066720	AB JOINT ROW 5000 (CCN55)	2
3	066726	AB CLUTCH 6 STRIPS W / AP.LAT.W / INT. LOCK HOLE 13MM (EN505-00)	1
4	066730	SQUARE HOLE TERMINAL 45,3mm W/ LOCK HOLE 10,0mm (TCN51)	1
5	066734	T.F.Q. 37,0mm W/ LOCK HOLE 10,0mm	1
6	066737	LARGER COIL (13.29)	1
7	066738	SMALLER COIL (13.30)	1
8	066741	PROTECTION RING (13.24)	1
9	066744	PROTECTION RING (52) (REF 13.25)	1
10	066746	SPRING PIN 10X75 (PEN10-75)	2
11	066761	WASHER 1/2" (EN205-15)	2
12	066769	BOLT 1/2" X 76mm (EN205-12)	2
13	066770	AUTO LOCK NUT 1/2" (EN205-01)	2
14	066820	SMALLER DIAMETER PIPE (13.31)	1
15	067095	LARGER DIAMETER PIPE (13.32)	1
16	067106	SQUARE PIPE 45,20mm (TBN58 FEMALE)	1
17	067110	SQUARE BAR 36,85mm (TBN59 MALE)	1
18	773029015	CHAIN LINK (ARN 100)	4
19	773029016	FAST HITCH PIN (TCN31-G)	2
20	773032000	CHAIN WITH 750mm (0750)	2
21	008879	AB SHAFT 1.3 / 8 "6 STARS X 1.3 / 8" 6 STARS WITH CLUTCH (2000mm)	1



**AB AUGER ASSEMBLY BOX Ø500mm(33000) (GRANOS 26000/33000)**

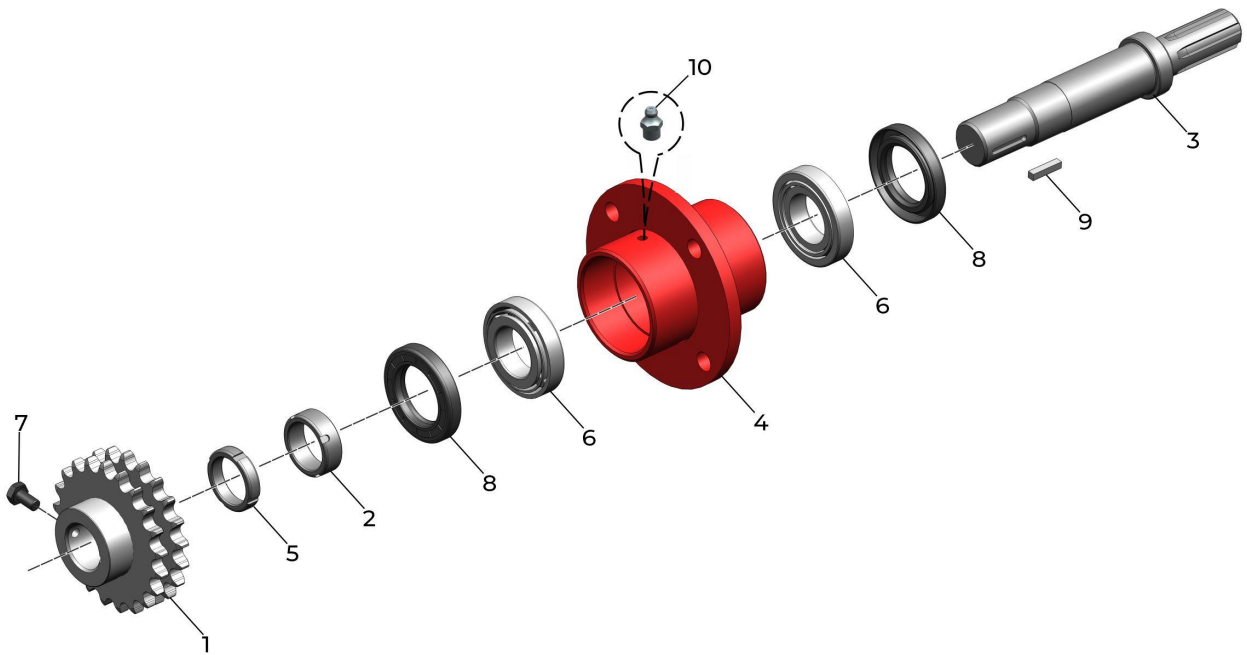
Item	Code	Name	Amount
1	021988	SB SHAFT /HOSE SUPPORT	1
2	030568	ROLLER BEARING FIXATION (MACHINED)	1
3	310110145	TENSIONER BUSHING	1
4	310110250	FRONT COVER	1
5	310120040	SB SIDE COVER	1
6	310130011	AB TENSIONER (GRANOS 26000/33000)	1
7	310130017	AB TRANSMISSION SHAFT (GRANOS 26000/33000)	1
8	310140033	SB BOX GEAR	1
9	310220108	SB BELT PROTECTION	1
10	310221020	SB AUGER ASSEMBLY BOX Ø500mm(33000)	1
11	310230034	AB CHAIN ASA 60/CART 33000	1
12	310240038	PARALLEL KEY14X9X50mm	1
13	777016000	GEAR BOX CT14123-ZH	1
14	900100422	KNOB M8 X 20	2
15	900760052	ROLLER BEARING 6209.2RSR	1
16	901160050	HEX NUT 5/8" UNC G-5 ANSI B18.2.2 ZFP	2
17	901313020	HEX HEAD BOLT M10x1.5x20 DIN 933 8.8 ZFP	4
18	901313025	HEX HEAD BOLT M10x1.5x25 DIN 933 8.8 ZFP	4
19	901324050	HEX HEAD BOLT M16x2.0x50 DIN 931 8.8 ZFP	4
20	901325040	HEX HEAD BOLT M16x2.0x40 DIN 933 8.8 ZFP	11
21	901328050	HEX HEAD BOLT M18x2.5x50 DIN 931 8.8 ZFP	1
22	920111001	HEX LOCK NUT M10 x 1.5 DIN EN ISO 10511 ZFP	4
23	920111601	HEX LOCK NUT M16 x 2.0 DIN 985 ZFP	4
24	920111801	HEX LOCK NUT M18 x 2.5 DIN EN ISO 10511 ZFP	1
25	921010010	FLAT WASHER Ø10.5 x Ø30 x 2 DIN 9021 ZCA	3
26	921030010	FLAT WASHER Ø10.5 x Ø21 x 2 DIN125A ZCA	4
27	921040022	FLAT WASHER Ø19.5 x Ø38 x 3 ZCA	2
28	921040107	FLAT WASHER Ø16.5 x Ø28 x 3	11
29	921050010	SPRING LOCK WASHER B10 DIN 127 ZFP	3
30	921050016	SPRING LOCK WASHER B16 DIN 127 ZFP	11
31	310231021	AB AUGER ASSEMBLY BOX Ø500mm(33000)	1





AB TENSIONER (GRANOS 26000/33000)

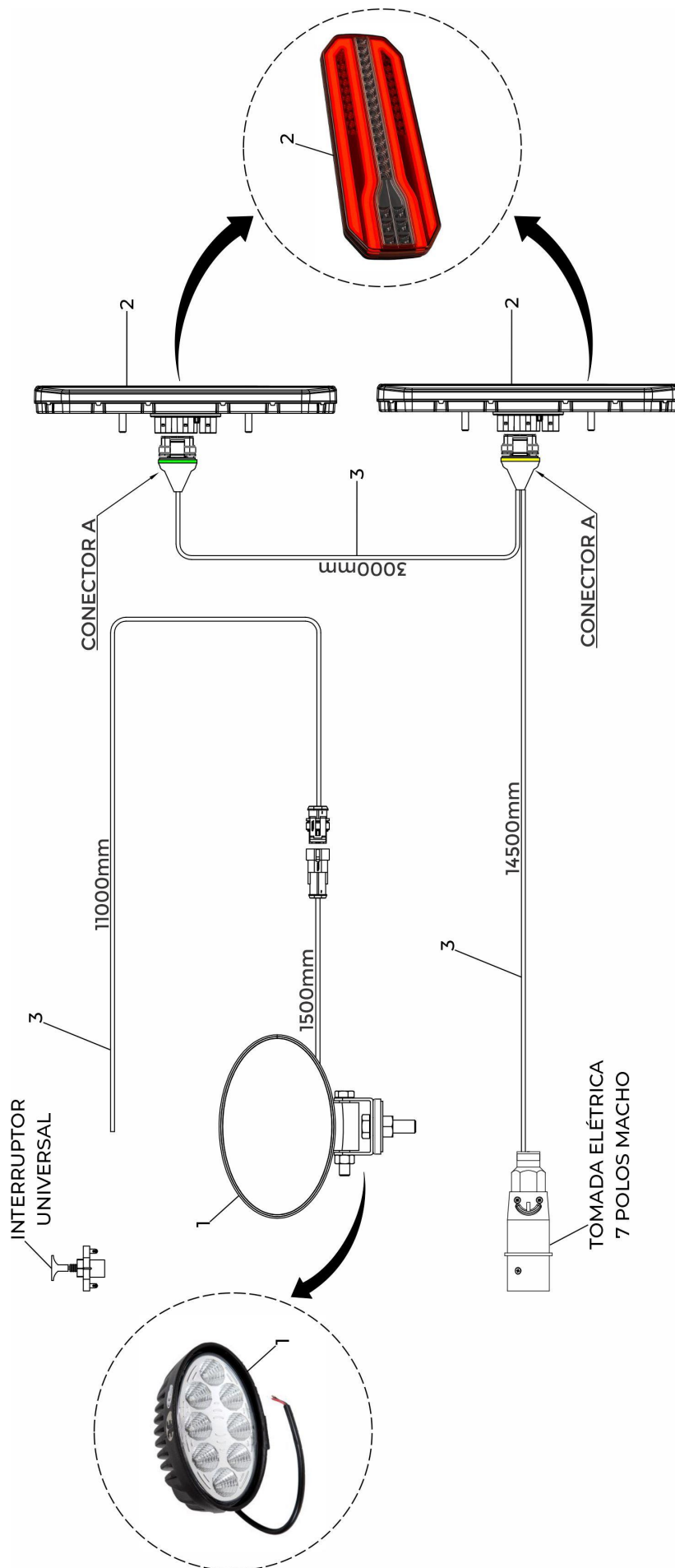
Item	Code	Name	Amount
1	060156	TENSIONER SPROCKET ASA60 - 21Z	1
2	310110218	SUPPORT BUSHING	1
3	310120034	SB TENSIONER BODY	1
4	310220064	SB TENSIONER ROD	1
5	777015001	SEPARATOR BUSHING	2
6	777015002	SEPARATOR BUSHING	1
7	900960008	SPRING LOCK WASHER 5/8" DIN 127	1
8	901160050	HEX NUT 5/8" UNC G-5 ANSI B18.2.2 ZFP	1
9	901332180	HEX HEAD BOLT M20x2.5x180 DIN 931 8.8 ZFP	1
10	901360007	HEX HEAD BOLT M14x2.0x40 DIN 933 8.8 ZFP	1
11	901360229	HEX HEAD BOLT 5/8" x 5" UNFG-5 ASME B18.2.1	1
12	920002001	HEX NUT M20x2.5 DIN 934 ZFP	2
13	920111401	HEX LOCK NUT M14 x 2.0 DIN EN ISO 10511 ZFP	1
14	921030014	FLAT WASHER Ø15 x Ø28 x 2.5 DIN125A ZCA	1
15	921040034	FLAT WASHER Ø20 x Ø38 x 1 ZCA	3
16	927010308	RIGID BALL BEARING 6006 1RS	2
17	310130011	AB TENSIONER	1





AB TRANSMISSION SHAFT (GRANOS 26000/33000)

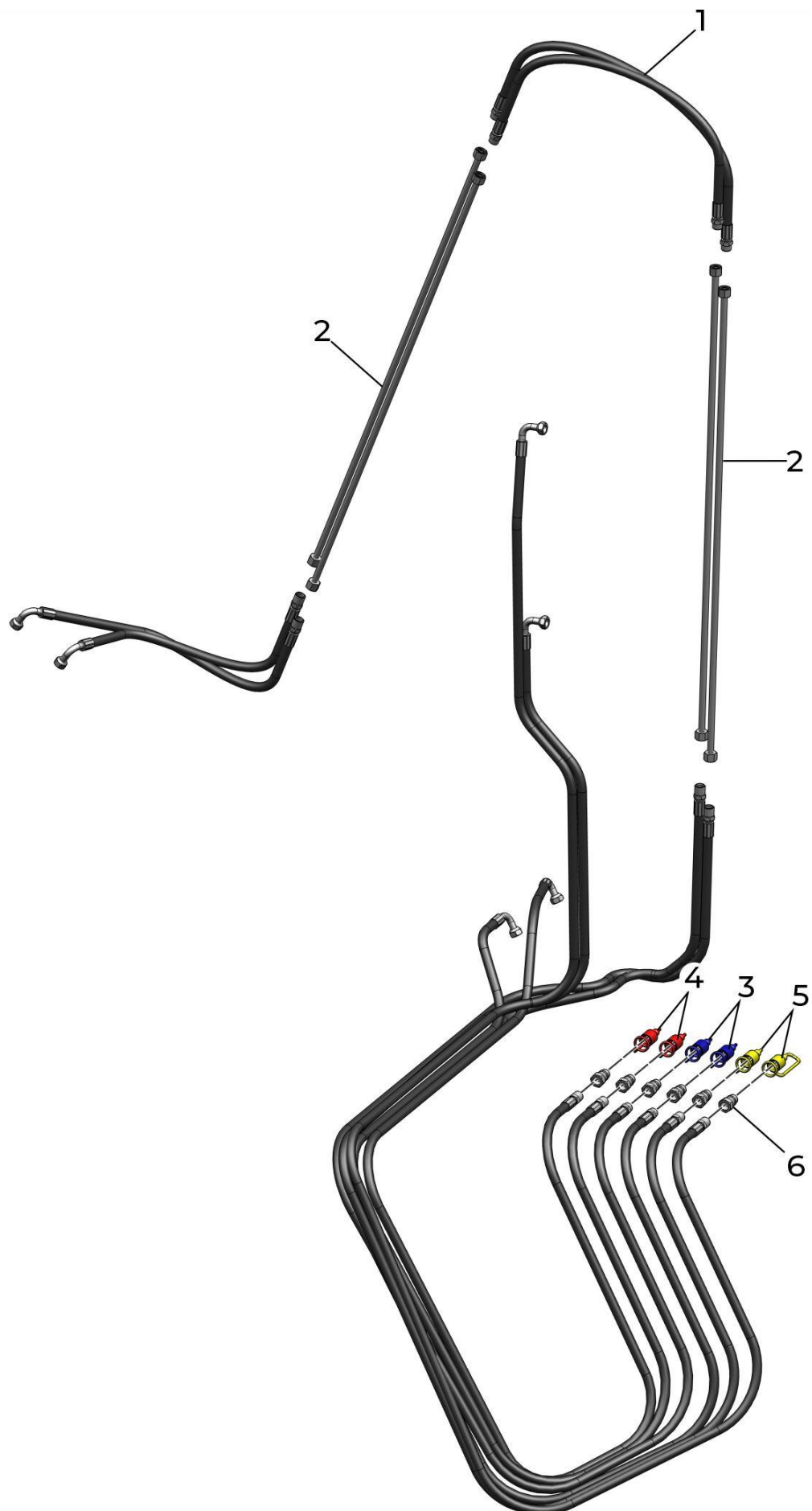
Item	Code	Name	Amount
1	310140025	HELICOID GEAR	1
2	310210198	NUT 1.3/4" - 12F FOR ROD	1
3	310210290	DRIVE SHAFT	1
4	310220063	SB CONICAL BEARING SUPPORT	1
5	777015003	LOCK NUT	1
6	900760051	ROLLER BEARING 30209	2
7	901313020	HEX HEAD BOLT M10x1.5x20 DIN 933 8.8 ZFP	1
8	901960006	RETAINER Ø85 X Ø55 X 12mm (01180BR)	2
9	902160008	SQUARE PARALLEL KEY 6,35mm X 6,35mm X 32mm	1
10	924080000	STRAIGHT GREASE NIPPLE M8 x 1 DIN71412	1
11	310130017	AB TRANSMISSION SHAFT	1





LIGHTING ELECTRIC KIT GRANOS 26000 AND 33000

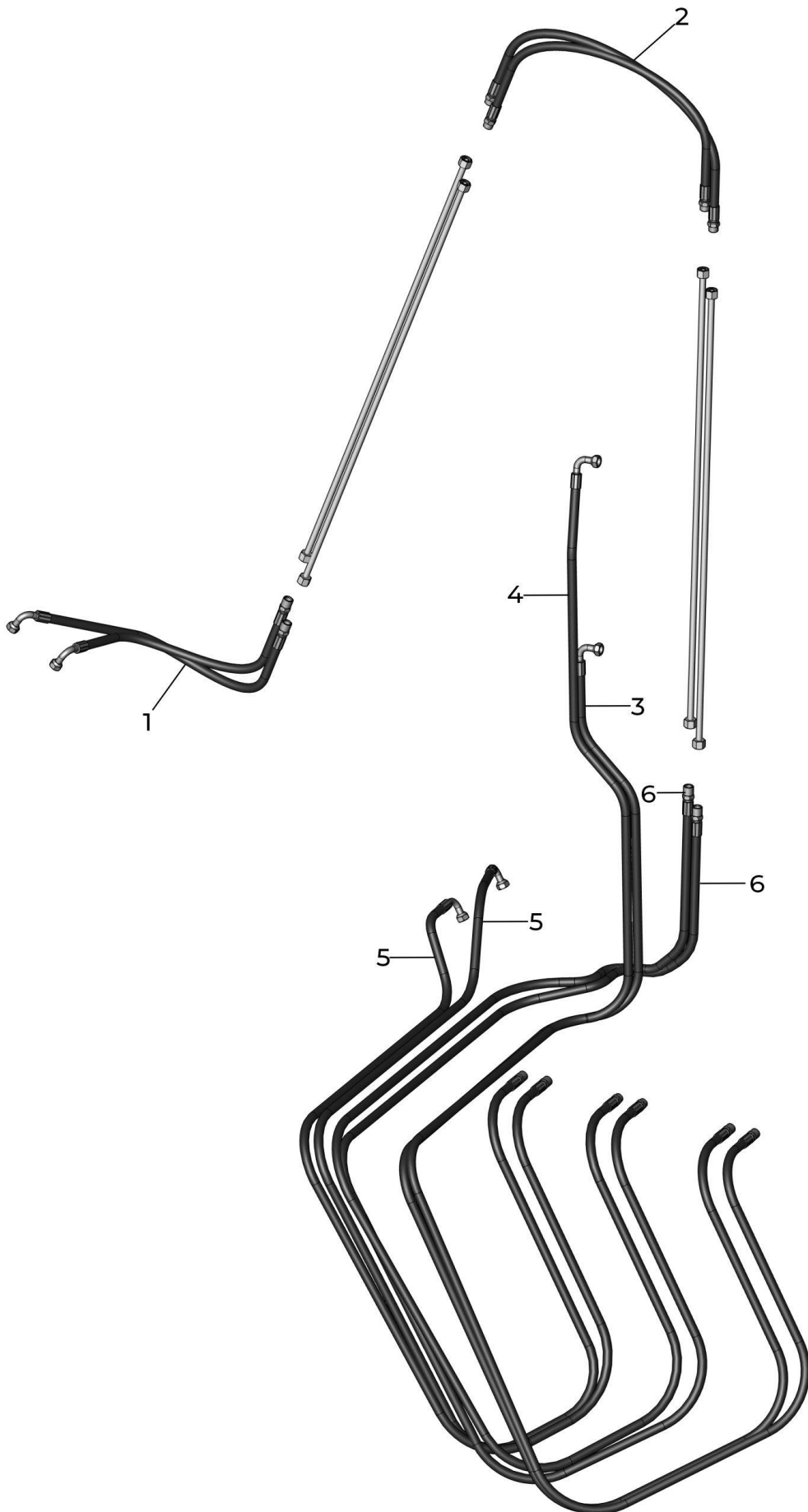
Item	Code	Name	Amount
1	022338	LIGHT WORK OVAL LED BIVOLT 1800 LM 16W FLOOD	1
2	022339	SYMLED REAR MODULE 12 / 24V	2
3	022474	GRANOS ELECTRIC WHIP 26000 AND 33000	1
4	022525	LIGHTING ELECTRIC KIT GRANOS 26000 AND 33000	1





AB HOSES Ø500 PIPE(GRANOS 26000/33000)

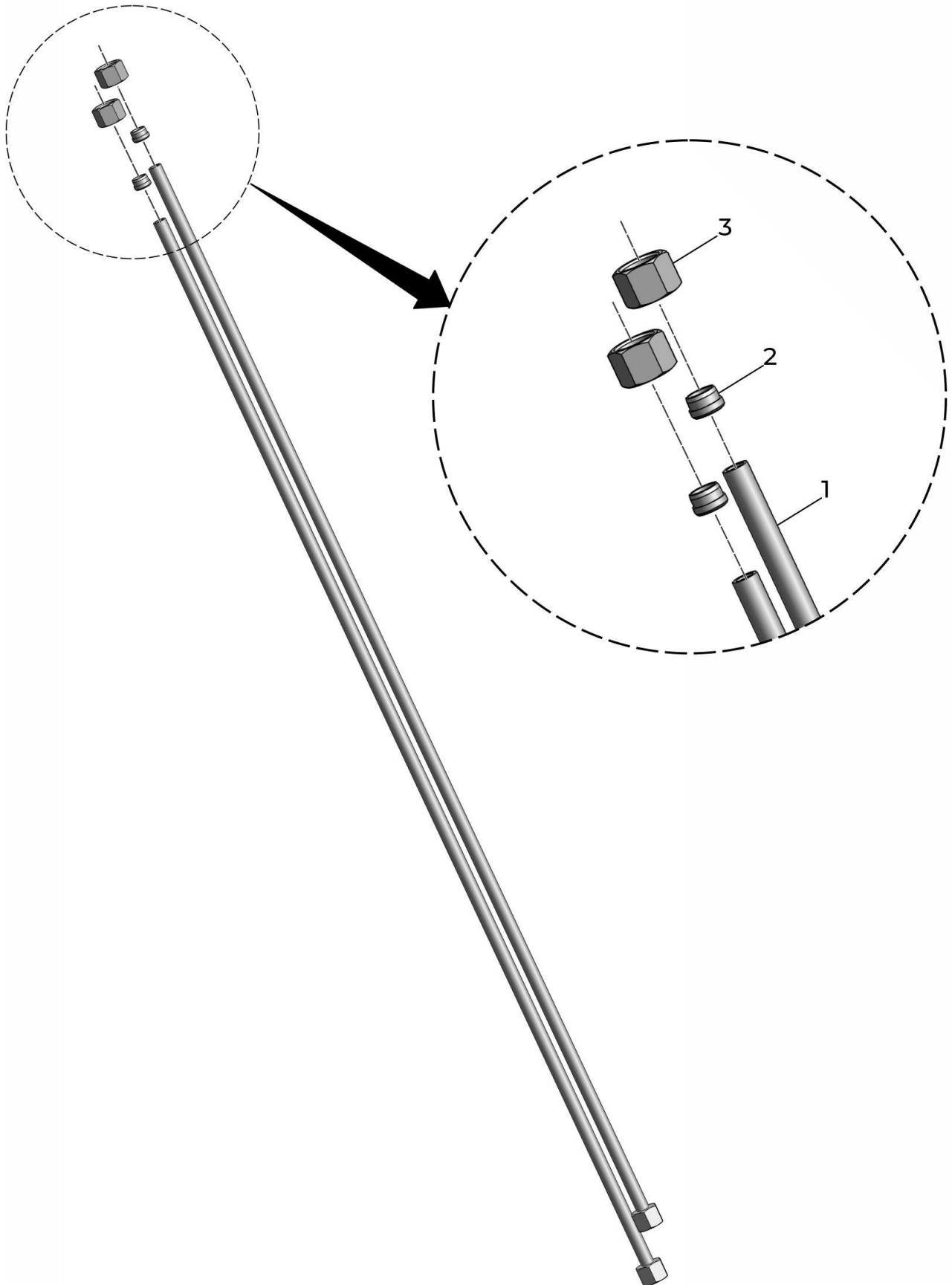
Item	Code	Name	Amount
1	022515	AB HOSES GRANOS 26000 E 33000	1
2	022525	AB TUBE PIPING Ø500	2
3	900160365	BLUE QUICK HITCH STOPPER PROTECTOR	2
4	932028301	FEMALE STOPPER (RED)	2
5	932028308	FEMALE STOPPER (YELLOW)	2
6	932034101	MALE QUICK HITCH 1/2"	6
7	022535	AB HOSES Ø500 PIPE	1





AB HOSES GRANOS 26000 E 33000

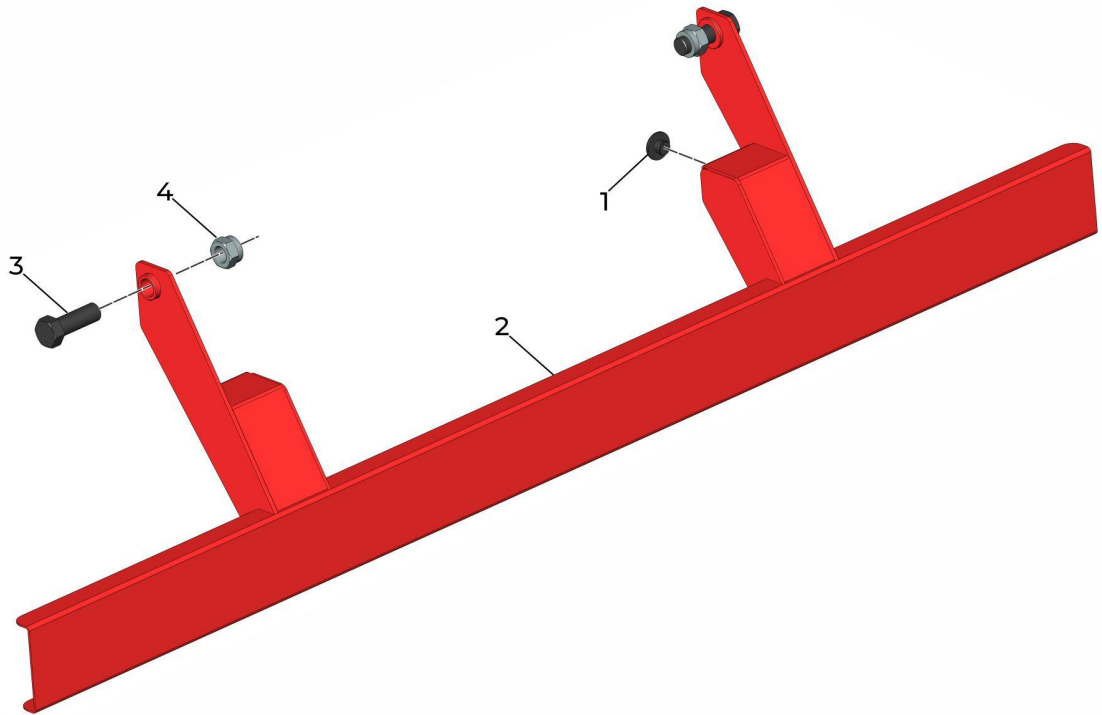
Item	Code	Name	Amount
1	022292	AB HOSE 3/8" x 750	2
2	022295	AB HOSE 3/8" x 850	2
3	022297	AB HOSE 3/8" x 5000	1
4	022298	AB HOSE 3/8" x 5500	1
5	022299	AB HOSE 3/8" x 4000	2
6	022300	AB HOSE 3/8" x 4000	2
7	022515	AB HOSES GRANOS 26000 E 33000	1





AB TUBE PIPING Ø500

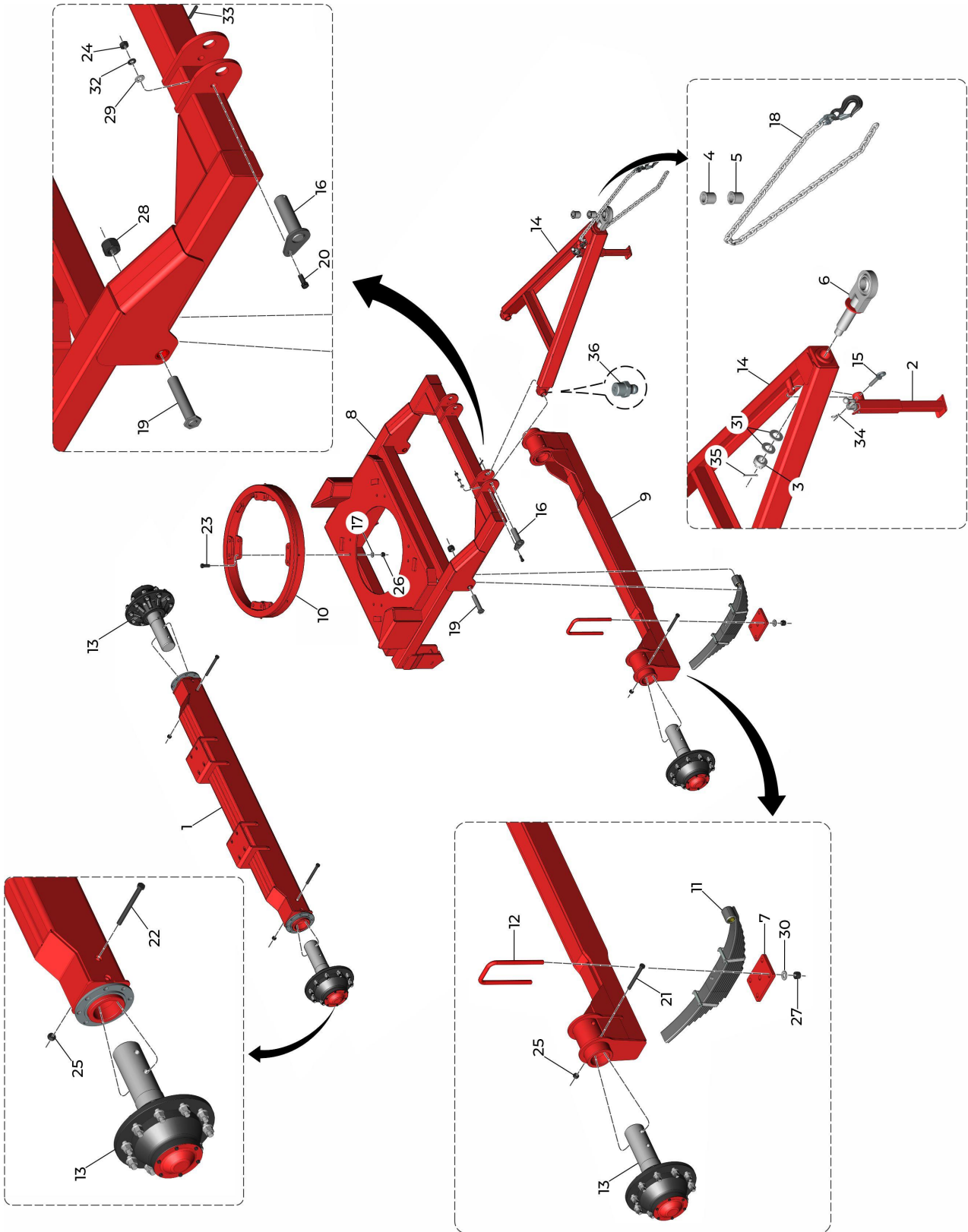
Item	Code	Name	Amount
1	310210378	PIPE Ø12 X 1100mm	2
2	900160124	PIPE WASHER 12mm	4
3	900160125	NUT M20X1.5 FOR 12mm PIPE	4
4	022525	LIGHTING ELECTRIC KIT GRANOS 26000 AND 33000	1





AB REAR BUMPER GRANOS 33000

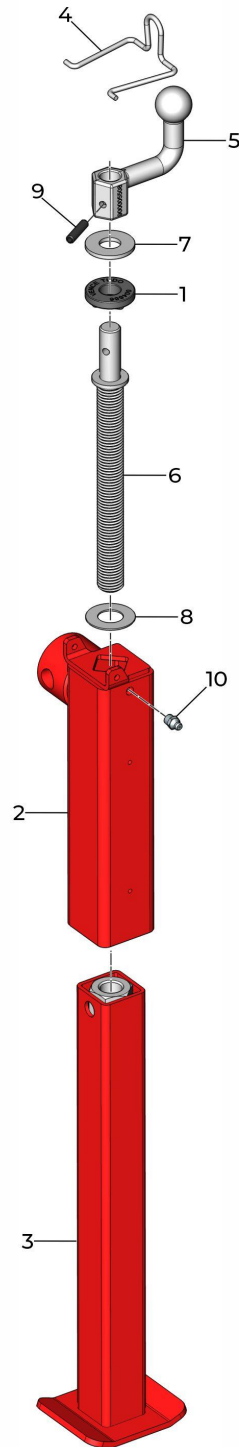
Item	Code	Name	Amount
1	203040008	SLIDER	2
2	310120010	SB BUMPER	1
3	901360259	HEX HEAD BOLT 1" x 3" UNFG-5 ASME B18.2.1	2
4	920116002	HEX LOW LOCK NUT 1" UNF ZC	2
5	310231035	AB BOX REINFORCEMENT	1





AB LIFT ASSEMBLY GRANOS 33000 AND 26000

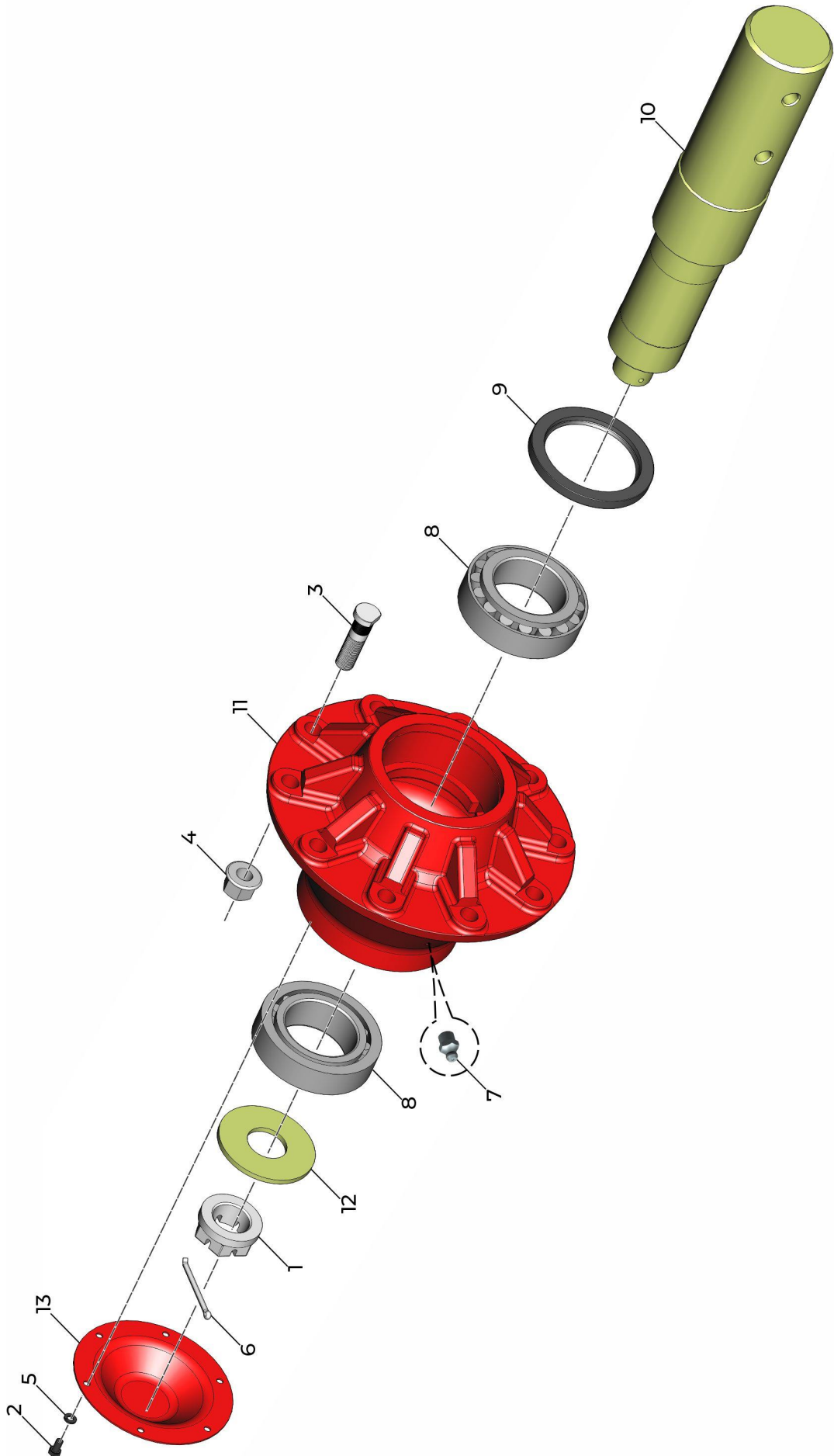
Item	Code	Name	Amount
1	017178	SB GRANOS REAR SHAFT	1
2	021802	AB SUPPORT LEG	1
3	100007003	NUT M36	1
4	200749004	BUSHING Ø35.7	1
5	200749005	BUSHING Ø40	1
6	210247000	SB EYEBOLT FIXED TIP	1
7	310110238	SPRING SUPPORT PLATE	2
8	310121009	SB SPIN GRANOS 33000	1
9	310121014	SB FRONT SHAFT GRANOS 33000 E 26000	1
10	310140038	SPINNING SET	1
11	310140064	SPRING BEAM	2
12	310140065	CLAMP M24 X 142 X B X 310	4
13	310140066	AB CART WHEEL HUB 33000 (GRANOS 26000/33000)	4
14	310221080	SB HEADER GRANOS 33000	1
15	320520078	SB SUPPORT PIN	1
16	350120007	PISTON HITCH PIN	2
17	401042005	FLAT WASHER Ø20.5 x Ø40 x 3 ZB	8
18	751005000	AB CHAIN 2000mm (GRANOS 26000/33000)	1
19	777018000	SB SPRING BEAM FIXATION PIN	2
20	901322045	HEX HEAD BOLT M14x1.5x45 DIN 960 8.8 ZFP	2
21	901328180	HEX HEAD BOLT M18x2.5x180 DIN 931 8.8 ZFP	4
22	901328210	HEX HEAD BOLT M18x2.5x210 DIN 931 8.8 ZFP	4
23	901332060	HEX HEAD BOLT M20x2.5x60 DIN 931 8.8 ZFP	8
24	920001402	HEX NUT M14 x 1.5 DIN 934 ZFP	2
25	920111801	HEX LOCK NUT M18 x 2.5 DIN EN ISO 10511 ZFP	8
26	920112001	HEX LOCK NUT M20 x 2.5 DIN EN ISO 10511 ZFP	8
27	920112402	HEX LOCK NUT M24 x 2.0 DIN EN ISO 10511 ZFP	8
28	920113002	HEX LOCK NUT M30 x 2.0 DIN EN ISO 10511 ZFP	2
29	921030014	FLAT WASHER Ø15 x Ø28 x 2.5 DIN125A ZCA	2
30	921040035	FLAT WASHER Ø50.24.5 x Ø50 x 4.75 ZCA	8
31	921040059	FLAT WASHER Ø37 x Ø65 x 4.75 ZCA	2
32	921050014	SPRING LOCK WASHER B14 DIN 127 ZFP	2
33	922012838	SPRING PIN 8 x 50 DIN 1481	2
34	922051236	LOCK PIN R 3.0 x 45 ZCA	1
35	922172442	COTTER PIN 6 x 63 DIN94 ZCA	1
36	924080000	STRAIGHT GREASE NIPPLE M8 x 1 DIN71412	3
37	310231002	AB LIFT ASSEMBLY GRANOS 33000 AND 26000	1





AB SUPPORT LEG

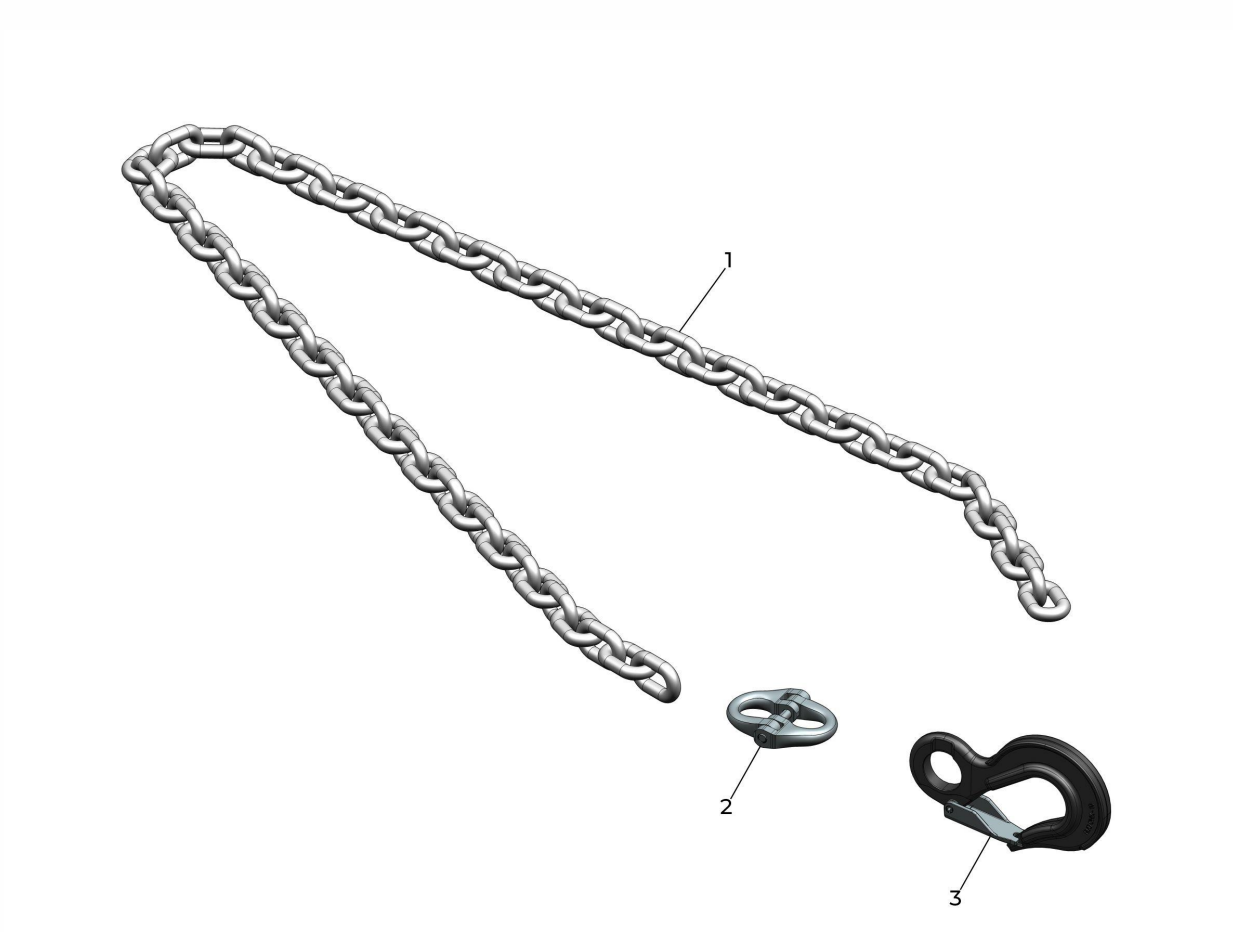
Item	Code	Name	Amount
1	004666	LOCK BUSHING	1
2	021803	SB SUPPORT LEG PIPE	1
3	021837	SB SUPPORT LEG BASE	1
4	200734001	LOCK SPRING	1
5	200734002	ACORN KNOB	1
6	200735000	SB ROD	1
7	921040020	FLAT WASHER Ø17 x Ø38 x 3 ZCA	1
8	921040034	FLAT WASHER Ø20 x Ø38 x 1 ZCA	1
9	922012427	SPRING PIN 6 x 28 DIN 1481	1
10	924080000	STRAIGHT GREASE NIPPLE M8 x 1 DIN71412	1
11	021802	AB SUPPORT LEG	1





AB CART WHEEL HUB 33000 (GRANOS 26000/33000)

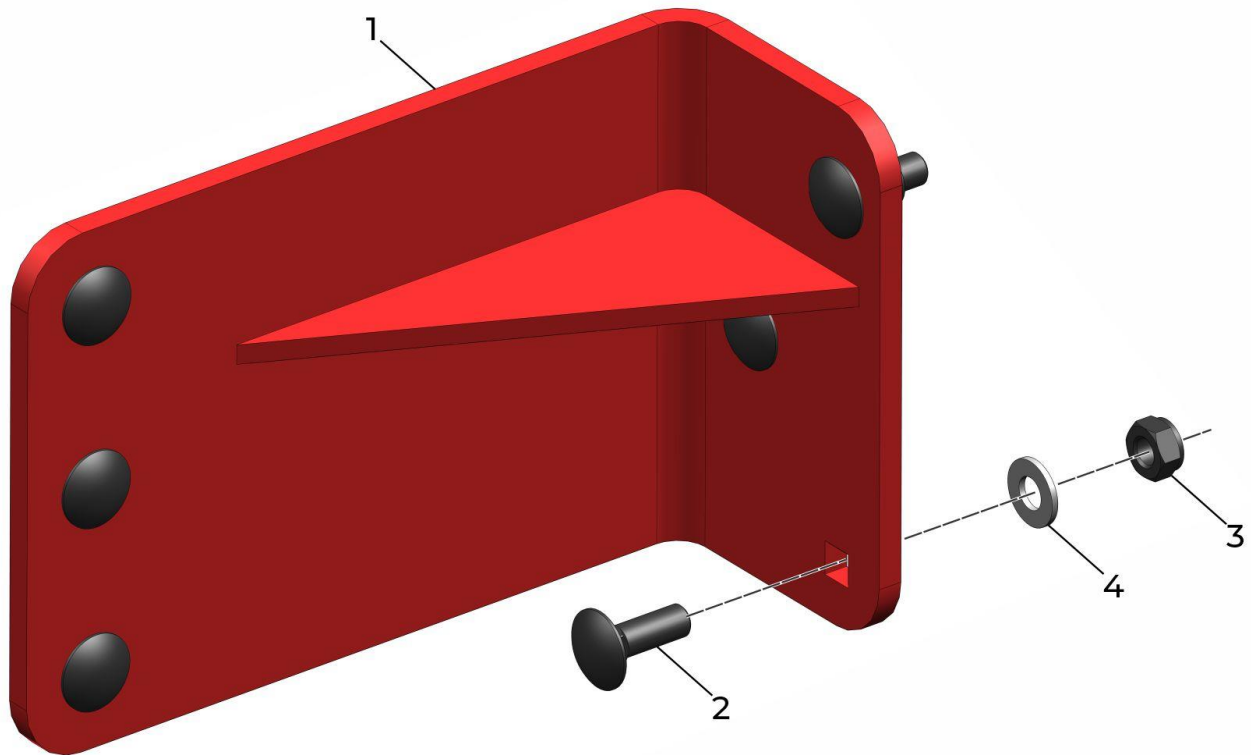
Item	Code	Name	Amount
1	100007004	NUT M48	1
2	901309016	HEX HEAD BOLT M8x1.25x16 DIN 933 8.8 ZFP	6
3	918538082	STUD BOLT M22X1.5X82 8	10
4	920512221	HEX FLANGE NUT M22 x 1.5 10.9 (SWIVEL) IN	10
5	921050008	SPRING LOCK WASHER B8 DIN 127 ZFP	6
6	922172448	COTTER PIN 6 x 75 DIN94 ZCA	1
7	924080000	STRAIGHT GREASE NIPPLE M8 x 1 DIN71412	1
8	927050014	CONIC ROLLER BEARING ROLLER REF 33118 90x150x45	2
9	928010402	RETAINER 01412 B 114,3x152,4x12,7 SABO	1
10	GAS1001001	HUB SHAFT GRANOS (Ø114.3 X 590.5)	1
11	GAS1001002	MACHINED HUB GRANOS	1
12	GAS1001003	FLAT WASHER 50X120X6.3 ZVO	1
13	GAS1001004	HUB COVER GRANOS	1
14	310140066	AB CART WHEEL HUB 33000	1





AB CHAIN 2000mm (GRANOS 26000/33000)

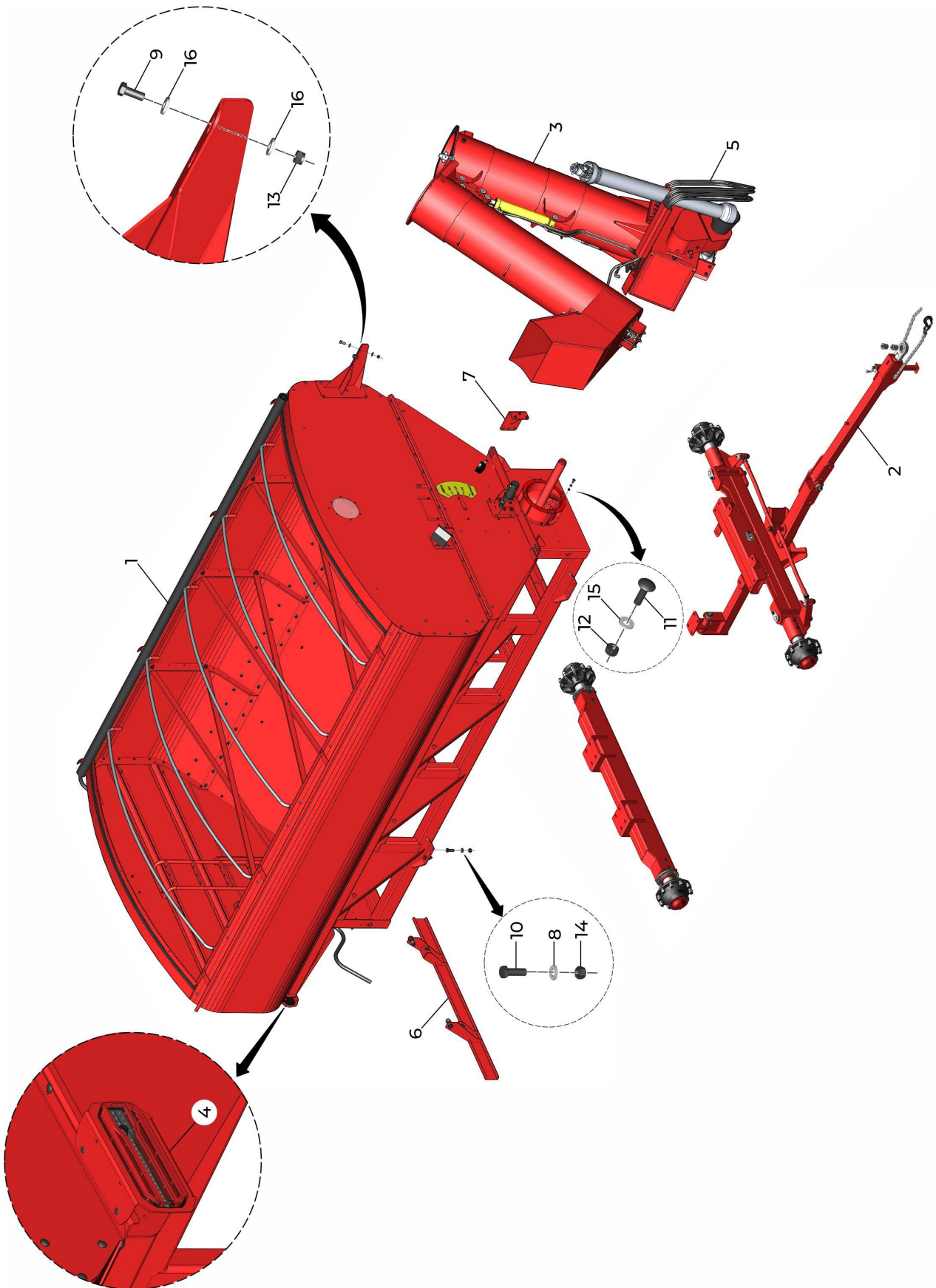
Item	Code	Name	Amount
1	751005001	STRAIGHT SHORT LINK 10 X 30	60
2	751005002	CONNECTING LINK	1
3	751005003	AB EYEBOLT HOOK AHK - 10	1
4	751005000	AB CHAIN 200mm	1





AB BOX REINFORCEMENT (GRANOS 26000/33000)

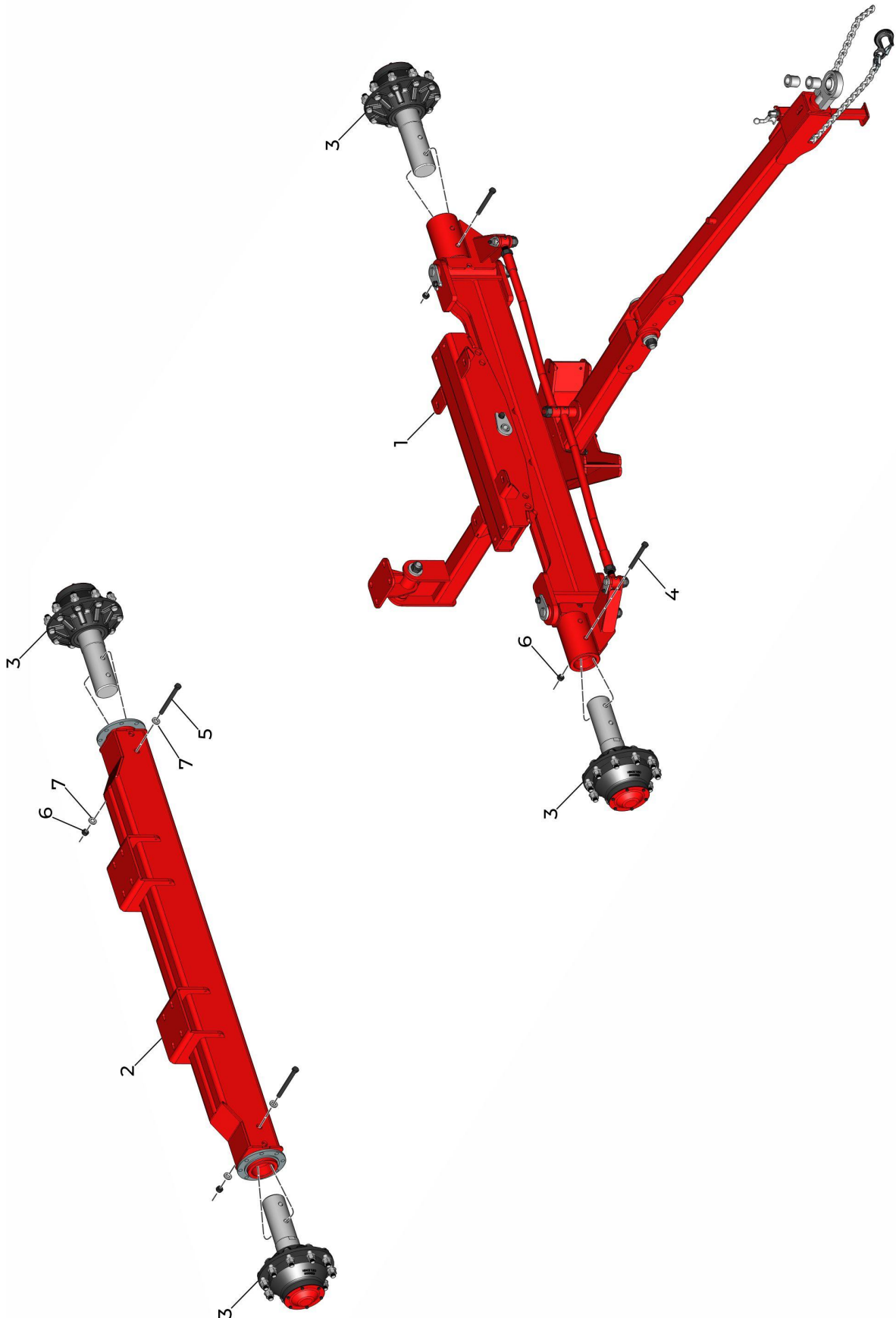
Item	Code	Name	Amount
1	310221103	SB BOX REINFORCEMENT	1
2	902312030	FRENCH BOLT M10x1.5x30 DIN 603 8.8 ZFP	6
3	920111001	HEX LOCK NUT M10 x 1.5 DIN EN ISO 10511 ZFP	6
4	921030010	FLAT WASHER Ø10.5 x Ø21 x 2 DIN125A ZCA	6
5	310231035	AB BOX REINFORCEMENT	1





AB GRANOS 26000 WITH ROCKER

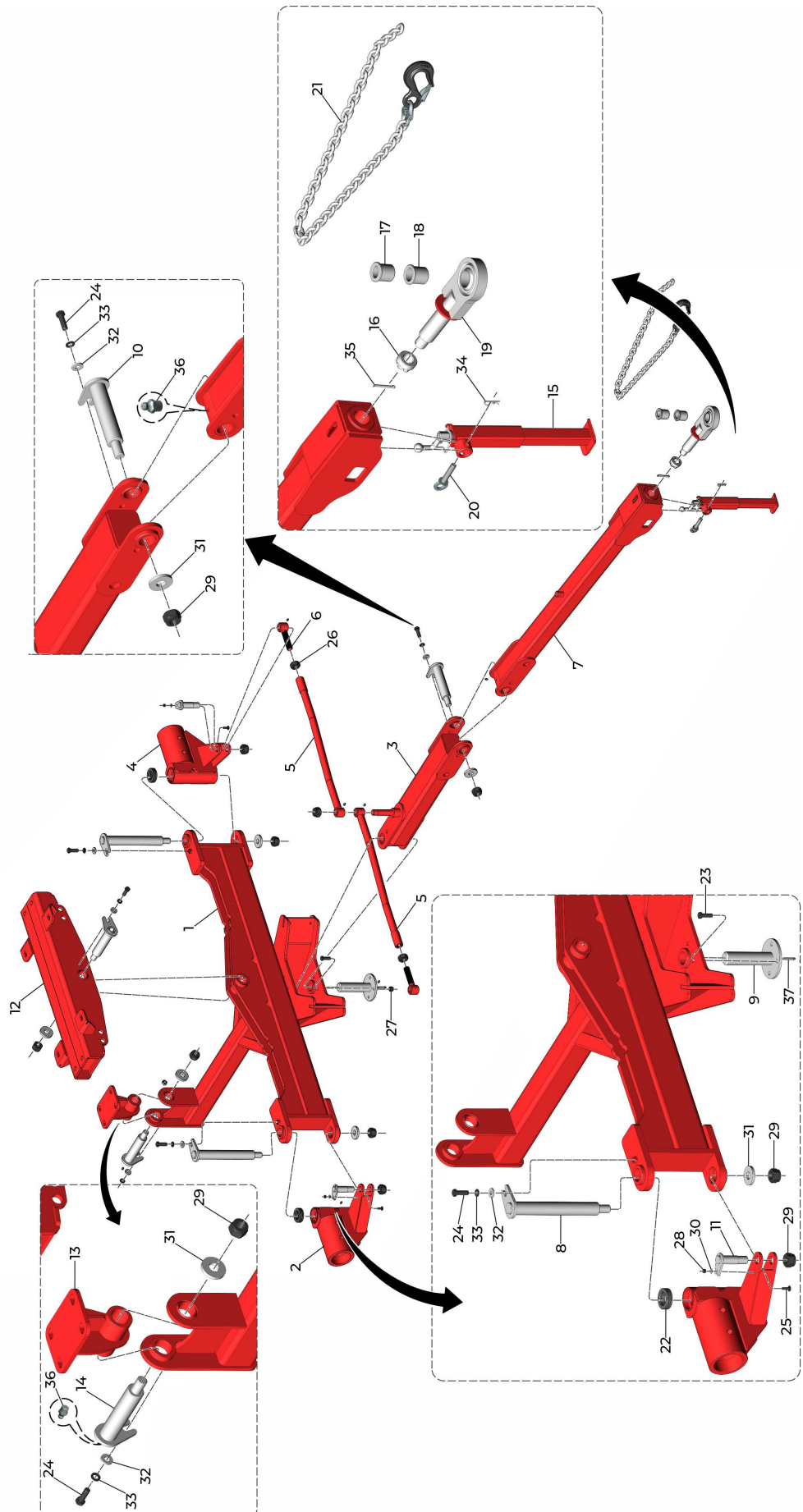
Item	Code	Name	Amount
1	008882	AB GRANOS 26000 HOPPER	1
2	009897	AB ROCKER LIFT ASSEMBLY GRANOS 33000 E 26000	1
3	021447	AB DISCHARGE PIPE Ø500 (GRANOS 26000/33000)	1
4	022410	LIGHTING ELECTRIC KIT GRANOS 26000 AND 33000	1
5	022535	AB HOSES Ø500 PIPE(GRANOS 26000/33000)	1
6	310230032	AB REAR BUMPER GRANOS 33000	1
7	310231035	AB BOX REINFORCEMENT (GRANOS 26000/33000)	1
8	401042005	FLAT WASHER Ø20.5 x Ø40 x 3 ZB	20
9	901325040	HEX HEAD BOLT M16x2.0x40 DIN 933 8.8 ZFP	2
10	901332060	HEX HEAD BOLT M20x2.5x60 DIN 931 8.8 ZFP	20
11	902312035	CARRIAGE BOLT M10x1.5x35 DIN 603 8.8 ZFP	8
12	920111001	HEX LOCK NUT M10 x 1.5 DIN EN ISO 10511 ZFP	8
13	920111601	HEX LOCK NUT M16 x 2.0 DIN 985 ZFP	2
14	920112001	HEX LOCK NUT M20 x 2.5 DIN EN ISO 10511 ZFP	20
15	921030010	FLAT WASHER Ø10.5 x Ø21 x 2 DIN125A ZCA	8
16	921040074	FLAT WASHER Ø16.5 x Ø35 x 4.75 ZCA	4
17	008937	AB GRANOS 26000 WITH ROCKER	1





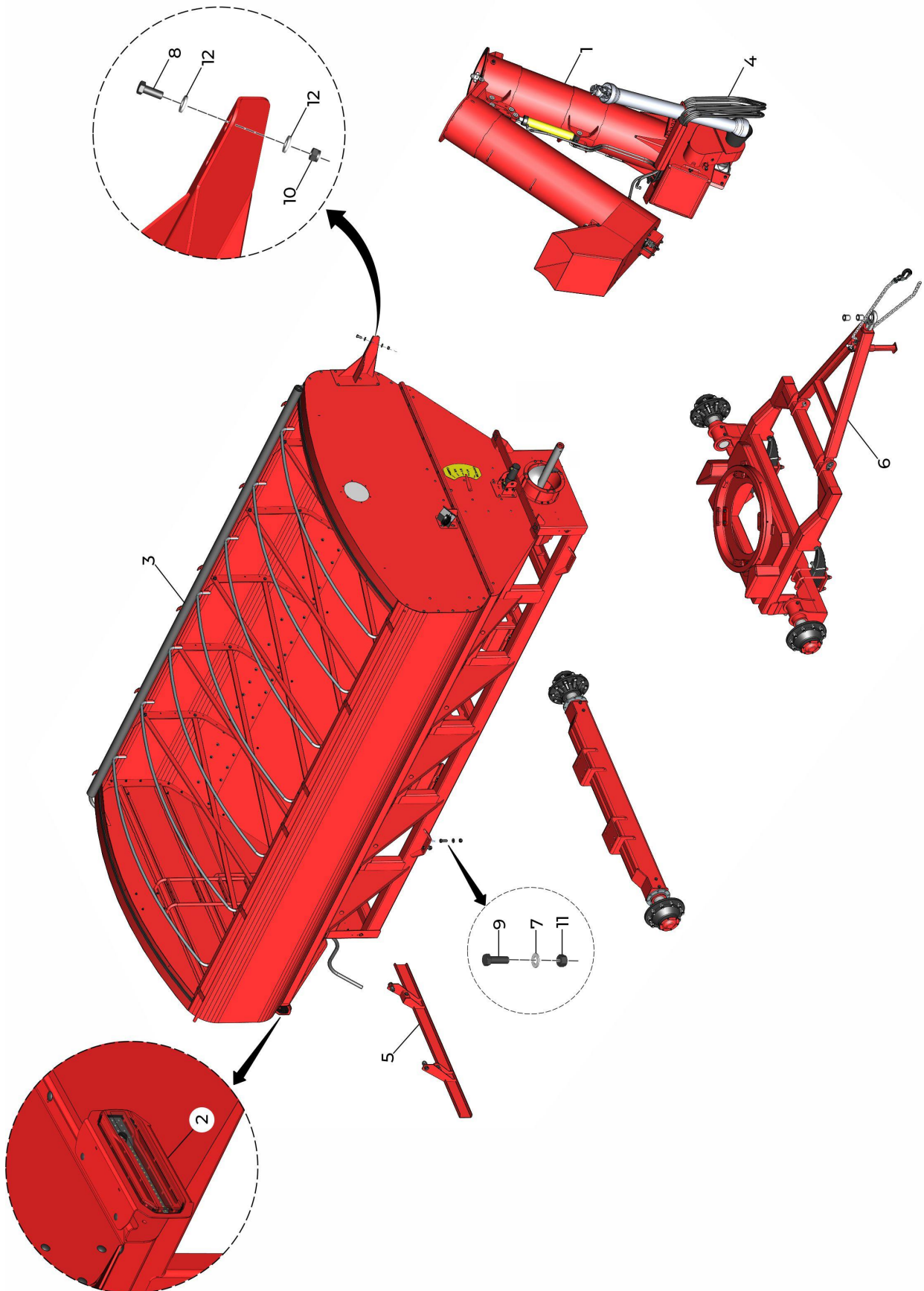
AB ROCKER LIFT ASSEMBLY GRANOS 33000 E 26000

Item	Code	Name	Amount
1	008961	AB ROCKER GRANOS 26000/33000	1
2	017178	SB GRANOS REAR SHAFT	1
3	310140066	AB CART WHEEL HUB 33000	4
4	901328180	HEX HEAD BOLT M18x2.5x180 DIN 931 8.8 ZFP	4
5	901328210	HEX HEAD BOLT M18x2.5x210 DIN 931 8.8 ZFP	4
6	920111801	HEX LOCK NUT M18 x 2.5 DIN EN ISO 10511 ZFP	8
7	921040022	FLAT WASHER Ø19.5 x Ø38 x 3 ZCA	8
8	009897	AB ROCKER LIFT ASSEMBLY GRANOS 33000 E 26000	1



**AB ROCKER GRANOS 26000/33000**

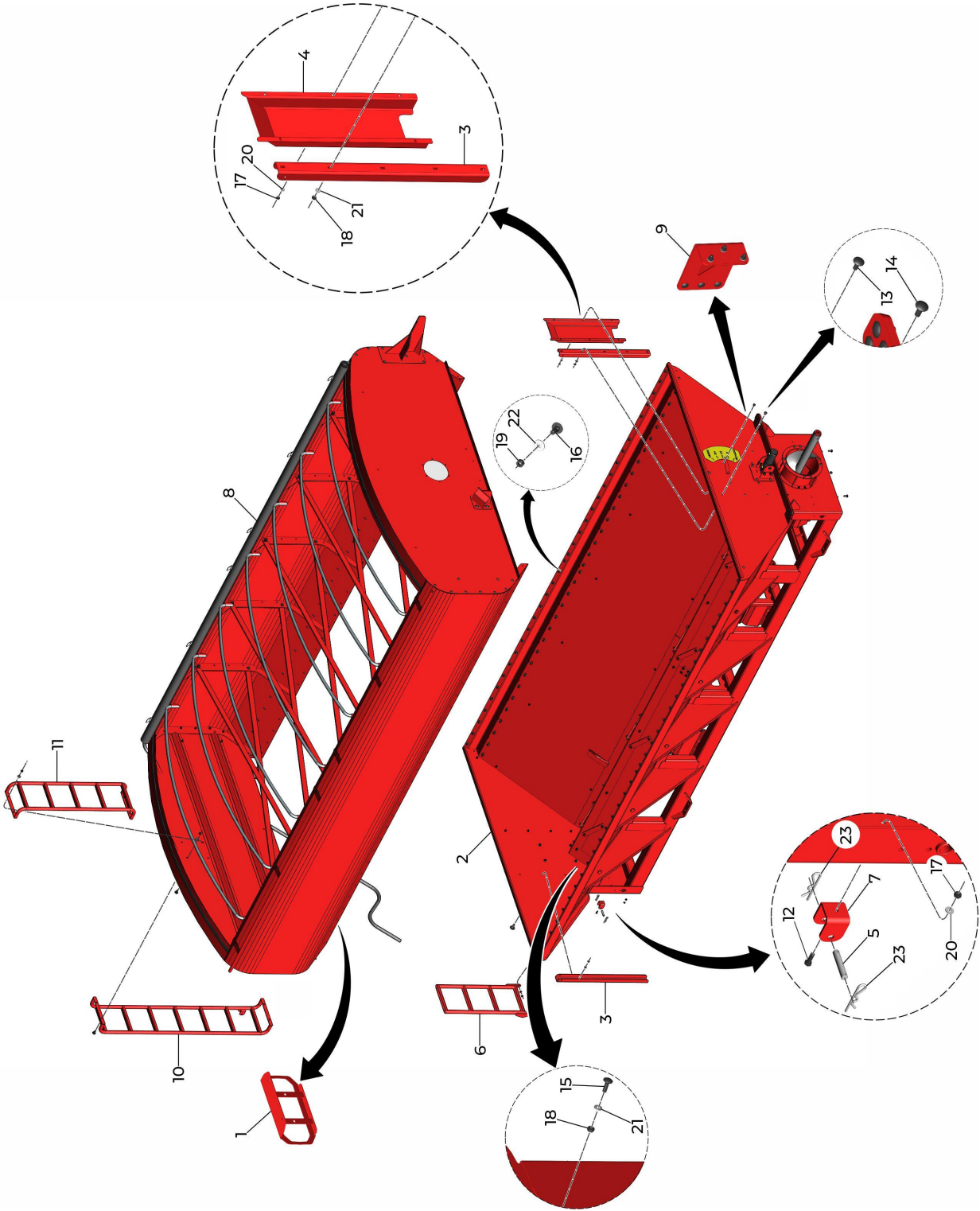
Item	Code	Name	Amount
1	008938	SB ROCKER LIFT ASSEMBLY SYSTEM SHAFT	1
2	008946	SB ROCKER RIGHT SHAFT TIP	1
3	008954	SB ROCKER HEADER COMPLEMENT	1
4	008975	SB ROCKER RIGHT SHAFT TIP	1
5	008980	SB STEERING BAR	2
6	008983	SB STEERING BAR TIP	2
7	009051	SB ROCKER HEADER	1
8	009243	PIN (Ø50 X 423)	2
9	009886	SB PIN (Ø50 X 210)	1
10	009888	SB PIN (Ø50 X 273)	1
11	009896	SB PIN (Ø31,75 X 122.3)	2
12	012854	SB ROCKER TABLE	1
13	016188	SB COUNTERPOINT	1
14	016198	PIN (Ø50 X 260.5)	2
15	021802	AB SUPPORT LEG	1
16	100007003	NUT M36	1
17	200749004	BUSHING Ø35.7	1
18	200749005	BUSHING Ø40	1
19	210247000	SB EYEBOLT FIXED TIP	1
20	320520078	SB SUPPORT PIN	1
21	751005000	AB CHAIN 2000mm (GRANOS 26000/33000)	1
22	900760015	ROLLER BEARING 51210	2
23	901322045	HEX HEAD BOLT M14x1.5x45 DIN 960 8.8 ZFP	4
24	901324050	HEX HEAD BOLT M16x2.0x50 DIN 931 8.8 ZFP	5
25	902308030	CARRIAGE BOLT M8x1.25x30 DIN 603 8.8 ZFP	2
26	920003002	HEX NUT M30 x 2.0 DIN 934 ZFP	2
27	920101401	HIGH HEX LOCK NUT M14x1.5 DIN EN ISO 10512 ZFP	4
28	920110809	HEX LOCK NUT M8 x 1.25 DIN 985 10.9 ZFP	2
29	920113002	HEX LOCK NUT M30 x 2.0 DIN EN ISO 10511 ZFP	8
30	921030008	FLAT WASHER Ø8.4 x Ø17 x 1.5 DIN125 ZCA	2
31	921040053	FLAT WASHER Ø30.5 x Ø72 x 9.5 ZCA	5
32	921040074	FLAT WASHER Ø16.5 x Ø35 x 4.75 ZCA	5
33	921050016	SPRING LOCK WASHER B16 DIN 127 ZFP	5
34	922051236	LOCK PIN R 3.0 x 45 ZCA	1
35	922172442	COTTER PIN 6 x 63 DIN94 ZCA	1
36	924080000	STRAIGHT GREASE NIPPLE M8 x 1 DIN71412	10
37	924080040	TAPER TYPE GREASE NIPPLE M8 x 1,25 x 40 DIN71412	1
38	008961	AB ROCKER GRANOS 26000/33000	1





AB - GRANOS 33000 WITH 5th WHEEL

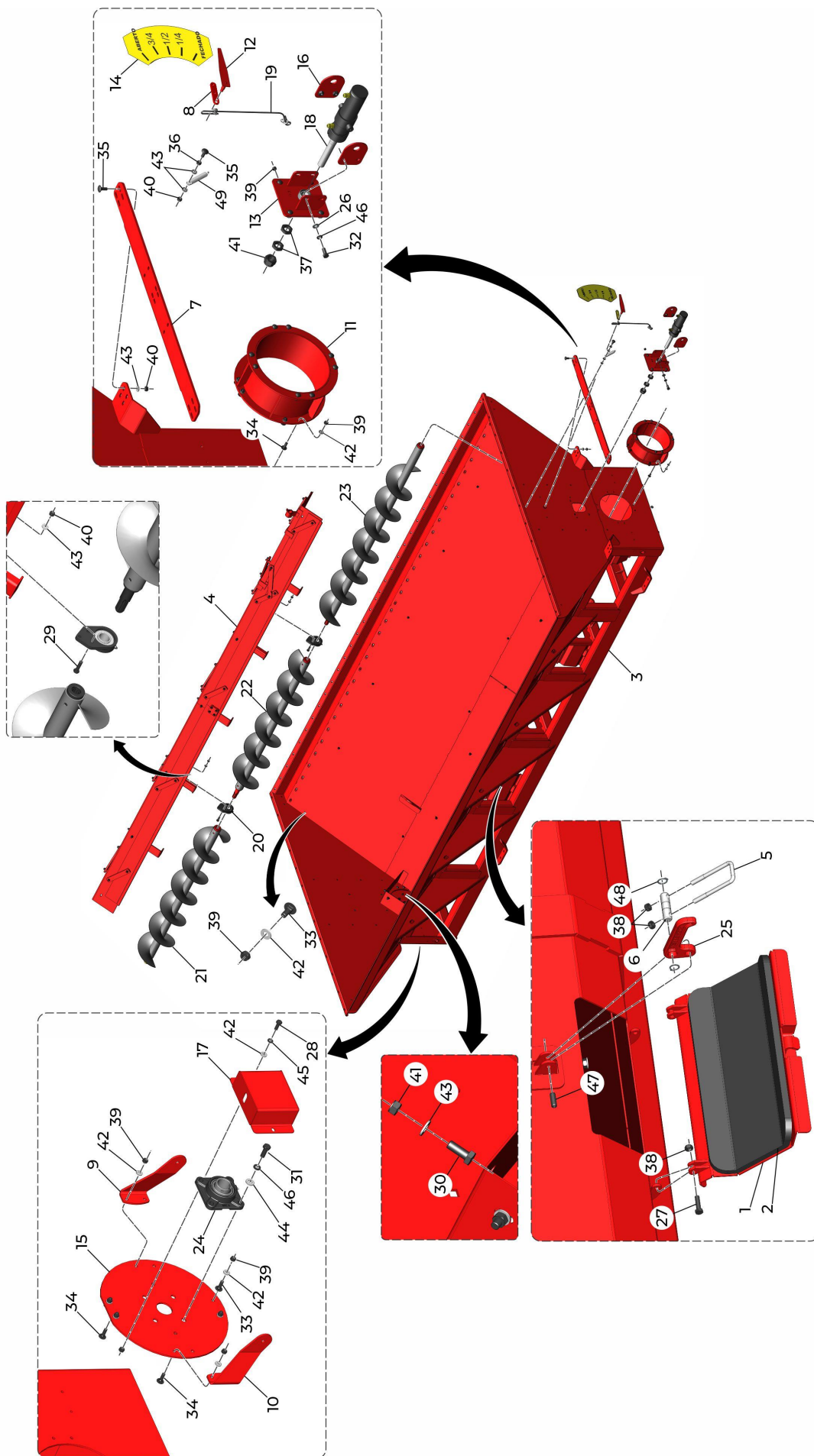
Item	Code	Name	Amount
1	021447	AB DISCHARGE PIPE Ø500 (GRANOS 26000/33000)	1
2	022410	LIGHTING ELECTRIC KIT GRANOS 26000 AND 33000	1
3	022481	AB GRANOS 33000 HOPPER	1
4	022535	AB HOSES Ø500 PIPE(GRANOS 26000/33000)	1
5	310230032	AB REAR BUMPER GRANOS 33000	1
6	310231002	AB LIFT ASSEMBLY GRANOS 33000 AND 26000	1
7	401042005	FLAT WASHER Ø20.5 x Ø40 x 3 ZB	16
8	901325040	HEX HEAD BOLT M16x2.0x40 DIN 933 8.8 ZFP	2
9	901332060	HEX HEAD BOLT M20x2.5x60 DIN 931 8.8 ZFP	16
10	920111601	HEX LOCK NUT M16 x 2.0 DIN 985 ZFP	2
11	920112001	HEX LOCK NUT M20 x 2.5 DIN EN ISO 10511 ZFP	16
12	921040074	FLAT WASHER Ø16.5 x Ø35 x 4.75 ZCA	2
13	022424	AB - GRANOS 33000 WITH 5th WHEEL	1





AB GRANOS 33000 HOPPER

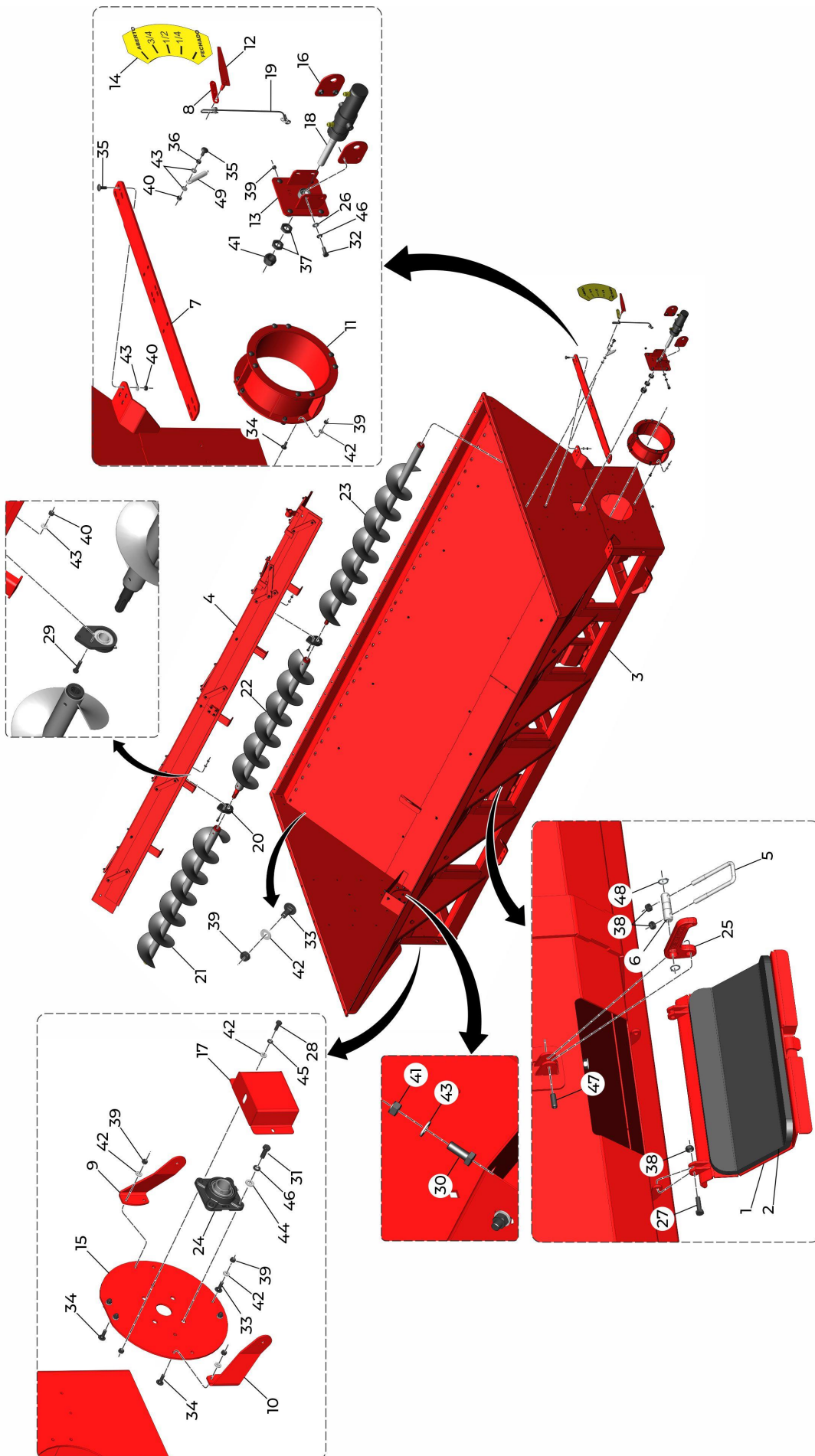
Item	Code	Name	Amount
1	021928	SB LIGHT SIGN SUPPORT	2
2	022224	AB CHASSIS GRANOS 33000	1
3	310110035	VERTICAL REINFORCEMENT PROFILE	4
4	310121037	SB SPIA PROTECTION	1
5	310210303	PIN	2
6	310220030	LADDER	1
7	310220088	SB TARP PIPE HITCH	2
8	310230040	AB OVERHEAD 33000	1
9	310231035	AB BOX REINFORCEMENT (GRANOS 26000/33000)	1
10	330120033	SB EXTERNAL LADDER	1
11	330121016	SB SMALLER LADDER	1
12	901309025	HEX HEAD BOLT M8x1.25x25 DIN 933 8.8 ZFP	2
13	902308020	CARRIAGE BOLT M8x1.25x20 DIN 603 8.8 ZFP	6
14	902312025	FRENCH BOLT M10x1.5x25 DIN 603 8.8 ZFP	46
15	902312035	CARRIAGE BOLT M10x1.5x35 DIN 603 8.8 ZFP	6
16	902316030	CARRIAGE BOLT M12x1.75x30 DIN 603 8.8 ZFP x 10	144
17	920110801	HEX LOCK NUT M8 x 1.25 DIN EN ISO 10511 ZFP	8
18	920111001	HEX LOCK NUT M10 x 1.5 DIN EN ISO 10511 ZFP	50
19	920111201	HEX LOCK NUT M12 x 1.75 DIN EN ISO 10511 ZFP	144
20	921030008	FLAT WASHER Ø8.4 x Ø17 x 1.5 DIN125 ZCA	8
21	921030010	FLAT WASHER Ø10.5 x Ø21 x 2 DIN125A ZCA	50
22	921040073	FLAT WASHER Ø12.5 x Ø30 x 2 ZCA	144
23	922051848	LOCK PIN R 4.0 x 75 ZCA	4
24	022481	AB GRANOS 33000 HOPPER	1





AB CHASSIS GRANOS 33000

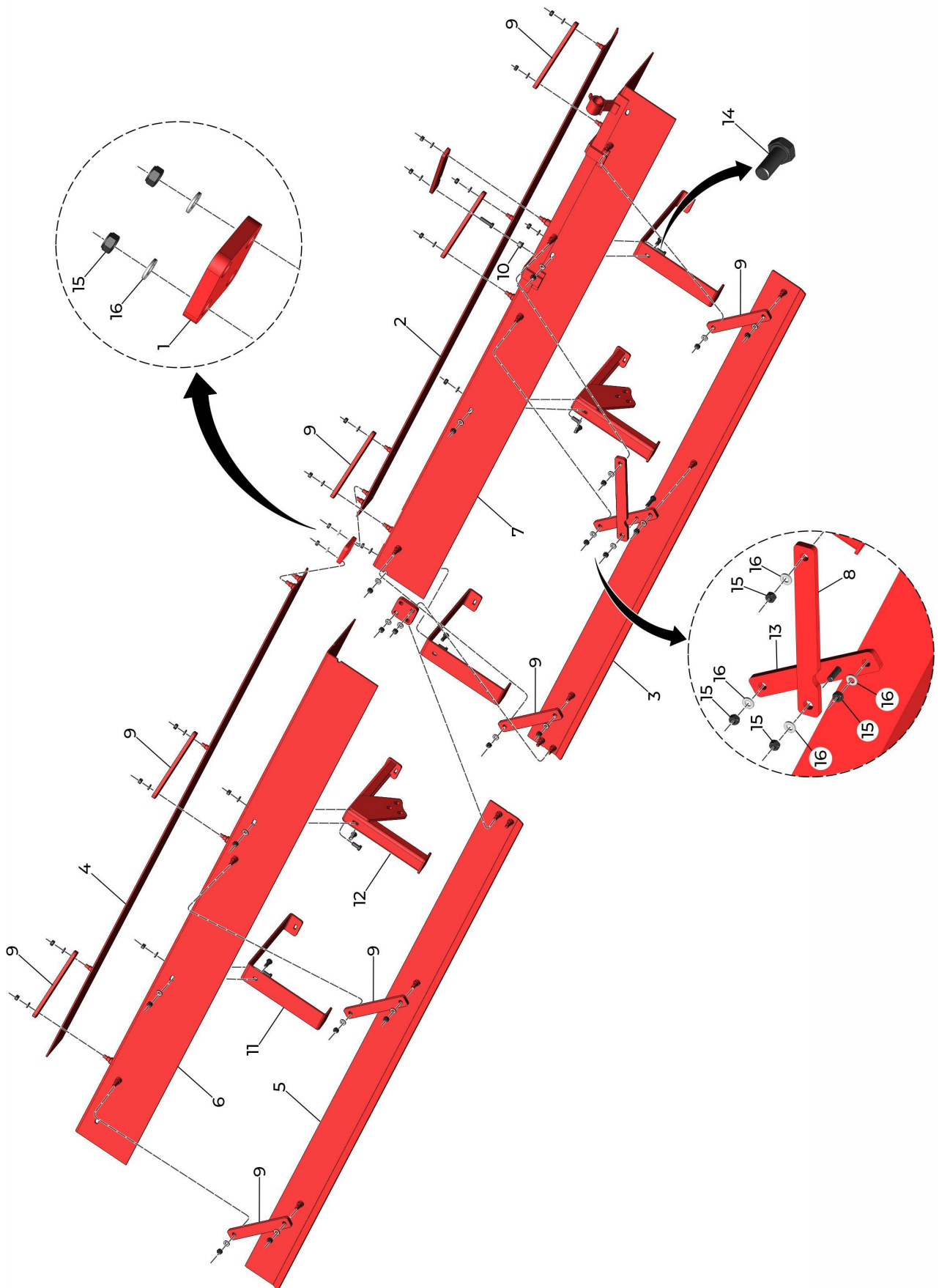
Item	Code	Name	Amount
1	012175	SB PENSTOCK COVER	4
2	012828	PENSTOCK PROTECTION FOAM	4
3	022226	SB CHASSIS GRANOS 33000	1
4	022287	AB INTERNAL PENSTOCK GRANOS 33000	1
5	200240001	CLAMP M8	4
6	200240002	PIN	4
7	310110119	CYLINDER SUPPORT PLATE	1
8	310110231	SPIA TRACTION PLATE	1
9	310110319	LADDER SUPPORT (D)	1
10	310110329	LADDER SUPPORT (E)	1
11	310120019	SB AUGER AND FUNIL UNION	1
12	310120038	SB PENSTOCK LEVER	1
13	310131012	AB CYLINDER SUPPORT WITH PULLEY (GRANOS 26000/33000)	1
14	310140026	INDICATING LABEL	1
15	310220053	SB AUGER REAR COVER	1
16	310220106	SB CLOSING PISTON FIXER	2
17	310220107	SB PROTECTION OF REAR HELICOID OUTLET	1
18	310230020	CLOSING HYDRAULIC CYLINDER	1
19	310230021	AB MARKER SPIA (GRANOS 26000/33000)	1
20	310231033	AB BEARING – ROLLER BEARING UCFB 208	2
21	310240030	SB REAR HORIZONTAL HELICOID	1
22	310240031	SB CENTRAL HORIZONTAL HELICOID	1
23	310240032	SB FRONT HORIZONTAL HELICOID	1
24	751031001	AB BEARING WITH UCF ROLLER BEARING 209 Ø45MM FRM	1
25	900005502	HOPPER HITCH LEVER	4
26	901060009	FLAT WASHER Ø14 x Ø28 x 2.5	4
27	901309030	HEX HEAD BOLT M8x1.25x30 DIN 933 8.8 ZFP	8
28	901313030	HEX HEAD BOLT M10x1.5x30 DIN 933 8.8 ZFP	2
29	901316050	HEX HEAD BOLT M12x1.75x50 DIN 931 8.8 ZFP	6
30	901317030	HEX BOLT M12x1.75x30 DIN 933 8.8 ZFP	4
31	901360007	HEX HEAD BOLT M14x2.0x40 DIN 933 8.8 ZFP	4
32	901360057	HEX HEAD BOLT M14x2.0x35 DIN 933 8.8 ZFP	4
33	902312025	FRENCH BOLT M10x1.5x25 DIN 603 8.8 ZFP	32
34	902312035	CARRIAGE BOLT M10x1.5x35 DIN 603 8.8 ZFP	24
35	902316035	FRENCH BOLT M12x1.75x35 DIN 603 8.8 ZFP	9
36	920001201	HEX NUT M12 x 1.75 DIN 934 ZFP	1
37	920013001	LOW HEX NUT M30 x 2.0 DIN 936 ZFP	2
38	920110801	HEX LOCK NUT M8 x 1.25 DIN EN ISO 10511 ZFP	16
39	920111001	HEX LOCK NUT M10 x 1.5 DIN EN ISO 10511 ZFP	57
40	920111201	HEX LOCK NUT M12 x 1.75 DIN EN ISO 10511 ZFP	19
41	920113002	HEX LOCK NUT M30 x 2.0 DIN EN ISO 10511 ZFP	1
42	921030010	FLAT WASHER Ø10.5 x Ø21 x 2 DIN125A ZCA	58
43	921030012	FLAT WASHER Ø13 x Ø24 x 2.5 DIN125A ZCA	21
44	921030014	FLAT WASHER Ø15 x Ø28 x 2.5 DIN125A ZCA	4
45	921050010	SPRING LOCK WASHER B10 DIN 127 ZFP	2
46	921050014	SPRING LOCK WASHER B14 DIN 127 ZFP	7
47	922013027	SPRING PIN 10x28 DIN 1481	4
48	923101016	RETAINING RING E16 DIN 471	8
49	936002009	SPRING	1





AB CHASSIS GRANOS 33000

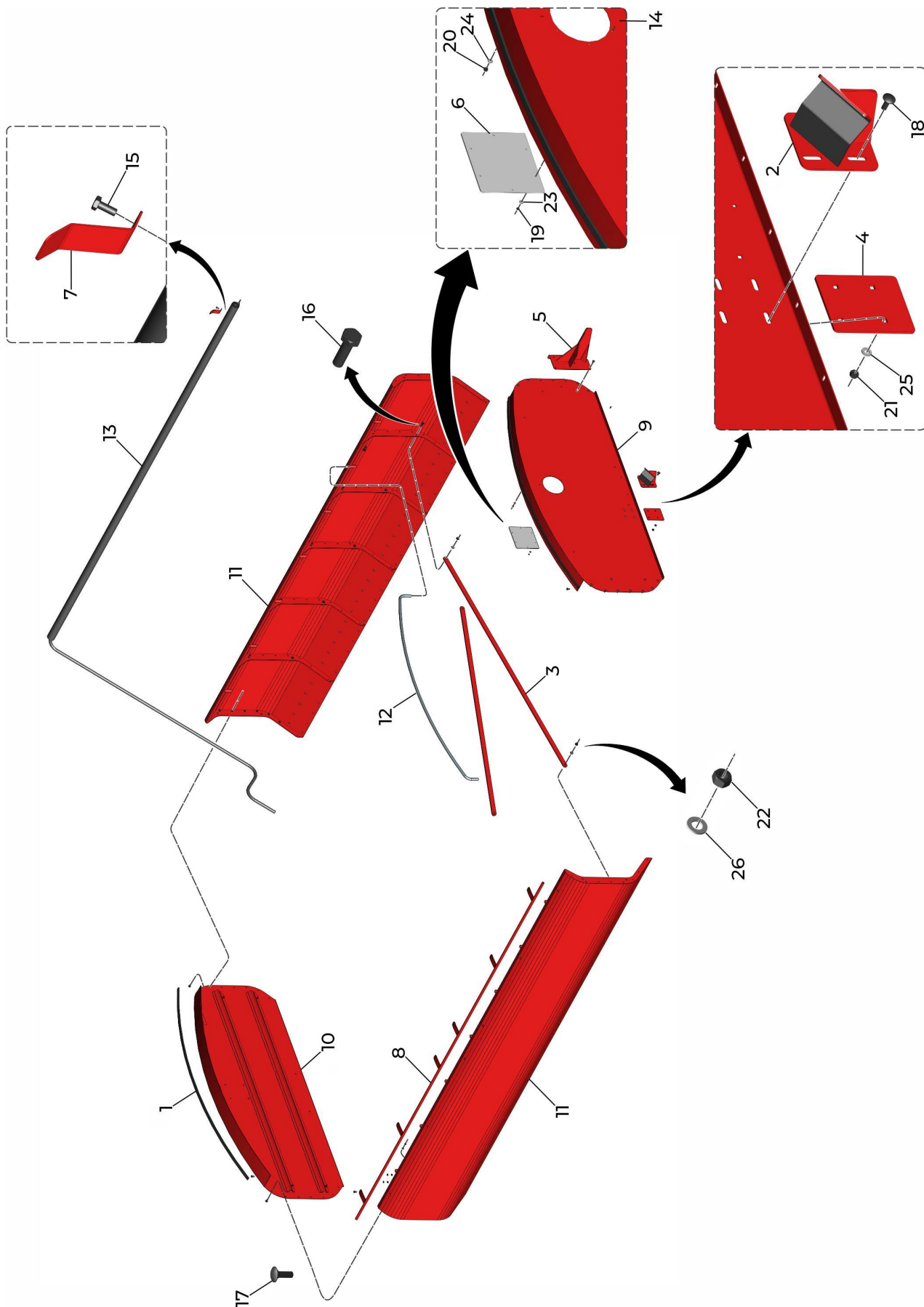
Item	Code	Name	Amount
50	022224	AB CHASSIS GRANOS 33000	1





AB INTERNAL PENSTOCK GRANOS 33000

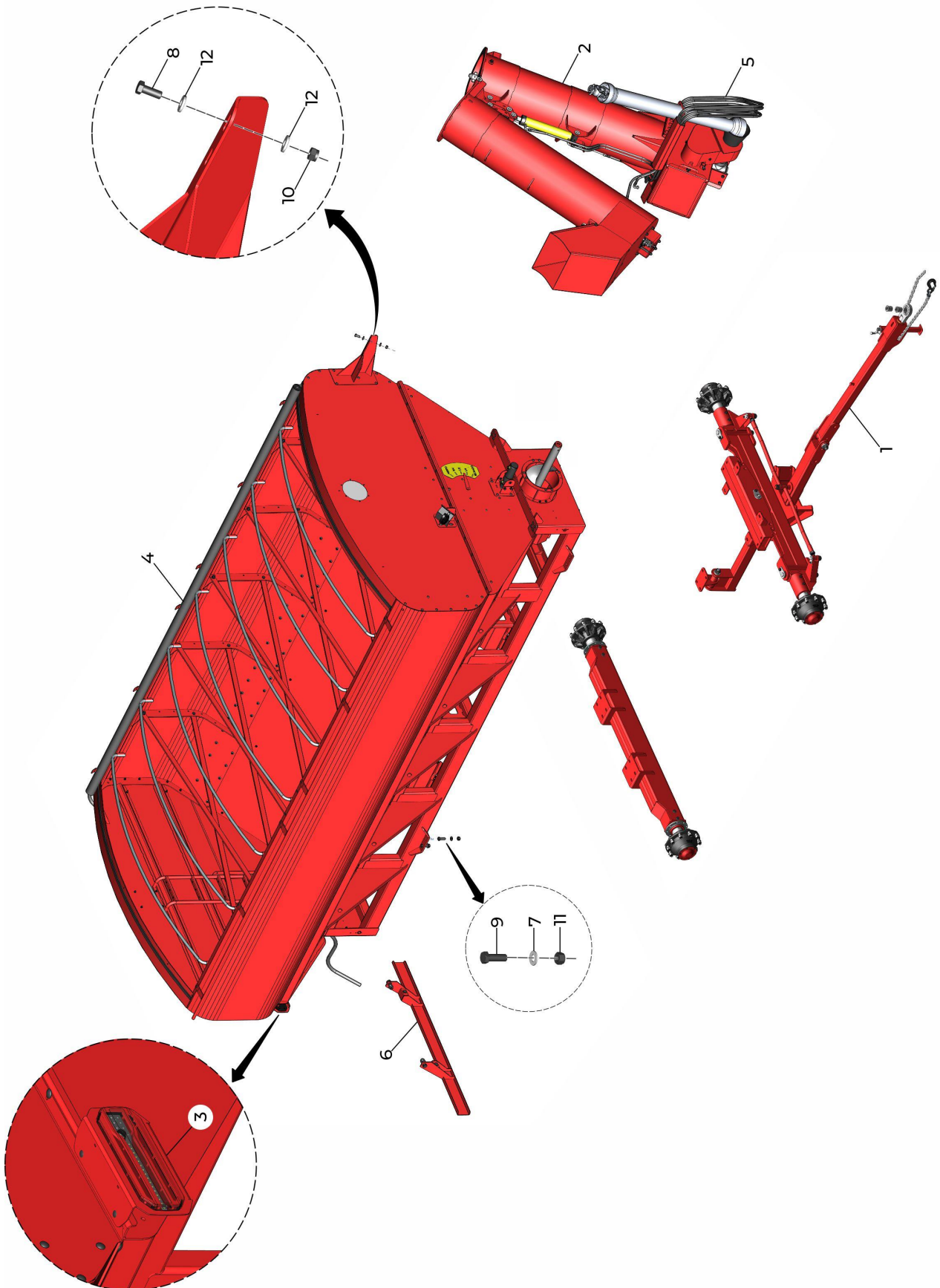
Item	Code	Name	Amount
1	021719	PENSTOCK BLANCK UNION	2
2	022289	SB FRONT PENSTOCK LE	1
3	022290	SB FRONT PENSTOCK LD	1
4	022296	SB REAR PENSTOCK LE	1
5	022301	SB REAR PENSTOCK LD	1
6	030168	SB REAR GUTTER	1
7	030172	SB FRONT GUTTER + PENSTOCK OPENING	1
8	310110204	FITTING PLATE	2
9	310110206	FITTING PLATE 2 POINTS	8
10	310110207	ARTICULATION BUSHING	2
11	310111107	GUTTER FIXATION PLATE	3
12	310220074	SB GUTTER SUPPORT	2
13	310220094	SB JOINT PLATE WITH SCREW	2
14	901317030	HEX BOLT M12x175x30 DIN 933 8.8 ZFP	10
15	920111201	HEX LOCK NUT M12 x 1.75 DIN EN ISO 10511 ZFP	42
16	921030012	FLAT WASHER Ø13 x Ø24 x 2.5 DIN125A ZCA	42
17	022287	AB INTERNAL PENSTOCK GRANOS 33000	1





AB OVERHEAD 33000

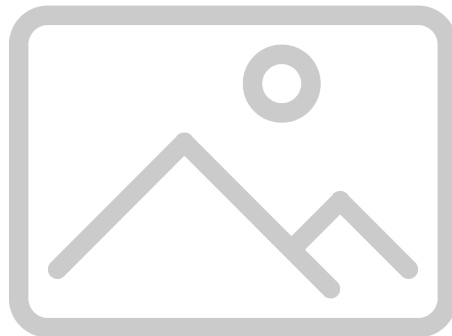
Item	Code	Name	Amount
1	011170	TARP SEALING RUBBER	2
2	042152	AB BED SUPPORT (GRANOS 26000/33000)	1
3	310110272	SUPPORT PLATE	10
4	310111213	REMOVER PLATE	1
5	310121063	SB AUGER SUPPORT	1
6	310210293	ACRYLIC COVER	1
7	310210410	TARP SUPPORT	6
8	310220024	SB TARP LANDING	1
9	310220092	SB FRONT OVERHEAD PLATE	1
10	310220093	SB REAR OVERHEAD PLATE	1
11	310221073	SB SIDE OVERHEAD 33000	2
12	320510123	CART TARP BOW - 12,5 x 5	7
13	330140182	GRAIN CART TARP SYSTEM 33000	1
14	901305020	HEX HEAD BOLT M6x1.0x20 DIN 933 8.8 ZFP	6
15	901313025	HEX HEAD BOLT M10x1.5x25 DIN 933 8.8 ZFP	6
16	901328050	HEX HEAD BOLT M18x2.5x50 DIN 931 8.8 ZFP	20
17	902312030	FRENCH BOLT M10x1.5x30 DIN 603 8.8 ZFP	55
18	902316035	FRENCH BOLT M12x1.75x35 DIN 603 8.8 ZFP	4
19	920000601	HEX NUT M6 x 1.0 DIN 934 ZFP	6
20	920111001	HEX LOCK NUT M10 x 1.5 DIN EN ISO 10511 ZFP	61
21	920111201	HEX LOCK NUT M12 x 1.75 DIN EN ISO 10511 ZFP	4
22	920111801	HEX LOCK NUT M18 x 2.5 DIN EN ISO 10511 ZFP	20
23	921010006	FLAT WASHER Ø6.4 x Ø18 x 1.5 DIN 9021 ZCA	6
24	921030010	FLAT WASHER Ø10.5 x Ø21 x 2 DIN125A ZCA	61
25	921030012	FLAT WASHER Ø13 x Ø24 x 2.5 DIN125A ZCA	4
26	921030018	FLAT WASHER Ø19 x Ø34 x 3 DIN125A ZCA	20
27	310230040	AB OVERHEAD 33000	1





AB GRANOS 33000 ROCKER

Item	Code	Name	Amount
1	009897	AB ROCKER LIFT ASSEMBLY GRANOS 33000 E 26000	1
2	021447	AB DISCHARGE PIPE Ø500 (GRANOS 26000/33000)	1
3	022410	LIGHTING ELECTRIC KIT GRANOS 26000 AND 33000	1
4	022481	AB GRANOS 33000 HOPPER	1
5	022535	AB HOSES Ø500 PIPE(GRANOS 26000/33000)	1
6	310230032	AB REAR BUMPER GRANOS 33000	1
7	401042005	FLAT WASHER Ø20.5 x Ø40 x 3 ZB	20
8	901325040	HEX HEAD BOLT M16x2.0x40 DIN 933 8.8 ZFP	2
9	901332060	HEX HEAD BOLT M20x2.5x60 DIN 931 8.8 ZFP	20
10	920111601	HEX LOCK NUT M16 x 2.0 DIN 985 ZFP	2
11	920112001	HEX LOCK NUT M20 x 2.5 DIN EN ISO 10511 ZFP	20
12	921040074	FLAT WASHER Ø16.5 x Ø35 x 4.75 ZCA	2
13	022472	AB GRANOS CART 33000 ROCKER	1





LABEL KIT

Item	Code	Name	Amount
2	776045000	AB LABEL KIT GRANOS 26000 VENCE TUDO	1
4	310240020	AB LABEL KIT GRANOS 33000 VENCE TUDO	1



VENCE TUDO GRANOS 26000

4

VENCE TUDO GRANOS 26000

3

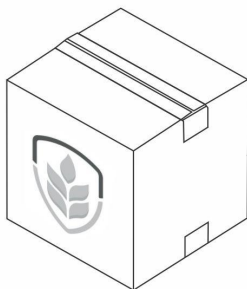
VENCE TUDO

2



1

VENCE TUDO®



5

6





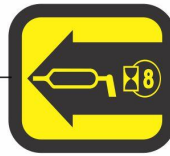
AB LABEL KIT GRANOS 26000 VENCE TUDO

Item	Code	Name	Amount
1	022449	LABEL YELLOW VENCE TUDO LOGO (466x750	1
2	023758	LABEL VENCE TUDO (140x1411) - PIPE	1
3	934505056	LABEL VENCE TUDO GRANOS 26000 (430x3163) - REAR	1
4	934505057	LABEL VENCE TUDO GRANOS 26000 (430x5010) - SIDE	2
5	054883	AB STANDARD LABEL KIT GRANOS 26000 - 33000	1
6	063559	LABEL 57 YEARS - RESIN-COATED	1
7	776045000	AB LABEL KIT GRANOS 26000 VENCE TUDO (ROCKER)	1



Velocidade Máxima de Transporte
Maximum Transport Velocity
Velocidad Máxima de Transporte
30 km/h

ATENÇÃO/ATTENTION/ATENCIÓN
 O ESQUEMA DE ADESIVOS INFORMATIVOS FIXADOS NO EQUIPAMENTO SÃO PARA SUA PROTEÇÃO E SEGURANÇA. NÃO REMOVA QUALQUER UM DOS AVISOS. REPONHA AQUELE QUE HOUVER ESTRAGADO.
 THE SCHEME OF EQUIPMENT ADHESIVES FIXED IN THE EQUIPMENT ARE FOR YOU PROTECTION AND SAFETY. DO NOT REMOVE ANY WARNINGS. REPEAT THAT THERE IS SPOILED.
 EL ESQUEMA DE EQUIPOS ADHESIVOS FIJOS EN EL EQUIPO SON PARA USTEDES PROTECCIÓN Y SEGURIDAD. NO RETIRE NINGUNA ADVERTENCIA. REPETIR QUE HAY SPOILED.



ATENÇÃO/ATTENTION/ATENCIÓN

1000 RPM



ATENÇÃO/ATTENTION/ATENCIÓN
RISCO DE CAPOTAGEM
CAPACITY RISK
RIESGO DE CAPOTADO

 NÃO DESCARREGAR E/OU TRANSMITAR COM O ACOPLAMENTO CARREGADO SOBRE TERRENO MACIO OU EM DECLIVE MAIOR QUE 8,5°.
 DO NOT DISCHARGE AND / OR TRANSMIT WITH COUPLING LOADED ON GROUND SOFT OR IN DECLINE OVER 8.5°.
 NO DESCARGAR Y / O TRANSMITAR CON EL ACOPLAMIENTO CARGADO SOBRE TERRENO MACIO O EN DECLIVE MAYOR QUE 8.5°.

ATENÇÃO/ATTENTION/ATENCIÓN

540 RPM



CUIDADO/CAUTION/PRECAUCIÓN
OBSERVAR MONTAGEM
OBSERVE ASSEMBLY
OBSERVAR MONTAJE



IMPORTANTE/IMPORTANT/IMPORTANTE

 REVISAR O APERTO DAS PORCAS DAS RODAS COM A FREQUÊNCIA INDICADA NO MANUAL DO OPERADOR.
 CHECK THE NUT OF THE WHEEL NUTS WITH THE FREQUENCY INDICATED IN THE OPERATOR'S MANUAL.
 REVISAR EL APARTE DE LAS TAPAS DE LAS RUEDAS CON LA FRECUENCIA INDICADA EN EL MANUAL DEL OPERADOR.
 CONTROLAR A PRESSÃO DOS PNEUS CONFORME ESPECIFICAÇÕES ABAIXO.
 CONTROL TIRE PRESSURE AS SPECIFICATIONS BELOW.
 CONTROLAR LA PRESIÓN DE LOS NEUMÁTICOS SEGUN LAS ESPECIFICACIONES A CONTINUACIÓN:

23.1-30	170 kPa (25 lbf/pol ² -1.70 bar)
24.5-32	170 kPa (25 lbf/pol ² -1.70 bar)
30.5L32	180 kPa (26 lbf/pol ² -1.80 bar)
650/65-30.5	250 kPa (36 lbf/pol ² - 2.50 bar)
850/65-30.5	250 kPa (36 lbf/pol ² - 2.50 bar)
28L26	190 kPa (27 lbf/pol ² - 1.90 bar)

CUIDADO/CAUTION/PRECAUCIÓN

 NÃO O PERMANECER NA MÁQUINA ENQUANTO ESTA ESTIVER EM FUNCIONAMENTO.
 DO NOT STAY IN THE MACHINE WHILE IT IS IN OPERATION.
 NO PERMANECE EN LA MÁQUINA CUANDO ESTÉ EN FUNCIONAMIENTO.

RISCO DE CHOQUE ELÉTRICO
NÃO MOVIMENTAR O EQUIPAMENTO COM O TUBO DE DESCARGA ELEVADO.
RISK OF ELECTRIC SHOCK
DO NOT MOVE EQUIPMENT WITH HIGH DISCHARGE TUBE
RIESGO DE CHOQUE ELÉCTRICO
NO MOVIMIENTO DEL EQUIPO CON EL TUBO DE DESCARGA ALTO





AB STANDARD LABEL KIT GRANOS 26000 - 33000

Item	Code	Name	Amount
1	934005081	GEAR CAUTION LABEL (50X100)	1
2	934505025	LABEL AVOID FLUIDS UNDER HIGH PRESSURE (91x168)	1
3	934505026	LABEL READ THE MANUAL (91x168)	1
4	934505028	LABEL 540 RPM (85x90)	1
5	030560	LABEL TIGHTEN NUTS AND TIRE PRESSURE GRANOS 26000 E 33000 (180x193)	1
6	934505030	LABEL WARNING AUGER MOVING (91x168)	1
7	934505031	LABEL CAREFUL WITH SHAFT (91x168)	2
8	934505032	LABEL WARNINGN SECURITY (173x169)	1
9	934505033	LABEL LUBRIFICATE 8HS (22x25)	18
10	934505034	LABEL NOTE SHAFT ASSEMBLY (91x123)	1
11	934505035	LABEL ROTATION RISK (117x89)	1
12	934505054	LABEL TRANSPORT SPEED (91x246)	1
13	934505053	LABEL INFORMATION LABELS	1
14	934505058	LABEL REFLECTIVE LIGHT SIGN (50x300)	10
15	934505059	LABEL REFLECTIVE LIGHT BUMPER (100x2000)	1
16	053497	LABEL 1000 RPM (85x90)	1
17	054883	AB STANDARD LABEL KIT GRANOS 26000-33000	1



VENCE TUDO GRANOS 33000

4

VENCE TUDO GRANOS 33000

3

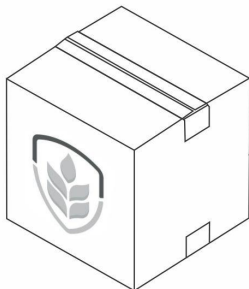
VENCE TUDO

2



1

VENCE TUDO[®]



5



6



AB LABEL KIT GRANOS 33000 VENCE TUDO

Item	Code	Name	Amount
1	022449	LABEL YELLOW VENCE TUDO LOGO (466x750	1
2	023758	LABEL VENCE TUDO (140x1411) - PIPE	1
3	023757	LABEL VENCE TUDO GRANOS 33000 (430x3163) - REAR	1
4	023756	LABEL VENCE TUDO GRANOS 33000 (430x5984) - SIDE	2
5	054883	AB STANDARD LABEL KIT GRANOS 26000 - 33000	1
6	063559	LABEL 57 YEARS - RESIN-COATED	1
7	310240020	AB LABEL KIT GRANOS 33000 VENCE TUDO (ROCKER)	1



VENCE TUDO

Rodovia RS 223 - Km 53 - Área Industrial - Ibirubá - Rio Grande do Sul - Brasil

 +55 54 3324-8000

 +55 54 3324-8030

vencetudo@vencetudo.ind.br | www.vencetudo.ind.br