

# • VENCE TUDO •

## PARTS CATALOG



FORTE ATÉ NO NOME

06/2016

---

***PANTOGRAPHIC FRONT  
AGRICULTURAL PLANER***



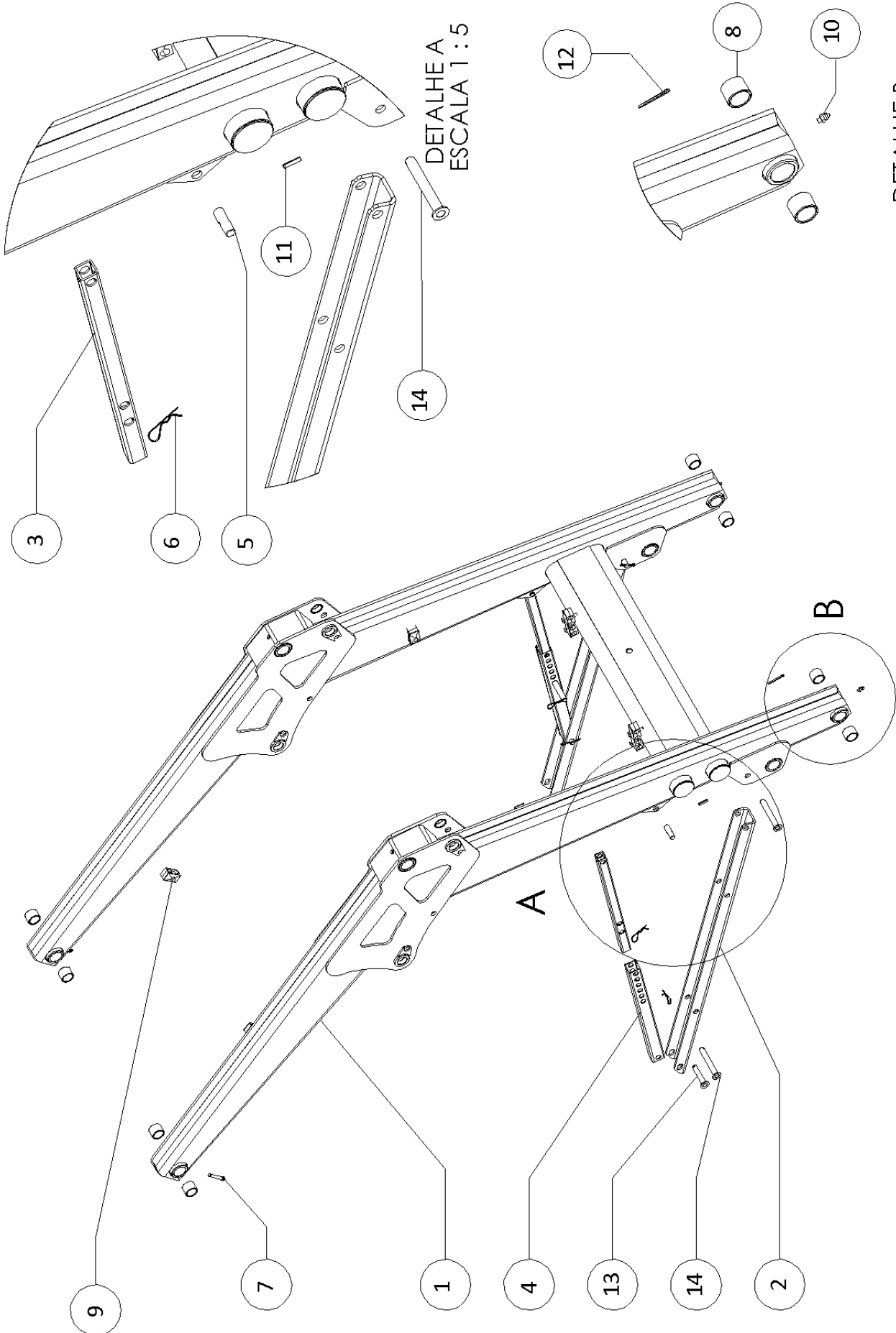
## PARTS CATALOG

The present parts catalogue was drawn to facilitate the identification and the recognition of parts of your **PANTOGRAPHIC FRONT AGRICULTURAL PLANER**, in the purchase act or replacement that may be necessary, containing the design, code, name and specific amount for each model.

### CONTENTS

COMPLEMENT KIT.....	4
ARTICULATION KIT.....	6
HYDRAULIC KIT.....	8
FRONT CYLINDER - PVT 1150 / PVT 1150 E.....	10
RIGHT LIFT CYLINDER - PVT 1150 / PVT 1150 E.....	11
LEFT LIFT CYLINDER - PVT 1150 / PVT 1150 E.....	12
FRONT CYLINDER - PVT 1450 / PVT 1550 / PVT 1450 E / PVT 1550 E.....	13
RIGHT LIFT CYLINDER - PVT 1450 / PVT 1550 / PVT 1450 E / PVT 1550 E / PVT 1450 C / PVT 1550 C / PVT 1450 E C / PVT 1550 E C.....	14
LEFT LIFT CYLINDER - PVT 1450/PVT 1550/PVT 1450 E/PVT 1550 E/ PVT 1450 C/ PVT 1550 C/ PVT 1450 E C/PVT 1550 E C.....	15
FRONT CYLINDER - PVT 1450 C/ PVT 1550 C / PVT 1450 E C / PVT 1550 E C.....	16
FRONT CYLINDER - PVT 1850/PVT 2250 / PVT 1850 E / PVT 2250 E.....	17
RIGHT LIFT CYLINDER - PVT 1850 / 1850 E .....	18
LEFT LIFT CYLINDER - PVT 1850 / PVT 1850 E.....	19
RIGHT LIFT CYLINDER - PVT 2250 / PVT 2250 E .....	20
LEFT LIFT CYLINDER - PVT 2250 / PVT 2250 E.....	21
FRONT CYLINDER - PVT 3000 .....	22
RIGHT LIFT CYLINDER - PVT 3000.....	23
LEFT LIFT CYLINDER - PVT 3000.....	24

**COMPLEMENT KIT**



DETALHE A  
ESCALA 1 : 5

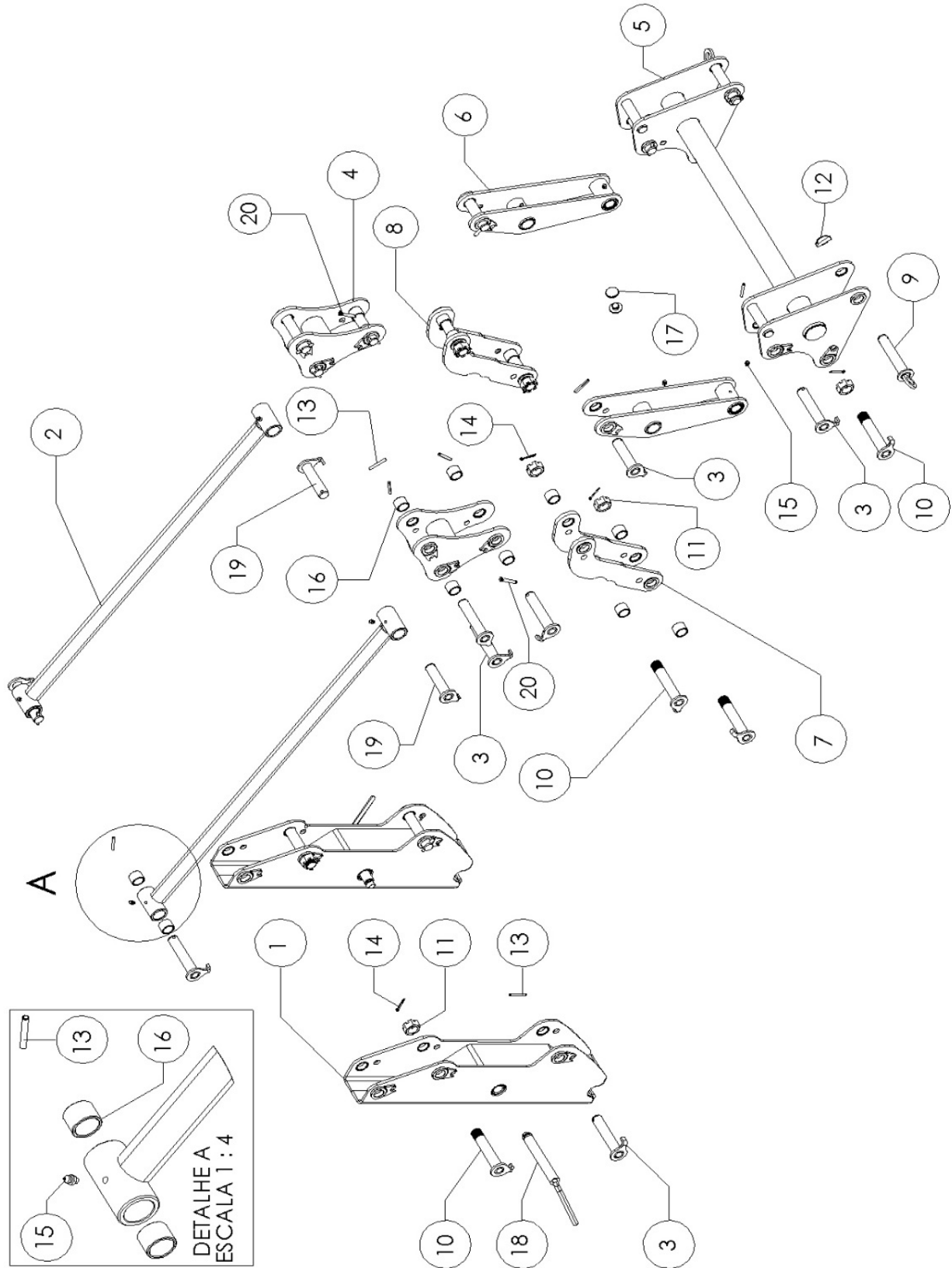
DETALHE B  
ESCALA 1 : 5



**COMPLEMENT KIT - PVT 1150/PVT 1150 E /PVT 1450/PVT 1450 E/ PVT 1450 C/ PVT 1450 E C / PVT 1550 / PVT 1550 E/PVT 1550 C/ PVT 1550 E C / PVT 1850/PVT 1850 E/PVT 2250/PVT 2250 E/PVT 3000**

REF.	CODE	DESIGNATION	QTY./ MACHINE														
			1150	1150 E	1450	1540 E	1450 C	1450 E C	1550	1550 E	1550 C	1550 E C	1850	1850 E	2250	2250 E	3000
1	090921001	"H" 1150	1	-	-	-	-	-	-	-	-	-	-	-	-	-	-
1	070721001	"H" 1150E	-	1	-	-	-	-	-	-	-	-	-	-	-	-	-
1	101021001	"H"1450	-	-	1	-	-	-	-	-	-	-	-	-	-	-	-
1	101021007	"H"1450E	-	-	-	1	-	-	-	-	-	-	-	-	-	-	-
1	101021005	"H"1450C	-	-	-	-	1	-	-	-	-	-	-	-	-	-	-
1	101021011	"H"1450E.C	-	-	-	-	-	1	-	-	-	-	-	-	-	-	-
1	111121001	"H"1550	-	-	-	-	-	-	1	-	-	-	-	-	-	-	-
1	212121001	"H"1550E	-	-	-	-	-	-	-	1	-	-	-	-	-	-	-
1	111121036	"H"1550C	-	-	-	-	-	-	-	-	1	-	-	-	-	-	-
1	212121002	"H"1550E.C	-	-	-	-	-	-	-	-	-	1	-	-	-	-	-
1	121220001	"H"1850	-	-	-	-	-	-	-	-	-	-	1	-	-	-	-
1	121220007	"H"1850E	-	-	-	-	-	-	-	-	-	-	-	1	-	-	-
1	131320001	"H"2250	-	-	-	-	-	-	-	-	-	-	-	-	1	-	-
1	141420001	"H"2250E	-	-	-	-	-	-	-	-	-	-	-	-	-	1	-
1	191920001	"H"3000	-	-	-	-	-	-	-	-	-	-	-	-	-	-	1
2	090910020	SUPPORT FEET	2	2	-	-	-	-	-	-	-	-	-	-	-	-	-
2	111110031	SUPPORT FEET	-	-	2	2	2	2	2	2	2	2	2	2	2	2	2
2	111110120	SUPPORT FEET 1450/1550 COMP.	-	-	-	-	2	2	-	-	2	2	-	-	-	-	-
3	111110033	SUPPORT FEET SMALLER TUBE	2	2	2	2	2	2	2	2	2	2	2	2	2	2	2
4	111110032	SUPPORT FEET LARGER TUBE	2	2	2	2	2	2	2	2	2	2	2	2	2	2	2
5	111110044	SUPPORT FEET LOCK PIN	2	2	2	2	2	2	2	2	2	2	2	2	2	2	2
6	900360012	PIN "R"1/8X70	2	2	4	4	4	4	4	4	4	4	4	4	4	4	4
7	900260002	LONG GREASER 1/8X57 GAS 28F/"	2	2	2	2	2	2	2	2	2	2	2	2	2	2	2
8	111140003	STEEL SLEEVE	8	8	8	8	8	8	8	8	8	8	8	8	8	8	8
9	900160011	DOUBLE TUBE CLAMP	10	10	10	10	10	10	10	10	10	10	10	10	10	10	10
10	900260001	SHORT GREASER 1/8"GAS	2	2	2	2	2	2	2	2	2	2	2	2	2	2	2
11	900360013	ELASTIC PIN 6X30	2	2	2	2	2	2	2	2	2	2	2	2	2	2	2
12	900460001	COUNTERPIN 3/16"X2.1/2"	2	2	2	2	2	2	2	2	2	2	2	2	2	2	2
13	111120020	SUPPORT FEET SMALLER PIN	2	2	2	2	2	2	2	2	2	2	2	2	2	2	2
14	111120021	SUPPORT FEET LARGER PIN	4	4	4	4	4	4	4	4	4	4	4	4	4	4	4
*	090930011	COMPLEMENT KIT PVT 1150	*	-	-	-	-	-	-	-	-	-	-	-	-	-	-
*	070730002	COMPLEMENT KIT PVT 1150 E	-	*	-	-	-	-	-	-	-	-	-	-	-	-	-
*	101030014	COMPLEMENT KIT PVT 1450	-	-	*	-	-	-	-	-	-	-	-	-	-	-	-
*	101030015	COMPLEMENT KIT PVT 1450 E	-	-	-	*	-	-	-	-	-	-	-	-	-	-	-
*	101030016	COMPLEMENT KIT PVT 1450 C	-	-	-	-	*	-	-	-	-	-	-	-	-	-	-
*	101030017	COMPLEMENT KIT PVT 1450 E C	-	-	-	-	-	*	-	-	-	-	-	-	-	-	-
*	111130042	COMPLEMENT KIT PVT 1550	-	-	-	-	-	-	*	-	-	-	-	-	-	-	-
*	212130005	COMPLEMENT KIT PVT 1550 E	-	-	-	-	-	-	-	*	-	-	-	-	-	-	-
*	111130043	COMPLEMENT KIT PVT 1550 C	-	-	-	-	-	-	-	-	*	-	-	-	-	-	-
*	212130007	COMPLEMENT KIT PVT 1550 E C	-	-	-	-	-	-	-	-	-	*	-	-	-	-	-
*	121230012	COMPLEMENT KIT PVT 1850	-	-	-	-	-	-	-	-	-	-	*	-	-	-	-
*	222230003	COMPLEMENT KIT PVT 1850 E	-	-	-	-	-	-	-	-	-	-	-	*	-	-	-
*	131330009	COMPLEMENT KIT PVT 2250	-	-	-	-	-	-	-	-	-	-	-	-	*	-	-
*	141430008	COMPLEMENT KIT PVT 2250 E	-	-	-	-	-	-	-	-	-	-	-	-	-	*	-
*	191930001	COMPLEMENT KIT PVT 3000	-	-	-	-	-	-	-	-	-	-	-	-	-	-	*

### ARTICULATION KIT

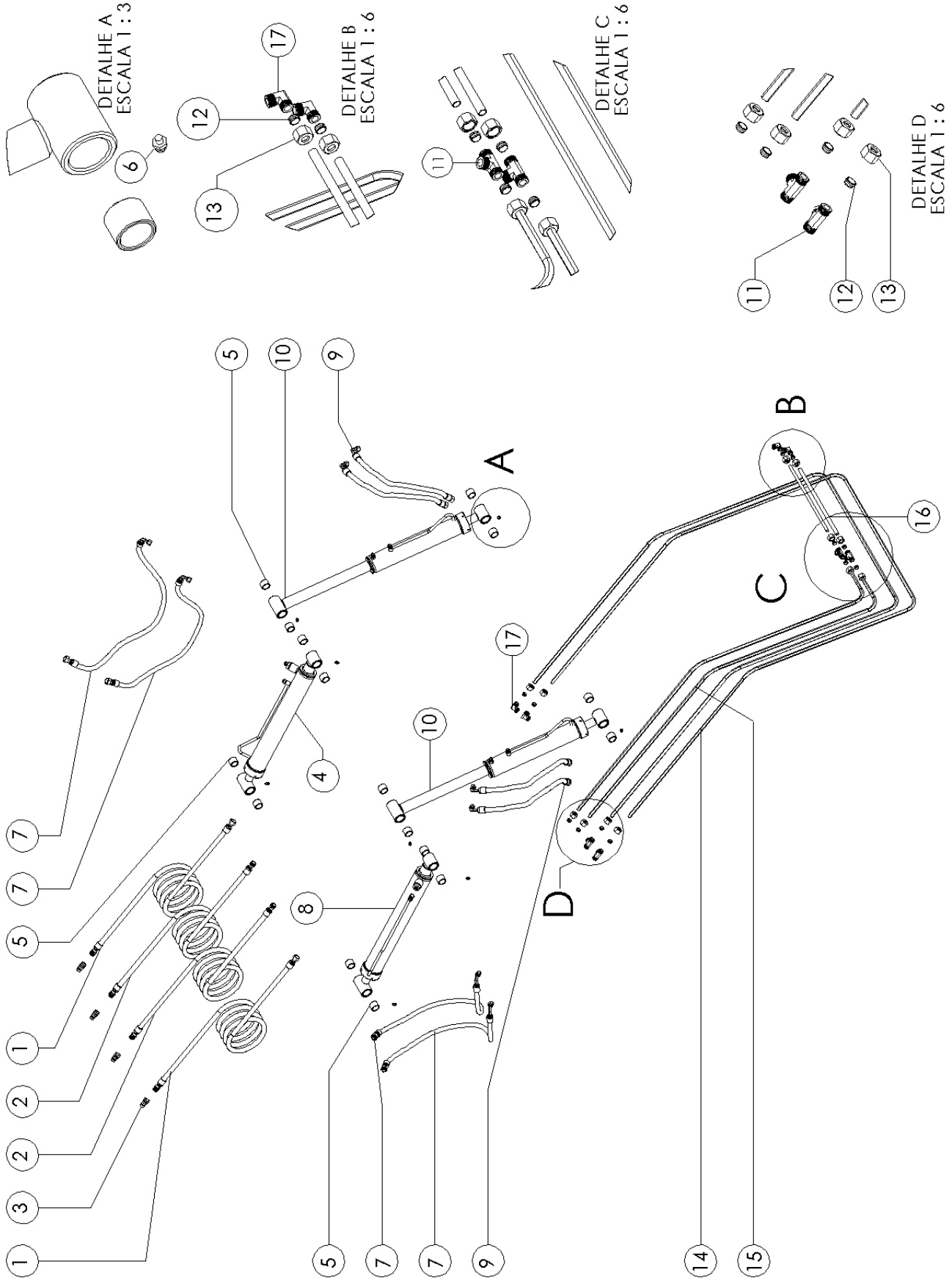




**ARTICULATION KIT - PVT 1150 / PVT 1150 E / PVT 1450 / PVT 1450 E / PVT 1450 C / PVT 1450 E C / PVT 1550 / PVT 1550 E / PVT 1550 C / PVT 1550 E C / PVT 1850 / PVT 1850 E / PVT 2250 / PVT 2250 E / PVT 3000**

REF.	CODE	DESIGNATION	QTY./ MACHINE														
			1150	1150 E	1450	1450 E	1450 C	1450 E C	1550	1550 E	1550 C	1550 E C	1850	1850 E	2250	2250 E	3000
1	111120003	CS PVT TOWER	-	-	2	2	-	-	2	2	-	-	2	2	2	2	2
1	090920005	CS PVT TOWER	2	2	-	-	-	-	-	-	-	-	-	-	-	-	-
1	111120034	PVT TOWER	-	-	-	-	2	2	-	-	2	2	-	-	-	-	-
2	111120011	PVT LIFTER 1550/1450	-	-	2	2	-	-	2	2	-	-	-	-	-	-	-
2	090920011	PVT LIFTER 1150	2	2	-	-	2	2	-	-	2	2	-	-	-	-	-
2	121220006	PVT LIFTER 1850	-	-	-	-	-	-	-	-	-	-	2	2	-	-	-
2	131320002	PVT LIFTER 2250	2	-	-	-	-	-	-	-	-	-	-	-	2	2	-
2	191920007	PVT LIFTER 3000	2	-	-	-	-	-	-	-	-	-	-	-	-	-	2
3	111120014	LARGEST PIN	-	-	12	12	12	12	12	12	12	12	12	12	12	12	12
3	090920016	SMALLEST PIN	12	12	-	-	-	-	-	-	-	-	-	-	-	-	-
4	111120010	UPPER ARTICULATOR	-	-	2	2	2	2	2	2	2	2	2	2	2	2	2
4	090920010	UPPER ARTICULATOR	2	2	-	-	-	-	-	-	-	-	-	-	-	-	-
5	111120006	QUICK HITCH KIT 944mm	-	-	1	-	1	-	1	-	1	-	1	-	-	-	-
5	111129007	QUICK HITCH KIT 1044mm	-	-	-	1	-	1	-	1	-	1	-	1	-	1	1
5	090920013	QUICK HITCH KIT 944 mm	1	-	-	-	-	-	-	-	-	-	-	-	-	-	-
5	090920006	QUICK HITCH KIT 1044 mm	-	1	-	-	-	-	-	-	-	-	-	-	-	-	-
6	111120007	FRONT ARTICULATOR	-	-	2	2	2	2	2	2	2	2	2	2	2	2	2
6	090920007	FRONT ARTICULATOR	2	2	-	-	-	-	-	-	-	-	-	-	-	-	-
7	111120008	CS RIGHT CROSS MEMBER	2	2	2	2	2	2	2	2	2	2	2	2	2	2	2
8	111120009	CS LEFT CROSS MEMBER	2	2	2	2	2	2	2	2	2	2	2	2	2	2	2
9	111120015	CS QUICK HITCH KIT	2	2	2	2	2	2	2	2	2	2	2	2	2	2	2
10	111120012	CS THREADED PIN	2	2	8	8	8	8	8	8	8	8	8	8	8	8	8
11	901160001	CASTLE NUT M30 x 2,0	8	8	8	8	8	8	8	8	8	8	8	8	8	8	8
12	900360004	LINCHPIN 3/8" x 2"	2	2	2	2	2	2	2	2	2	2	2	2	2	2	2
13	900360014	ELASTIC PIN 8x60	18	18	18	18	18	18	18	18	18	18	18	18	18	18	18
14	900360008	COUNTERPIN 3/16" x 1.1/2"	8	8	8	8	8	8	8	8	8	8	8	8	8	8	8
15	900260001	GREASER 1/8" GAS 28F/"	8	8	8	8	8	8	8	8	8	8	8	8	8	8	8
16	111140003	STEEL SLEEVE Ø32mm	24	24	24	24	24	24	24	24	24	24	24	24	24	24	24
17	203040008	SLIPPING AGENT	2	2	2	2	2	2	2	2	2	2	-	-	-	-	-
18	111120013	CS LOCK PIN	2	2	2	2	2	2	2	2	2	2	2	2	2	2	2
19	111120016	PVT LARGEST PIN	-	-	4	4	4	4	4	4	4	4	4	4	4	4	4
19	090920017	PVT LARGEST PIN	4	4	-	-	-	-	-	-	-	-	-	-	-	-	-
20	900260002	LONG GRASER 1/8X57 GAS 28F/"	2	2	2	2	-	-	2	2	-	-	2	2	2	2	2
*	090930012	ARTICULATION KIT PVT 1150	*	-	-	-	-	-	-	-	-	-	-	-	-	-	-
*	090930013	ARTICULATION KIT PVT 1150 E	-	*	-	-	-	-	-	-	-	-	-	-	-	-	-
*	111130041	ARTICULATION KIT PVT 1450	-	-	*	-	-	-	-	-	-	-	-	-	-	-	-
*	212130006	ARTICULATION KIT PVT 1450 E	-	-	-	*	-	-	-	-	-	-	-	-	-	-	-
*	101030019	ARTICULATION KIT 1450 C	-	-	-	-	*	-	-	-	-	-	-	-	-	-	-
*	212130008	ARTICULATION KIT 1450 E C	-	-	-	-	-	*	-	-	-	-	-	-	-	-	-
*	111130041	ARTICULATION KIT PVT 1550	-	-	-	-	-	-	*	-	-	-	-	-	-	-	-
*	212130006	ARTICULATION KIT PVT 1550 E	-	-	-	-	-	-	-	*	-	-	-	-	-	-	-
*	101030019	ARTICULATION KIT 1550 C	-	-	-	-	-	-	-	-	*	-	-	-	-	-	-
*	222230004	ARTICULATION KIT 1550 E C	-	-	-	-	-	-	-	-	-	*	-	-	-	-	-
*	121230013	ARTICULATION KIT PVT 1850	-	-	-	-	-	-	-	-	-	-	*	-	-	-	-
*	222230004	ARTICULATION KIT PVT 1850 E	-	-	-	-	-	-	-	-	-	-	-	*	-	-	-
*	131330008	ARTICULATION KIT PVT 2250	-	-	-	-	-	-	-	-	-	-	-	-	*	-	-
*	141430007	ARTICULATION KIT PVT 2250 E	-	-	-	-	-	-	-	-	-	-	-	-	-	*	-
*	191930001	ARTICULATION KIT PVT 3000	-	-	-	-	-	-	-	-	-	-	-	-	-	-	*

**HYDRAULIC KIT**



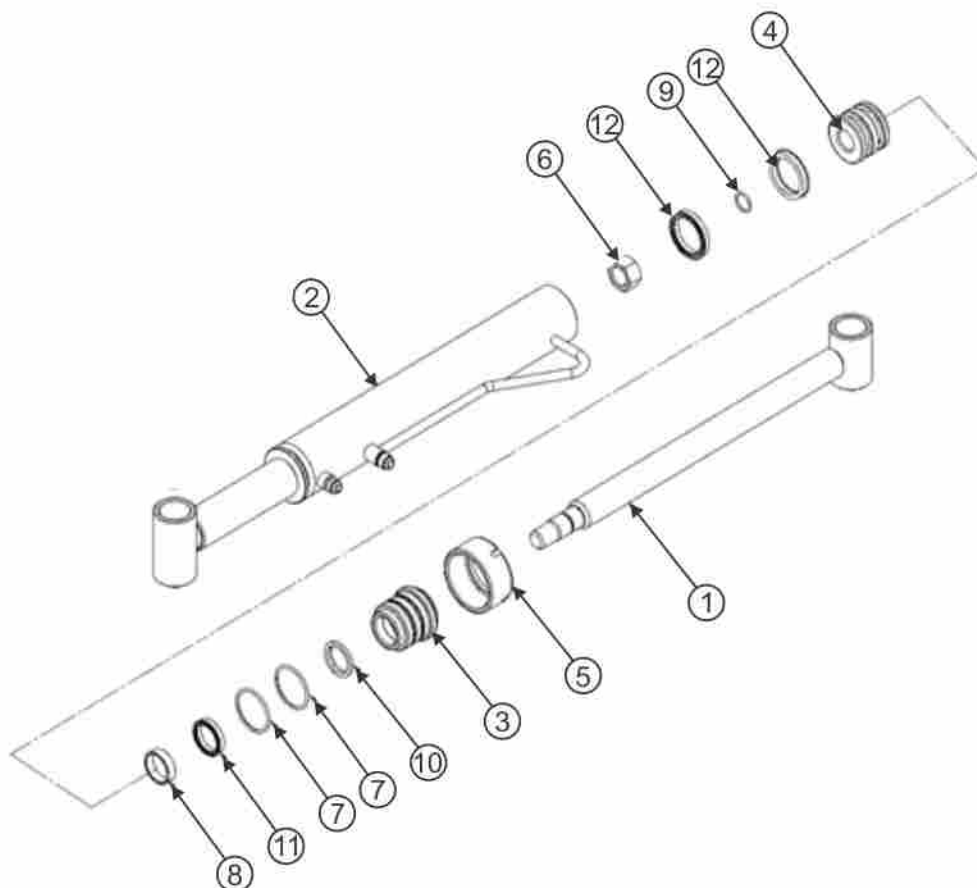




**HYDRAULIC KIT - PVT 1150/PVT 1150 E/PVT 1450/PVT 1450 E/PVT 1450 C/PVT 1450 E C/ PVT 1550/PVT 1550 E/PVT 1550 C/PVT 1550 E C / PVT 1850/ PVT 1850E/ PVT 2250/ PVT 2250 E/ PVT 3000**

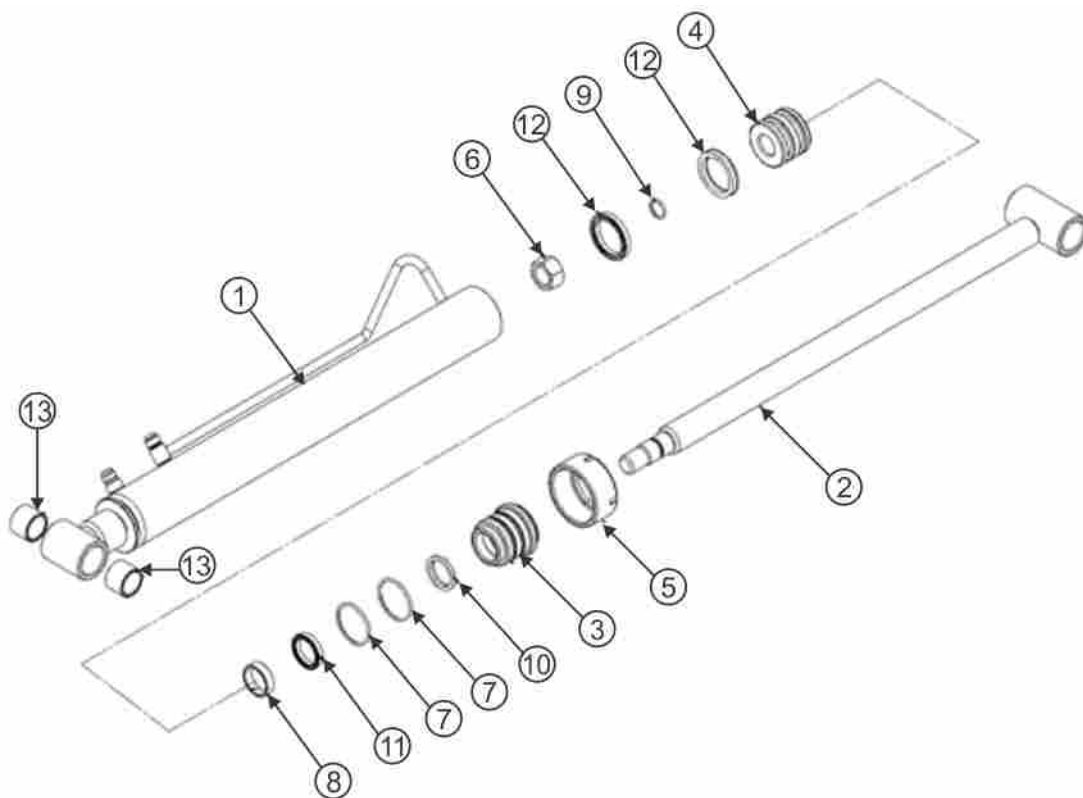
REF.	CODE	DESIGNATION	QTY./ MACHINE														
			1150	1150 E	1450	1450 E	1450 C	1450 E C	1550	1550 E	1550 C	1550 E C C	1850	1850 E	2250	2250 E	3000
1	111130002	CM HOSE 1/2" x 4000mm FEMALE M24	2	2	2	2	2	2	2	2	2	2	2	2	2	2	2
2	111130003	CM HOSE 1/2" x 4000mm MALE M24	2	2	2	2	2	2	2	2	2	2	2	2	2	2	2
3	900160003	MALE QUICK HITCH	4	4	4	4	-	-	4	4	-	-	4	4	4	4	4
4	111130026	LEFT LIFT CYLINDER	-	-	1	1	1	1	1	1	1	1	-	-	-	-	-
4	101030010	LEFT LIFT CYLINDER	1	1	-	-	-	-	-	-	-	-	-	-	-	-	-
4	121230007	LEFT LIFT CYLINDER	-	-	-	-	-	-	-	-	-	-	1	1	-	-	-
4	131330006	LEFT LIFT CYLINDER	-	-	-	-	-	-	-	-	-	-	-	-	1	1	-
4	191930007	LEFT LIFT CYLINDER	-	-	-	-	-	-	-	-	-	-	-	-	-	-	1
5	111140003	STEEL SLEEVE Ø32mm	16	16	16	16	16	16	16	16	16	16	16	16	16	16	16
6	900260001	GREASER 1/8" GAS 28F"	8	8	8	8	8	8	8	8	8	8	8	8	8	8	8
7	111130004	CJ HOSE 1/2" x 800mm PHD	4	4	4	4	4	4	4	4	4	4	4	4	4	4	4
8	111130027	RIGHT LIFT CYLINDER	-	-	1	1	1	1	1	1	1	1	-	-	-	-	-
8	101030009	RIGHT LIFT CYLINDER	1	1	-	-	-	-	-	-	-	-	-	-	-	-	-
8	121230006	RIGHT LIFT CYLINDER	-	-	-	-	-	-	-	-	-	-	1	1	-	-	-
8	131330005	RIGHT LIFT CYLINDER	-	-	-	-	-	-	-	-	-	-	-	-	1	1	-
8	191930008	RIGHT LIFT CYLINDER	-	-	-	-	-	-	-	-	-	-	-	-	-	-	1
9	111130005	CM HOSE 1/2" x 600mm PHD	4	4	4	4	4	4	4	4	4	4	4	4	4	4	4
10	111130025	FRONT CYLINDER	-	-	2	2	-	-	2	2	-	-	-	-	-	-	-
10	90930007	FRONT CYLINDER	2	2	-	-	-	-	-	-	-	-	-	-	-	-	-
10	121230005	FRONT CYLINDER	-	-	-	-	-	-	-	-	-	-	2	2	2	2	-
10	191930006	FRONT CYLINDER	-	-	-	-	-	-	-	-	-	-	-	-	-	-	2
10	101030011	FRONT CYLINDER	-	-	-	-	2	2	-	-	2	2	-	-	-	-	-
11	900160006	TEE M24	4	4	4	4	4	4	4	4	4	4	4	4	4	4	4
12	900160010	WASHER FOR TUBE 16mm	14	14	14	14	14	14	14	14	14	14	14	14	14	14	14
13	900160009	M24 NUT FOR TUBE 16mm	14	14	14	14	14	14	14	14	14	14	14	14	14	14	14
14	111110046	CONDUCTING TUBE	-	-	2	-	-	-	2	-	-	-	2	2	2	2	2
14	111110104	CONDUCTING TUBE	-	-	-	2	-	-	2	-	-	-	-	-	-	-	-
14	80810012	CONDUCTING TUBE	2	-	-	-	2	-	-	-	2	-	-	-	-	-	-
14	80810017	CONDUCTING TUBE	-	2	-	-	-	2	-	-	-	2	-	-	-	-	-
15	111110047	CONDUCTING TUBE. 16 X 1,5P	-	-	2	2	-	-	2	2	-	-	2	2	2	2	2
15	80810014	CONDUCTING TUBE. 16 x 1,5p	2	2	-	-	2	2	-	-	2	2	-	-	-	-	-
16	111110048	TUBE	2	2	2	2	2	-	2	2	2	-	2	2	2	2	2
16	111110084	TUBE 16 x 1,5p	-	2	-	-	-	2	-	-	-	2	-	-	-	-	-
17	900160007	KNEE M24 TUBE 16mm	4	4	4	4	4	4	4	4	4	4	4	4	4	4	4
*	90930012	ARTICULATION KIT PVT 1150	*	-	-	-	-	-	-	-	-	-	-	-	-	-	-
*	90930013	ARTICULATION KITPVT 1150 E	-	*	-	-	-	-	-	-	-	-	-	-	-	-	-
*	111130041	ARTICULATION KIT PVT 1450	-	-	*	-	-	-	-	-	-	-	-	-	-	-	-
*	212130006	ARTICULATION KITPVT 1450 E	-	-	-	*	-	-	-	-	-	-	-	-	-	-	-
*	101030019	ARTICULATION KIT 1450 C	-	-	-	-	*	-	-	-	-	-	-	-	-	-	-
*	212123008	ARTICULATION KIT 1450 E C	-	-	-	-	-	*	-	-	-	-	-	-	-	-	-
*	111130041	ARTICULATION KIT PVT 1550	-	-	-	-	-	-	*	-	-	-	-	-	-	-	-
*	212130006	ARTICULATION KITPVT 1550 E	-	-	-	-	-	-	-	*	-	-	-	-	-	-	-
*	101030019	ARTICULATION KIT 1550 C	-	-	-	-	-	-	-	-	*	-	-	-	-	-	-
*	21213008	ARTICULATION KIT 1550 E C	-	-	-	-	-	-	-	-	-	*	-	-	-	-	-
*	121230013	ARTICULATION KIT PVT 1850	-	-	-	-	-	-	-	-	-	-	*	-	-	-	-
*	222230004	ARTICULATION KITPVT 1850 E	-	-	-	-	-	-	-	-	-	-	-	*	-	-	-
*	131330008	ARTICULATION KIT PVT 2250	-	-	-	-	-	-	-	-	-	-	-	-	*	-	-
*	141430007	ARTICULATION KITPVT 2250 E	-	-	-	-	-	-	-	-	-	-	-	-	-	*	-
*	191930001	ARTICULATION KIT PVT 3000	-	-	-	-	-	-	-	-	-	-	-	-	-	-	*

**FRONT CYLINDER - PVT 1150 / PVT 1150 E**



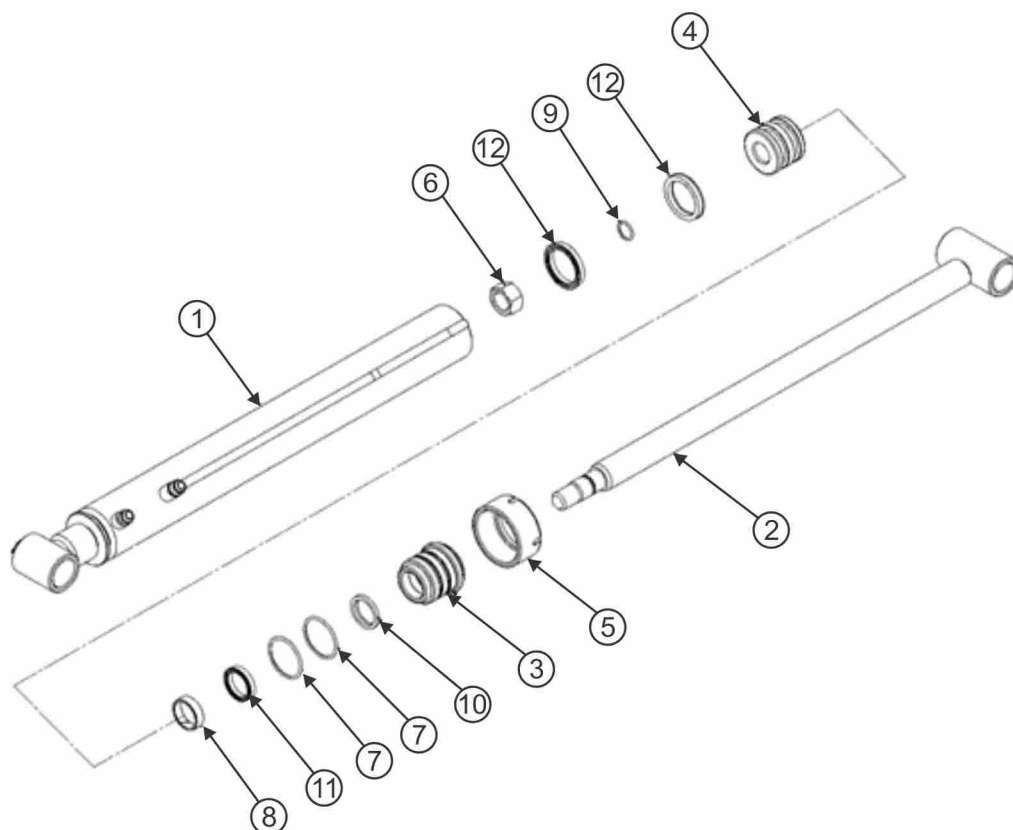
REF.	CODE	DESIGNATION	QTY./ SET
1	90920014	CH-CS FRONT 1150/ ROD	1
2	90920015	CH-CS FRONT 1150 / TUBE	1
3	50310001	GUIDE LID	1
4	50410002	PISTON	1
5	50810002	NUT F/ TUBE M76	1
6	901160062	NUT 1" X 14F	1
7	900160071	O-RING 2227	2
8	900160117	GUIDE W2-1750-500	1
9	900160096	O-RING 7358	1
10	900160065	SCRAPPER D-1500	1
11	900160061	GASKET 1870 1500 375	1
12	900160058	GASKET 2500 2000 375	2
*	<b>090930007</b>	<b>FRONT CYLINDER</b>	<b>*</b>

**RIGHT SIDE CYLINDER - PVT 1150 / PVT 1150 E**



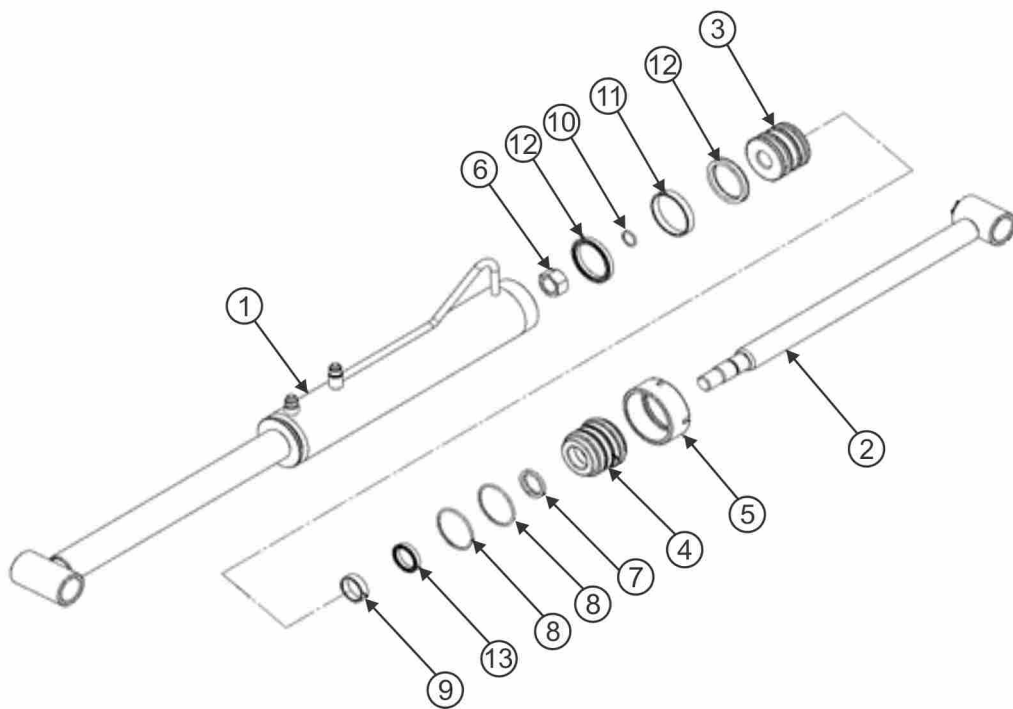
REF.	CODE	DESIGNATION	QTY./ SET
1	101020013	CH-CS SIDE PHD 1150 / RIGHT TUBE	1
2	101020012	CH-CS LATERAL PHD 1150 / ROD	1
3	50310001	GUIDE LID	1
4	50410002	PISTON	1
5	50810002	NUT F/ TUBE M76	1
6	901160062	NUT 1" 14F"	1
7	900160071	O-RING 2227	2
8	900160117	GUIDE W2-1750-500	1
9	900160096	O-RING 7358	1
10	900160065	SCRAPPER D-1500	1
11	900160061	GASKET 1870 1500 375	1
12	900160058	GASKET 2500 2000 375	2
12	900160058	GASKET 2500 2000 375	2
*	<b>101030009</b>	<b>RIGHT SIDE CYLINDER</b>	*

**LEFT LIFT CYLINDER - PVT 1150 / PVT 1150 E**



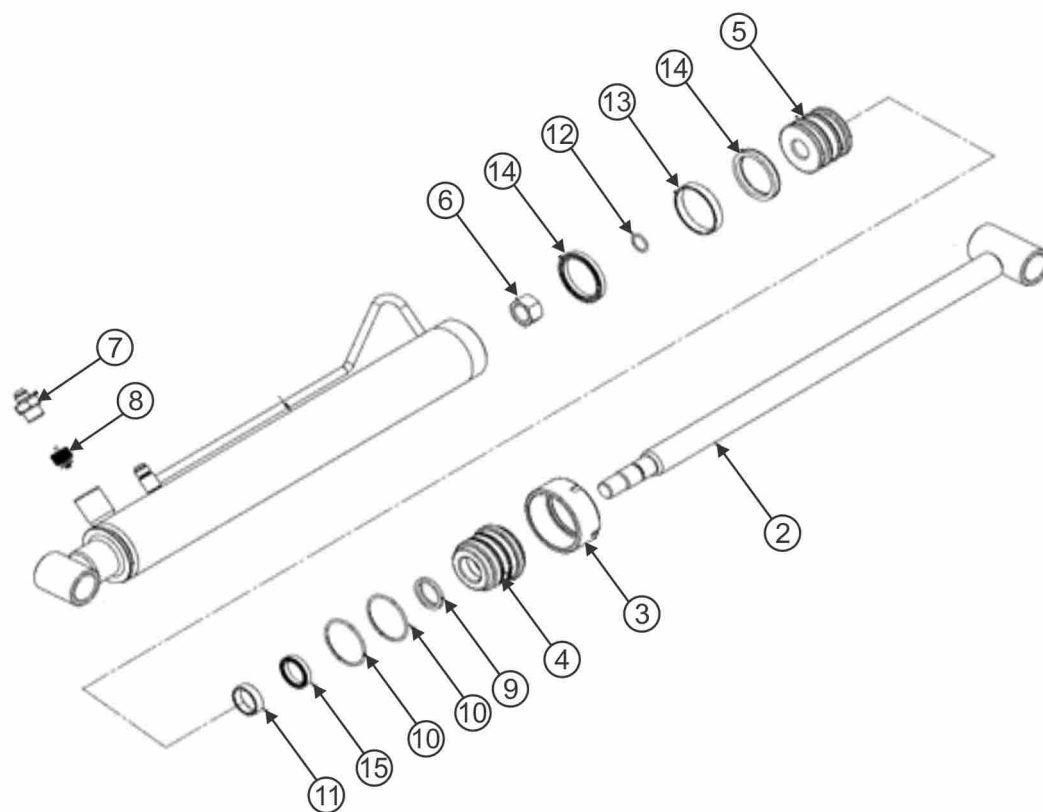
REF.	CODE	DESIGNATION	QTY./ SET
1	101020014	CH- CS SIDE PVT 1150 / LEFT TUBE	1
2	101020012	CH- CS SIDE PVT 1150 / ROD	1
3	50310001	GUIDE LID	1
4	50410002	PISTON	1
5	50810002	NUT F/ TUBE M76	1
6	901160062	NUT 1" 14F/"	1
7	900160071	O-RING 2227	2
8	900160117	GUIDE W2-1750-500	1
9	900160096	O-RING 7358	1
10	900160065	SCRAPPER D-1500	1
11	900160061	GASKET 1870 1500 375	1
12	900160058	GASKET 2500 2000 375	2
*	<b>101030010</b>	<b>LEFT SIDE CYLINDER</b>	<b>*</b>

**FRONT CYLINDER- PVT 1450 / PVT 1550 / PVT 1450 E / PVT 1550 E**



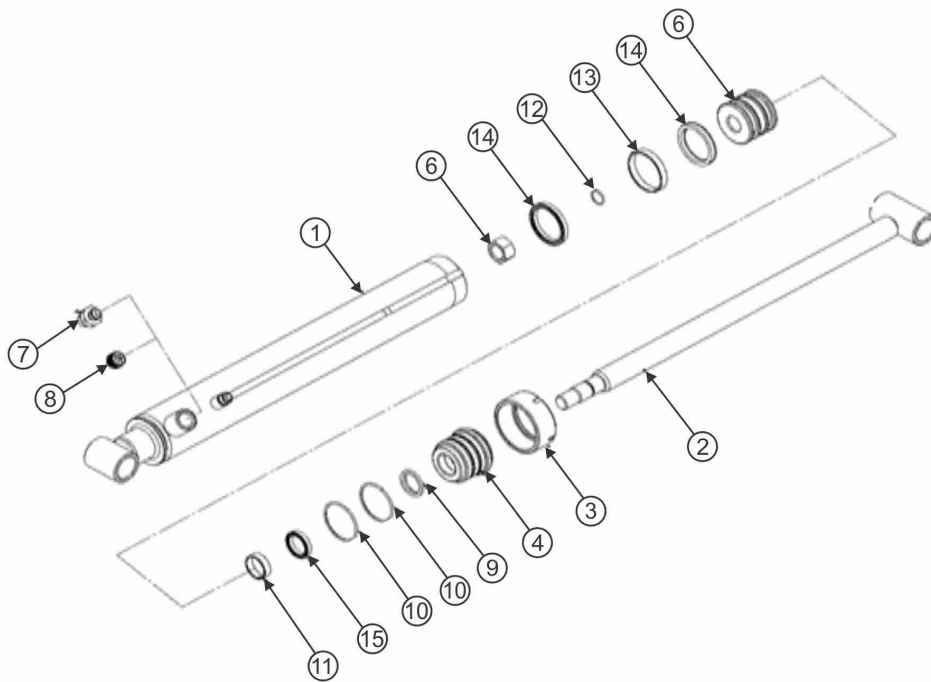
REF.	CODE	DESIGNATION	QTY./ SET
1	111120042	CH-CS FRONT PHD 1550 / TUBE	1
2	111120041	CH-CS FRONT PHD 1550 / ROD	1
3	50410003	PISTON	1
4	50310006	GUIDE LID	1
5	50810004	NUT F/ TUBE	1
6	901160062	NUT 1" X 14F	1
7	900160065	SCRAPPER D-1500	1
8	900160070	O-RING 2231	2
9	900160117	GUIDE W2-1750-500	1
10	900160096	O-RING 7358	1
11	900160068	GUIDE W2-3000-500	1
12	900160062	GASKET 2500 2500 375	2
13	900160061	GASKET 1870 1500 375	1
*	111130025	FRONT CYLINDER	*

**RIGHT LIFT CYLINDER - PVT 1450/PVT 1550/PVT 1450 E/PVT 1550E/PVT 1450 C/PVT 1550C/PVT 1450 E C / PVT 1550 E C**



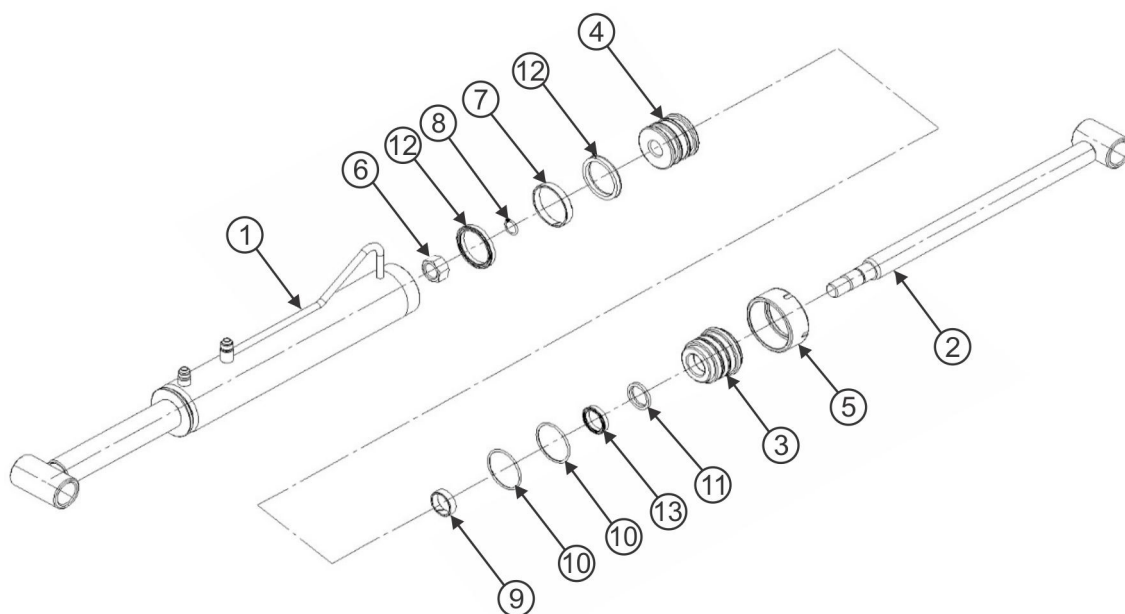
REF.	CODE	DESIGNATION	QTY./ SET
1	111120044	CH-CS SIDE PVT 1550 /RIGHT TUBE	1
2	111120043	CH-CS SIDE PVT 1550 / ROD	1
3	050810004	NUT F/ TUBE	1
4	050310006	GUIDE LID	1
5	050410003	PISTON	1
6	901160062	NUT 1" X 14F	1
7	000000029	ADP. 3/4" 14F BSP P/ 3/4" JIC	1
8	000000019	VALVE	1
9	900160065	SCRAPPER D-1500	1
10	900160070	O-RING 2231	2
11	900160117	GUIDE W2-1750-500	1
12	900160096	O-RING 7358	1
13	900160068	GUIDE W2-3000-500	1
14	900160062	GASKET 2500 2500 375	2
15	900160061	GASKET 1870 1500 375	1
*	111130027	RIGHT LIFT CYLINDER	*

**LEFT LIFT CYLINDER - PVT 1450/PVT 1550/PVT 1450 E/PVT 1550 E/  
PVT 1450 C/ PVT 1550 C / PVT 1450 E C/ PVT 1550 E C**



REF.	CODE	DESIGNATION	QTY./ SET
1	111120045	CH-CS SIDE PVT 1550 /RIGHT TUBE	1
2	111120043	CH-CS PVT 1550 / ROD	1
3	050810004	NUT F/ TUBE	1
4	050310006	GUIDE LID	1
5	050410003	PISTON	1
6	901160062	NUT 1" X 14F	1
7	000000029	ADP. 3/4" 14F BSP P/ 3/4" JIC	1
8	000000019	VALVE	1
9	900160065	SCRAPPER D-1500	1
10	900160070	O-RING 2231	2
11	900160117	GUIDE W2-1750-500	1
12	900160096	O-RING 7358	1
13	900160068	GUIDE W2-3000-500	1
14	900160062	GASKET 2500 2500 375	2
15	900160061	GASKET 1870 1500 375	1
*	<b>111130026</b>	<b>LEFT LIFT CYLINDER</b>	<b>*</b>

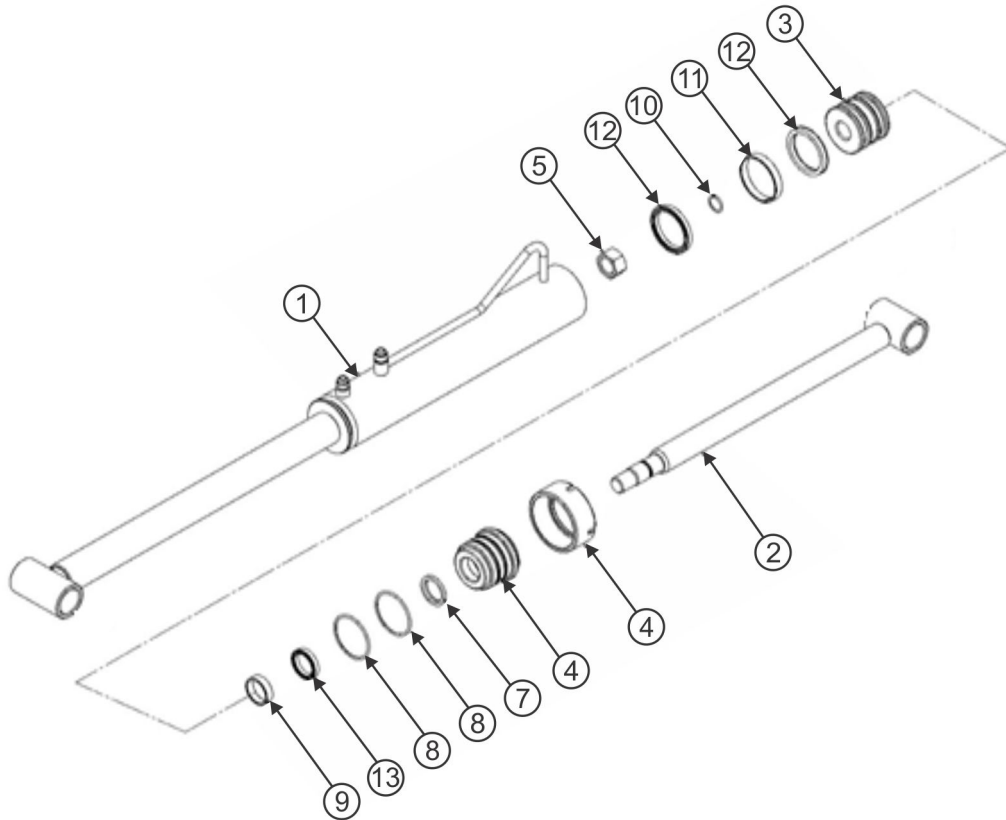
**FRONT CYLINDER - PVT 1450 C / PVT 1550 C / PVT 1450 E C / PVT 1550 E C**



REF.	CODE	DESIGNATION	QTY./ SET
1	101020016	CH-CS FRONT PVT 1450/1550 COMPACT-TUBE	1
2	101020015	CH-CS FRONT PVT 1450/1550 COMPACT-ROD	1
3	50310006	GUIDE LID	1
4	50410003	PISTON	1
5	50810004	NUT F/ TUBE	1
6	901160062	NUT 1" X 14F	1
7	900160068	GUIDE W2-3000-500	1
8	900160096	O-RING 7358	1
9	900160117	GUIDE W2-1750-500	1
10	900160070	O-RING 2231	2
11	900160065	SCRAPPER D-1500	1
12	900160062	GASKET 2500 2500 375	2
13	900160061	GASKET 1870 1500 375	1
*	<b>101030011</b>	<b>FRONT CYLINDER</b>	<b>*</b>

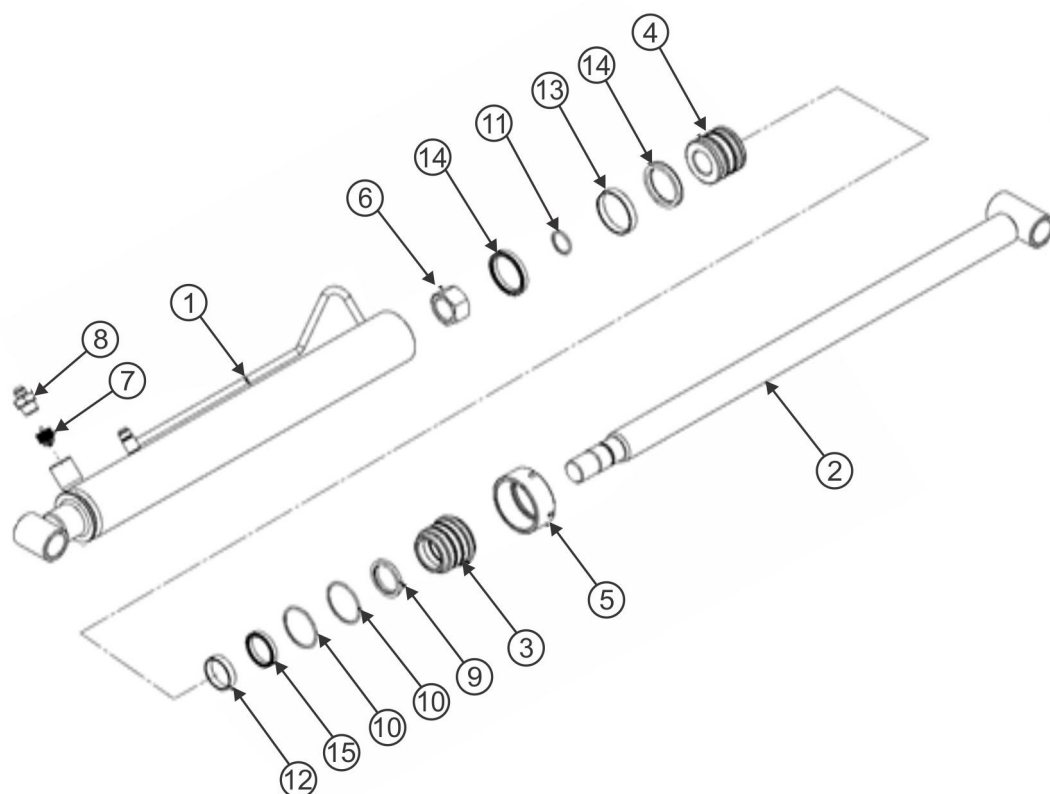


**FRONT CYLINDER - PVT 1850/ PVT 2250 / PVT 1850 E / PVT 2250 E**



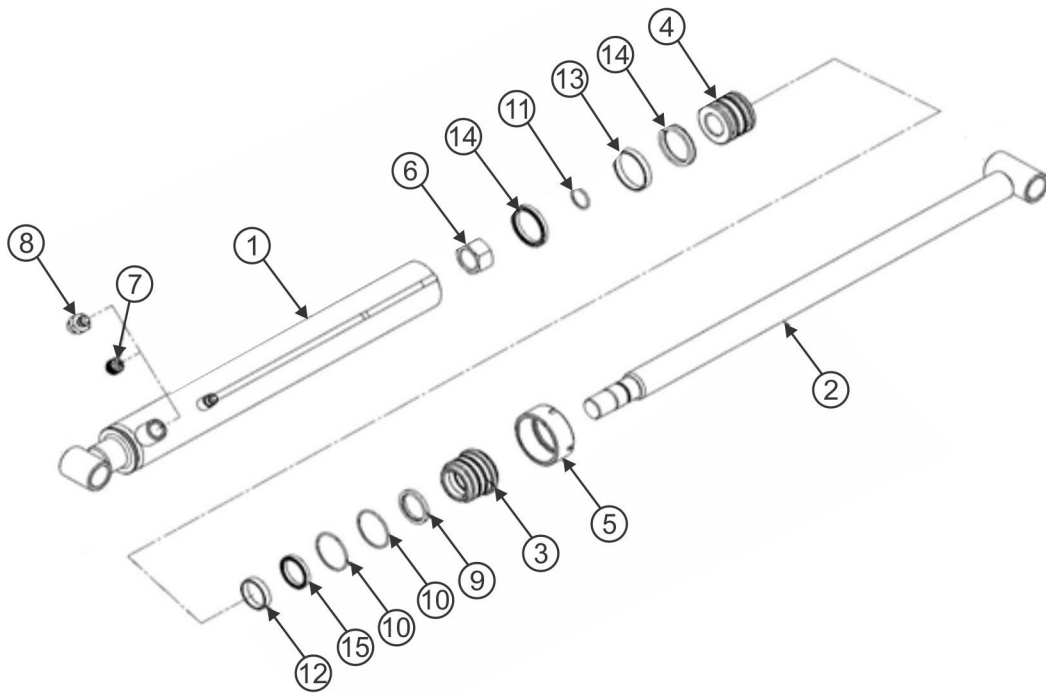
REF.	CODE	DESIGNATION	QTY./ SET
1	121220009	CH-CS PVT 1850 FRONT / TUBE	1
2	121220008	CH-CS PVT 1850 FRONT / ROD	1
3	50410003	PISTON	1
4	50310006	GUIDE LID	1
5	901160062	NUT 1" X 14F	1
6	50810004	NUT F/ TUBE	1
7	900160065	SCRAPPER D-1500	1
8	900160070	O-RING 2231	2
9	900160117	GUIDE W2-1750-500	1
10	900160096	O-RING 7358	1
11	900160068	GUIDE W2-3000-500	1
12	900160062	GASKET 2500 2500 375	2
13	900160061	GASKET 1870 1500 375	1
*	<b>121230005</b>	<b>FRONT CYLINDER</b>	<b>*</b>

**RIGHT LIFT CYLINDER - PVT 1850 / PVT 1850 E**



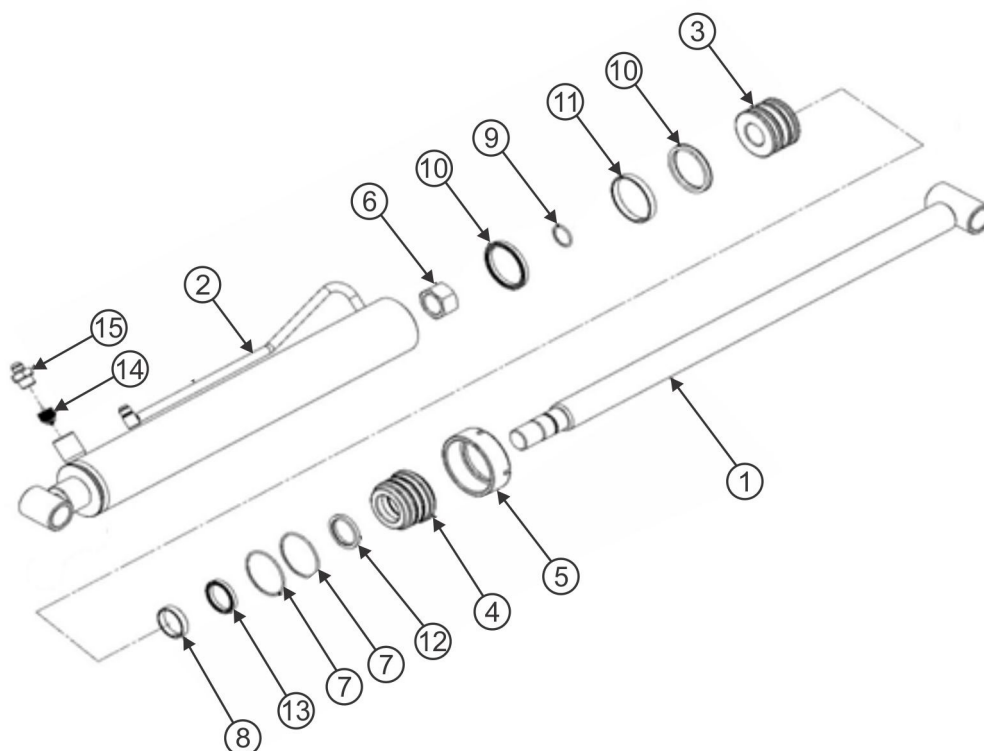
REF.	CODE	DESIGNATION	QTY./ SET
1	121220011	CH-CS PVT 1850 SIDE / RIGHT TUBE	1
2	121220010	CH-CS PVT 1850 SIDE / ROD	1
3	050310007	GUIDE LID	1
4	050410006	PISTON	1
5	050810004	NUT F/ TUBE	1
6	901160021	NUT 1.1/2" 12F	1
7	000000019	VALVE	1
8	000000029	ADP. 3/4" 14F BSP P/ 3/4" JIC	1
9	900160066	SCRAPPER D-2000	1
10	900160070	O-RING 2231	2
11	900160183	O-RING 2220	1
12	900160116	GUIDE W2-2250-500	1
13	900160068	GUIDE W2-3000-500	1
14	900160062	GASKET 2500 2500 375	2
15	900160060	GASKET 1870 2000 375	1
*	<b>121230006</b>	<b>RIGHT LIFT CYLINDER</b>	*

**LEFT LIFT CYLINDER- PVT 1850 / PVT 1850 E**



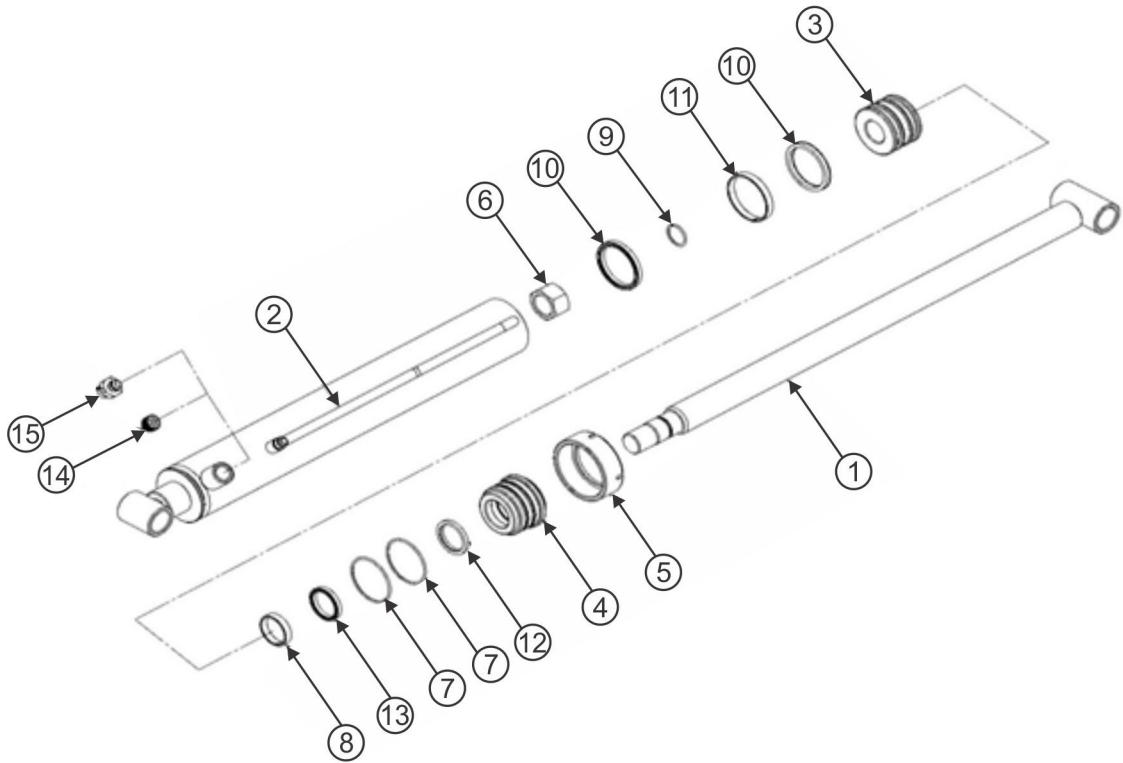
REF.	CODE	DESIGNATION	QTY./ SET
1	121220011	CH-CS PVT 1850 SIDE / RIGHT TUBE	1
2	121220010	CH-CS PVT 1850 SIDE / ROD	1
3	050310007	GUIDE LID	1
4	050410006	PISTON	1
5	050810004	NUT F/ TUBE	1
6	901160021	NUT 1.1/2" 12F	1
7	000000019	VALVE	1
8	000000029	ADP. 3/4" 14F BSP P/ 3/4" JIC	1
9	900160066	SCRAPPER D-2000	1
10	900160070	O-RING 2231	2
11	900160183	O-RING 2220	1
12	900160116	GUIDE W2-2250-500	1
13	900160068	GUIDE W2-3000-500	1
14	900160062	GASKET 2500 2500 375	2
15	900160060	GASKET 1870 2000 375	1
*	<b>121230007</b>	<b>LEFT LIFT CYLINDER</b>	<b>*</b>

**RIGHT LIFT CYLINDER - PVT 2250 / PVT 2250 E**



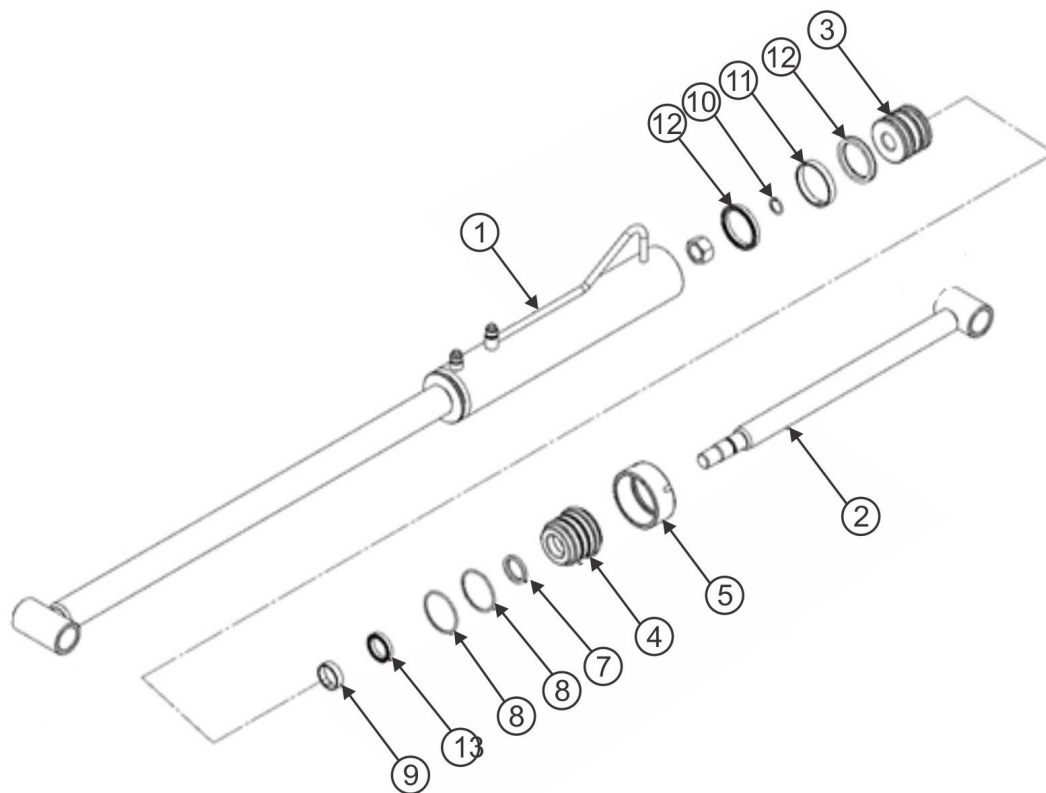
REF.	CODE	DESIGNATION	QTY./ SET
1	121220010	CH-CS PVT 1850/2250 SIDE / ROD	1
2	131320006	CH-CS SIDE PVT 2250/ RIGHT TUBE	1
3	050410004	PISTON	1
4	050310004	GUIDE LID	1
5	050810005	NUT F/ TUBE	1
6	901160021	NUT 1.1/2" 12F	1
7	900160097	O-RING 2235	2
8	900160116	GUIDE W2-2250-500	1
9	900160183	O-RING 2220	1
10	900160119	GASKET 2500 3000 375	2
11	900160098	GUIDE W2-3500-500	1
12	900160066	SCRAPPER D-2000	1
13	900160060	GASKET 1870 2000 375	1
14	000000019	VALVE	1
15	000000029	ADP. 3/4" 14F BSP P/ 3/4" JIC	1
*	<b>131330005</b>	<b>RIGHT LIFT CYLINDER</b>	*

**LEFT LIFT CYLINDER - PVT 2250 / PVT 2250 E**



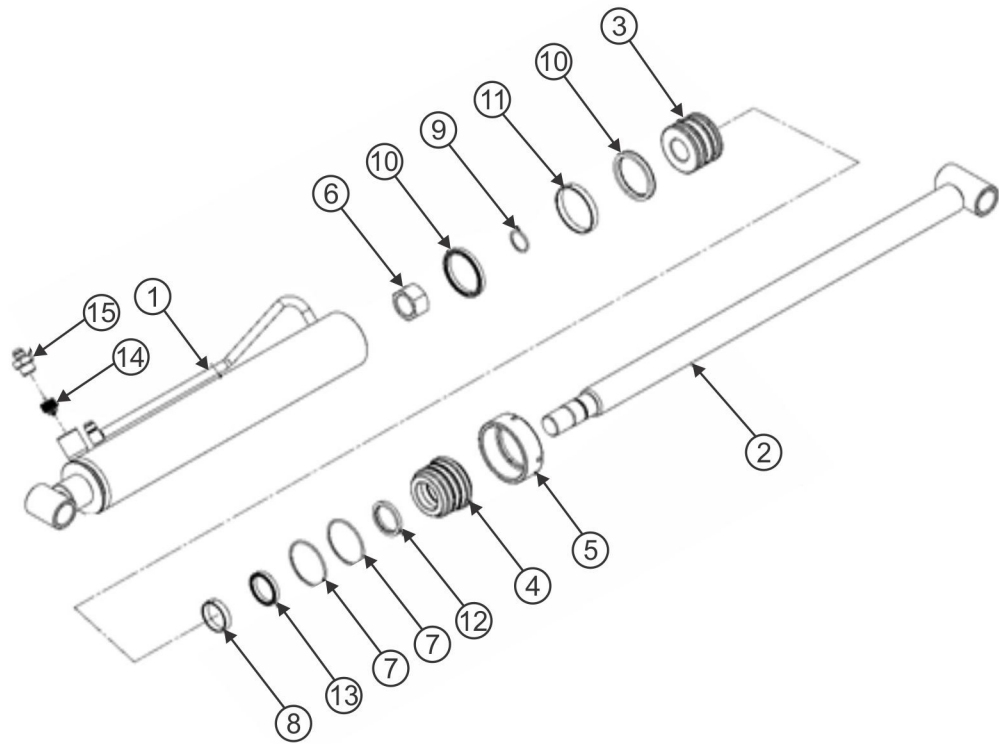
REF.	CODE	DESIGNATION	QTY./ SET
1	121220010	CH-CS PVT 1850/2250 SIDE / ROD	1
2	131320007	CH-CS SIDE PVT 2250/ LEFT TUBE	1
3	050410004	PISTON	1
4	050310004	GUIDE LID	1
5	050810005	NUT F/ TUBE	1
6	901160021	NUT 1.1/2" 12F	1
7	900160097	O-RING 2235	2
8	900160116	GUIDE W2-2250-500	1
9	900160183	O-RING 2220	1
10	900160119	GASKET 2500 3000 375	2
11	900160098	GUIDE W2-3500-500	1
12	900160066	SCRAPPER D-2000	1
13	900160060	GASKET 1870 2000 375	1
14	000000019	VALVE	1
15	000000029	ADP. 3/4" 14F BSP P/ 3/4" JIC	1
*	<b>131330006</b>	<b>LEFT LIFT CYLINDER</b>	<b>*</b>

### FRONT CYLINDER - PVT 3000



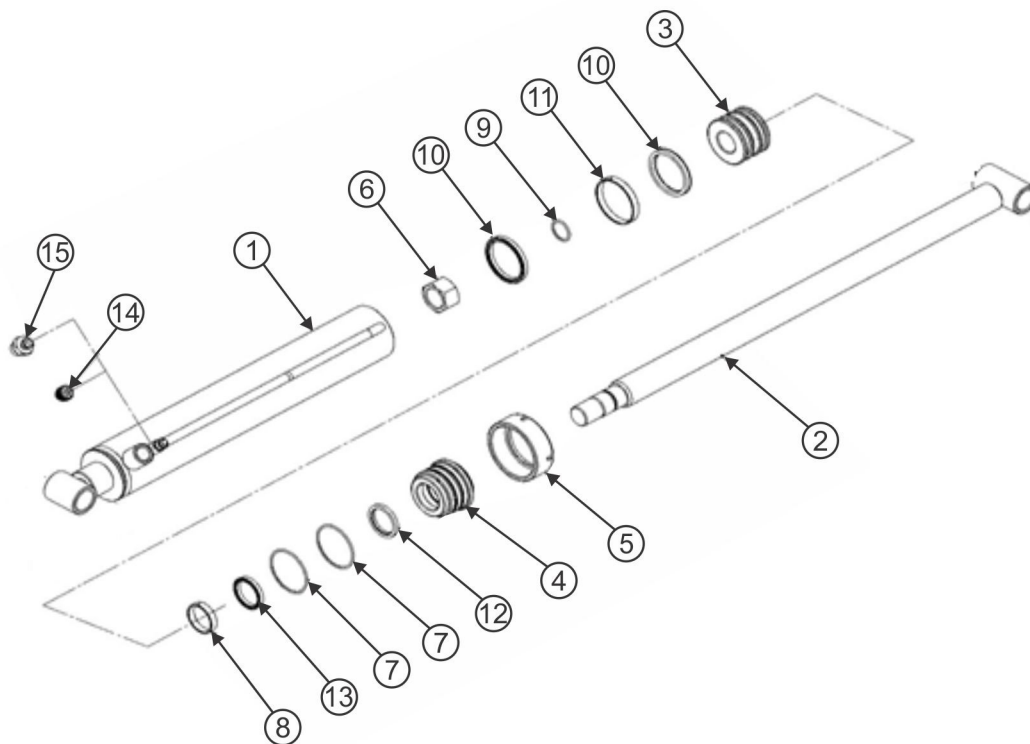
REF.	CODE	DESIGNATION	QTY./ SET
1	191920008	CH- FRONT HYDRAULIC CYLINDER PHD 3000 / TUBE	1
2	121220008	CH-CS PVT 1850/2250/3000 FRONT / ROD	1
3	050410003	PISTON	1
4	050310006	GUIDE LID	1
5	050810004	NUT F/ TUBE	1
6	901160062	NUT 1" X 14F	1
7	900160065	SCRAPPER D-1500	1
8	900160070	O-RING 2231	2
9	900160117	GUIDE W2-1750-500	1
10	900160096	O-RING 7358	1
11	900160068	GUIDE W2-3000-500	1
12	900160062	GASKET 2500 2500 375	2
13	900160061	GASKET 1870 1500 375	1
*	<b>191930006</b>	<b>FRONT CYLINDER</b>	<b>*</b>

**RIGHT LIFT CYLINDER - PVT 3000**



REF.	CODE	DESIGNATION	QTY./SET
1	191920010	RIGHT SIDE HYDRAULIC CYLINDER PVT 3000/TUBE	1
2	121220010	CH-CS PVT 1850/2250/3000 SIDE / ROD	1
3	050410004	PISTON	1
4	050310004	GUIDE LID	1
5	050810005	NUT F/ TUBE	1
6	901160021	NUT 1.1/2" 12F	1
7	900160097	O-RING 2235	2
8	900160116	GUIDE W2-2250-500	1
9	900160183	O-RING 2220	1
10	900160119	GASKET 2500 3000 375	2
11	900160098	GUIDE W2-3500-500	1
12	900160066	SCRAPPER D-2000	1
13	900160060	GASKET 1870 2000 375	1
14	000000019	VALVE	1
15	000000029	ADP. 3/4" 14F BSP P/ 3/4" JIC	1
*	<b>191930008</b>	<b>RIGHT LIFT CYLINDER</b>	<b>*</b>

### LEFT LIFT CYLINDER - PVT 3000



REF.	CODE	DESIGNATION	QTY./ SET
1	191920011	LEFT SIDE HYDRAULIC CYLINDER PVT 3000	1
2	121220010	CH-CS PVT 1850/2250/3000 SIDE / ROD	1
3	050410004	PISTON	1
4	050310004	GUIDE LID	1
5	050810005	NUT F/ TUBE	1
6	901160021	NUT 1.1/2" 12F	1
7	900160097	O-RING 2235	2
8	900160116	GUIDE W2-2250-500	1
9	900160183	O-RING 2220	1
10	900160119	GASKET 2500 3000 375	2
11	900160098	GUIDE W2-3500-500	1
12	900160066	SCRAPPER D-2000	1
13	900160060	GASKET 1870 2000 375	1
14	000000019	VALVE	1
15	000000029	ADP. 3/4" 14F BSP P/ 3/4" JIC	1
*	<b>191930007</b>	<b>LEFT LIFT CYLINDER</b>	<b>*</b>